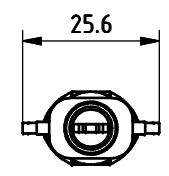
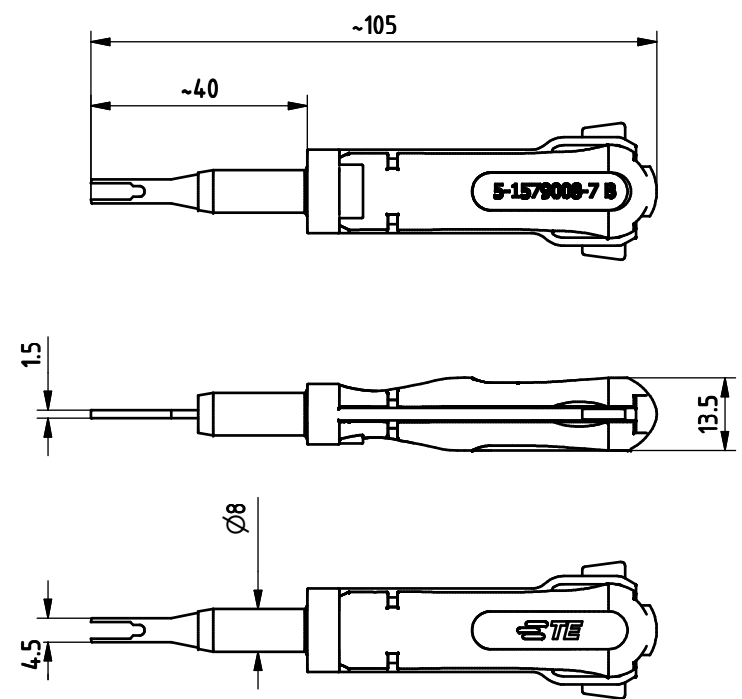
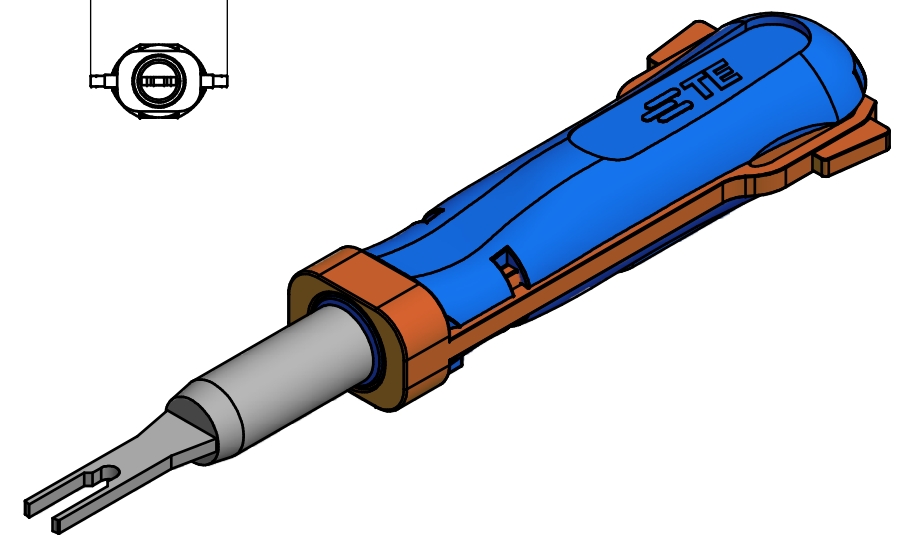


LOC	DIST	REVISIONS					
AI	00	P	LTR	DESCRIPTION	DATE	DWN	APVD
		B1		ECR-16-014004	13OCT16	KH	BM



( 2:1 )



**APPLICATION RANGE / Anwendungsbereich:**

FOR CONTACT MCP 2,8 :  
 968855, 968857,  
 FOR HOUSING MCP 2,8 :  
 1801286-x, 1801326-x

THIS DRAWING IS A CONTROLLED DOCUMENT.		DWN	L.Sandhu		29.07.2009
DIMENSIONS: mm		CHK	S. Samstag		13.08.2009
TOLERANCES UNLESS OTHERWISE SPECIFIED:		APVD	S. Samstag		13.08.2009
0 PLC ± 1 PLC ±±± 2 PLC ±±±± 3 PLC ±±±±± 4 PLC ±±±±±± ANGLES ±		NAME		EXTRACTION TOOL Entriegelungswerkzeug	
MATERIAL		FINISH		SIZE	A3
0 PLC ± 1 PLC ±±± 2 PLC ±±±± 3 PLC ±±±±± 4 PLC ±±±±±± ANGLES ±		Gewicht / Weight in Kg		CAGE CODE	00779
0 PLC ± 1 PLC ±±± 2 PLC ±±±± 3 PLC ±±±±± 4 PLC ±±±±±± ANGLES ±		0.017 kg		DRAWING NO	5-1579008-7
0 PLC ± 1 PLC ±±± 2 PLC ±±±± 3 PLC ±±±±± 4 PLC ±±±±±± ANGLES ±		CUSTOMER DRAWING		RESTRICTED TO	
0 PLC ± 1 PLC ±±± 2 PLC ±±±± 3 PLC ±±±±± 4 PLC ±±±±±± ANGLES ±		SCALE		SHEET	1 OF 1
0 PLC ± 1 PLC ±±± 2 PLC ±±±± 3 PLC ±±±±± 4 PLC ±±±±±± ANGLES ±		REV		B1	