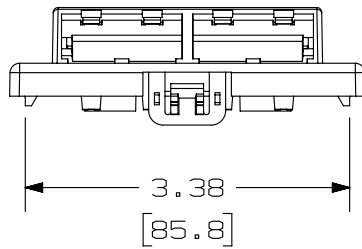
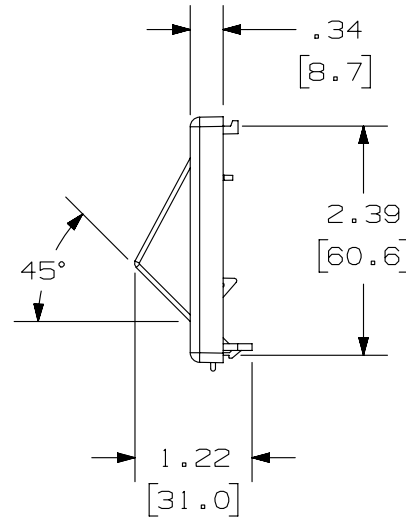
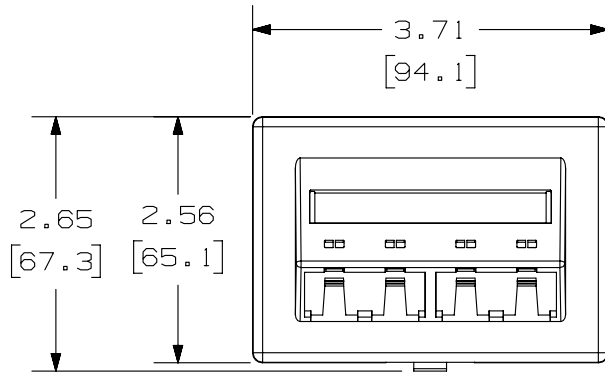


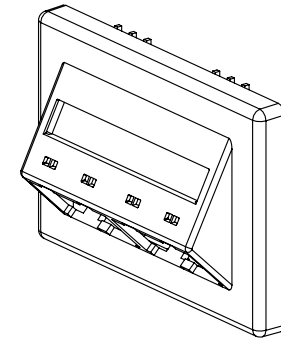
THIS COPY IS PROVIDED ON A RESTRICTED BASIS AND IS NOT TO BE USED IN ANY WAY DETRIMENTAL TO THE INTERESTS OF PANDUIT CORP.

PANDUIT P/N	WEIGHT
CFFPEBSL4**	.40 LB/10 PCS (182.1 g/10 PCS)



NOTES:

- SEE CURRENT CATALOG FOR ADDITIONAL PART NUMBER SUFFIXES TO INDICATE COLOR AND OR PACKAGE QUANTITY.
- SEE CATALOG FOR COMPLETE LIST OF PARTS APPLICABLE FOR USE WITH THIS PART.
- DIMENSIONS IN [ ] ARE IN METRIC.
- CFFPEBSL4\*\* INCLUDES:
  - 1- LABEL
  - 1- LABEL COVER
  - 1- FACEPLATE
- FACEPLATE SNAPS INTO A RANGE OF FURNITURE OPENINGS:
  - HEIGHT: 2.37" [ 60.2 ] TO 2.38" [ 60.6 ]
  - WIDTH: 3.42" [ 86.9 ] TO 3.44" [ 87.4 ]
  - MAX. MATERIAL THICKNESS: .050" [ 1.3 ]



PART NUMBER		CFFPEBSL4**	
TITLE			
MINI-COM 4 POSITION SLOPED FURNITURE FACEPLATE FOR HERMAN MILLER BELTLINE SERIES			
CUSTOMER DRAWING			
ITEM REVISION NAME		M00795BA/08	
DATASET FILE NAME		M00795BA_DC/08D	
UNLESS OTHERWISE SPECIFIED, DIMENSIONAL TOLERANCES ARE: IN [ mm ]		MATERIAL:	
.x ± .xxx ± .010 [ .3 ]		ABS	
.xx ± .03 [ .8 ]		DRAWING NUMBER:	
ANGLES ±		00795-02	
THIRD ANGLE PROJECTION		SHT 1 OF 1	
DRAWN BY	DATE	CHK	SCALE
JSP	1-28-00	SEZ	NONE
REV	DATE	BY	CHK
3	3/18/14	JSP	REFR
APR	DESCRIPTION		ECN
MMR	REVISED AND REDRAWN, PREVIOUS REVISIONS HAVE BEEN OMITTED.		00795-02

D10100DA/14