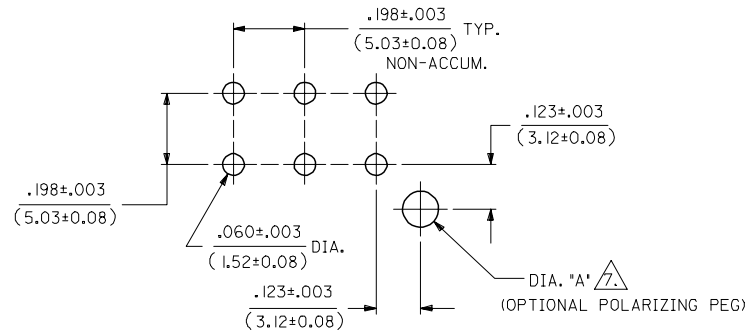
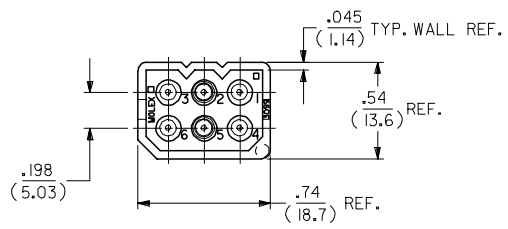
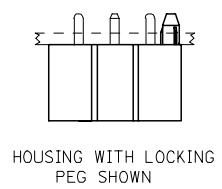
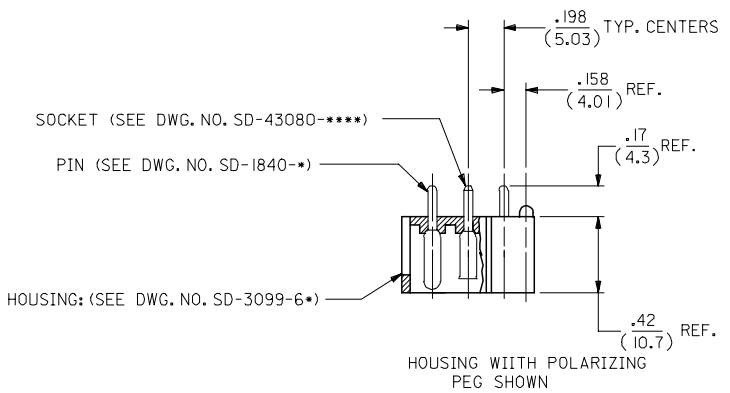


ORDER NO.	ENG. NUMBER	TERMINAL LOCATION (SEE CHART)	MAT'L	PEG TYPE	PLATING (SEE CHART)	DIA 'A'	TERMINAL LOCATION CHART (M=MALE, F=FEMALE, B=BLANK)
10-18-1061	A-3099-P6A	A	V-0	POLARIZING	B	.100±.005 (2.54±0.13)	TERMINAL LOCATION CHART
10-18-1063	A-3099-P6B	B	V-0	POLARIZING	B		CIRCUIT LOCATION
38-00-0589	A-3099-P6C	C	V-0	POLARIZING	B		A
38-00-0590	A-3099-P6D	D	V-0	POLARIZING	B		B
10-18-1064	A-3099-0605	E	V-0	POLARIZING	B		C
10-18-1065	A-3099-0607	F	V-0	POLARIZING	B		D
				LOCKING	B	.103 ±.003/-.002 (2.62 ± 0.08/-0.05)	E
							F

PLATING CODE	PLATING
A	UNPLATED
B	PINS ONLY: OVERALL TIN: .000200/(0.00508) MIN. OVER COPPER: .000100/(0.00254) MIN.
	SOCKETS ONLY: OVERALL TIN: .000050/(0.00127) MIN. OVER NICKEL: .000050/(0.00127) MIN.



- MATERIAL:
HOUSING: UNFILLED POLYESTER, 94V-0, COLOR-BLACK
PIN TERMINAL: CARTRIDGE BRASS
SOCKET TERMINAL: PHOSPHOR BRONZE
- FINISH: SEE TABLE
- PRODUCT SPECIFICATION: N/A
- PACKAGING SPECIFICATION: N/A
- MATES WITH MOLEX 1490 RECEPTACLES AND .093(12.36) SERIES TERMINALS
- ASSEMBLIES TO BE MOUNTED ON SUPPORTED EDGE OF P.C. BOARD
- ONLY REQUIRED WHEN USING PARTS WITH OPTIONAL POLARIZING OR LOCKING PEGS

RECOMMENDED PC BOARD HOLE LAYOUT
(SCALE 4:1)

UPDATE PLATING FC NO: UCP2006-2825 DRAWN: P. RIDER 2006/06/08 CHKD: AELHAG 2006/06/09 APPR: FSM TH 2006/06/12	QUALITY SYMBOLS =0 =0	GENERAL TOLERANCES (UNLESS SPECIFIED)		DIMENSION STYLE		SCALE	DESIGN UNITS	THIRD ANGLE PROJECTION	
		mm	INCH	IN/MM	INCH	2:1	INCH		
M1	REVISION	4 PLACES ± --- ± ---		DRAWN BY	DATE	CONNECTOR ASSEMBLY ENCLOSED WAFER 6 CIRCUIT			
		3 PLACES ± --- ± .010		KBW	1989/05/25				
		2 PLACES ± 0.25 ± .014		CHECKED BY	DATE	MOLEX MOLEX INCORPORATED			
		1 PLACE ± 0.36 ± ---		RW	1989/05/25				
		ANGULAR ±1/2°		APPROVED BY	DATE	SDA-3099-6**			
				RAS	1989/05/25				
		DRAFT WHERE APPLICABLE MUST REMAIN WITHIN DIMENSIONS		MATERIAL NO.		DOCUMENT NO.		SHEET NO.	
				SEE CHART				1 OF 1	
		THIS DRAWING CONTAINS INFORMATION THAT IS PROPRIETARY TO MOLEX INCORPORATED AND SHOULD NOT BE USED WITHOUT WRITTEN PERMISSION							