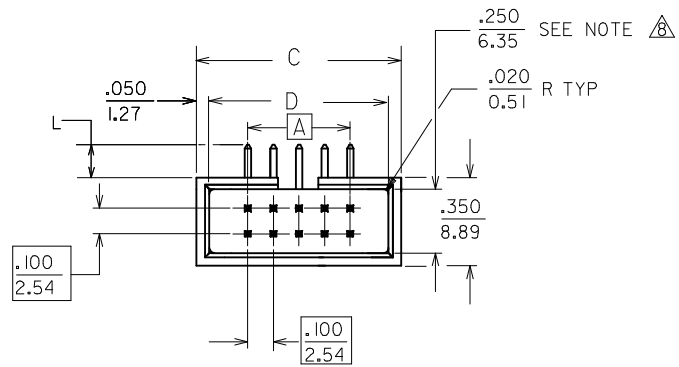
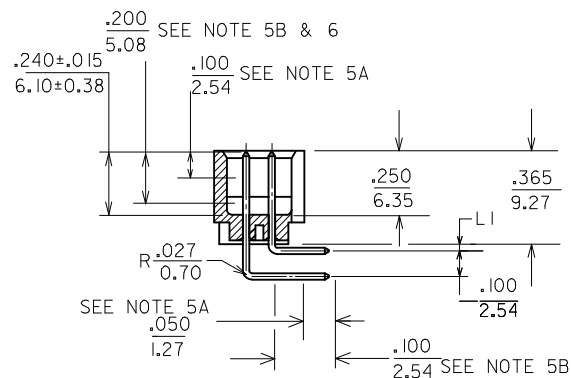
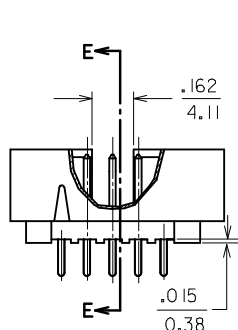
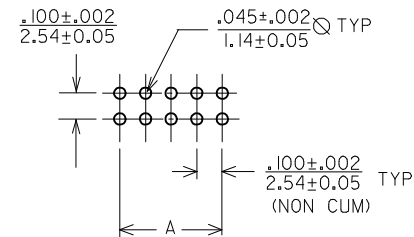


ASSEMBLY PART NO.	CKT SIZE	A	B	C	D	L	LI
70247-0869	08	.300/7.62	.580/14.73	.700/17.78	.600/15.24	.120/3.05	0
70247-3469	34	1.600/40.64	1.880/47.76	2.000/50.80	1.900/48.26	.120/3.05	0
70247-5069	50	2.400/60.96	2.680/68.07	2.800/71.12	2.700/68.58	.120/3.05	0



RECOMMENDED P.C. BOARD HOLE LAYOUT



NOTES:

- PIN PUSHOUT FORCE (.9072KG)/2LBS MIN.
- PIN SOLDERABILITY PER MOLEX SPEC. ES-152
- PRODUCT SPEC: PS-70246 APPLIES.
- WAFER TO BE FLAT WITHIN (0.03MM/CM) 0.003IN/IN
- DIMENSIONS FOR PLATING LOCATION : A-MEASURE POINT FOR THICKNESS. B-MINIMUM COVERAGE
- GOLD END OF PIN UNLESS OVERALL PLATED.
- PLATING : - 15µin MIN AU & 75µin MIN TIN IN SELECTED AREAS. WITH 50µin MIN NICKEL UNDERPLATE OVERALL.

△ DIMENSION AT UPPER CENTER OF THE SHROUDED WALL CAN BE (5.81)/.228.

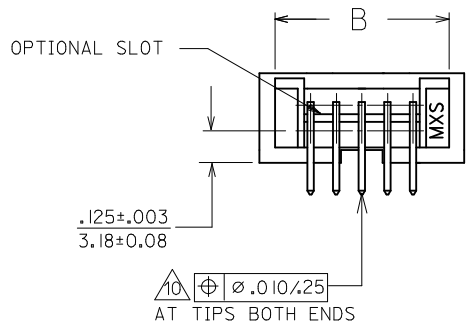
9. MATERIAL:

PINS: .025 SQ. 260 BRASS OR EQUIVALENT.

WAFER: PBT, GLASS FILLED, UL94V-0, COLOUR: BLACK.

△ SOLDERTAIL POSITION TOLERANCE TO BE GAUGED.

SECTION E-E



ADD NOTE 10. EC NO: S2009-0830 DRWN:SKANG CHKD:ATSEE APPR:MLONG	2009/09/28 2009/09/30 2009/10/02	DESCRIPTION	QUALITY SYMBOLS	GENERAL TOLERANCES (UNLESS SPECIFIED)	DIMENSION STYLE	SCALE	DESIGN UNITS	THIRD ANGLE PROJECTION
			▽=0 ∠=0	mm INCH	IN/MM	NTS	METRIC	⊙ □
D1	REV	DRAFT WHERE APPLICABLE MUST REMAIN WITHIN DIMENSIONS	4 PLACES	± --- ± ---	DRAWN BY	DATE	TITLE	C-GRID, SHROUDED HEADER R/A (SLOTTED W/O STANDOFFS)
			3 PLACES	± --- ± .008	JWAN	1991/10/17		
			2 PLACES	± 0.20 ± ---	CHECKED BY	DATE	MOLEX MOLEX INCORPORATED	SHEET NO. 1 OF 1
			1 PLACE	± --- ± ---	TAY	1991/10/22		
				ANGULAR ± 3 °	APPROVED BY	DATE	DOCUMENT NO.	SD-70247-**-59
					RWONG	1991/10/22	SEE TABLE	
					MATERIAL NO.			
					SIZE	THIS DRAWING CONTAINS INFORMATION THAT IS PROPRIETARY TO MOLEX INCORPORATED AND SHOULD NOT BE USED WITHOUT WRITTEN PERMISSION		
					A3			