

4

3

2

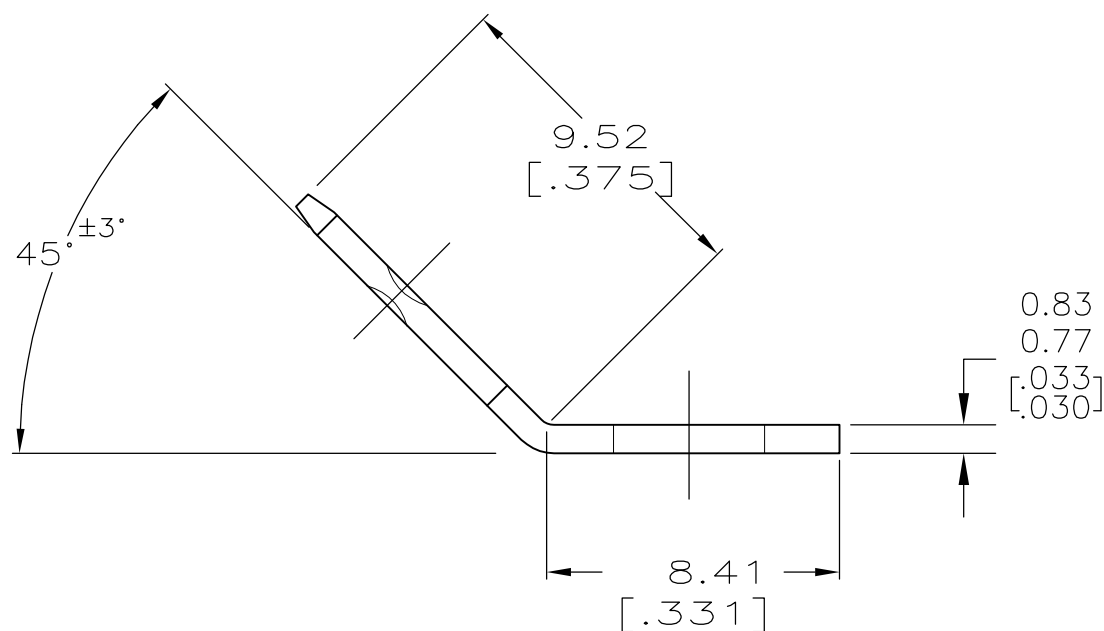
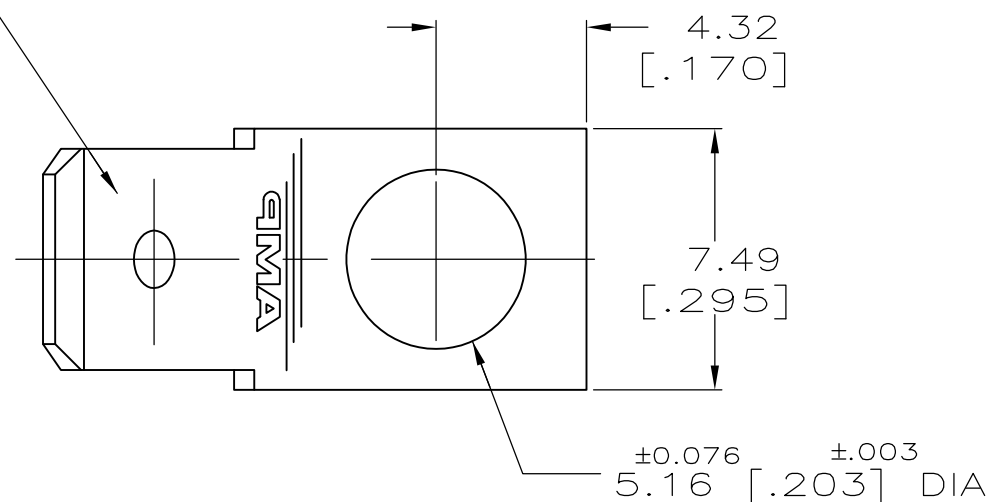
1

THIS DRAWING IS UNPUBLISHED. RELEASED FOR PUBLICATION - , -
 © COPYRIGHT - By - ALL RIGHTS RESERVED.

| LOC | DIST | REVISIONS | | | | |
|-----|------|-------------|---------------------------|---------|--------|--|
| P | LTR | DESCRIPTION | DATE | DWN | APVD | |
| AF | 50 | D1 | REVISED PER ECO-11-004917 | 11MAR11 | RK HMR | |

1. SUPPLIED IN LOOSE PIECE.

FITS 6.35 [.250] SERIES FASTON RECEPTACLE



61365-1
PART NO

| | | | | | | | | | | | | | | |
|---|--|------------------|----------|----------|--|------------------|------------|---------------|-------|-----|-------|--------|-----|----|
| THIS DRAWING IS A CONTROLLED DOCUMENT. | | DWN | JR RUTH | 11/12/91 | TE Connectivity NAME TAB, FASTON,™ 6.35 [.250] SERIES | | | | | | | | | |
| DIMENSIONS: mm[INCHES] | | CHK | MS FEHER | 11/12/91 | | | | | | | | | | |
| | | APVD | C MEYERS | 11/12/91 | | | | | | | | | | |
| TOLERANCES UNLESS OTHERWISE SPECIFIED: | | PRODUCT SPEC | - | | | | | | | | | | | |
| 0 PLC ± - 1 PLC ± - 2 PLC ± 0.25 [.010] 3 PLC ± - 4 PLC ± - ANGLES ± - | | APPLICATION SPEC | - | | SIZE | CAGE CODE | DRAWING NO | RESTRICTED TO | | | | | | |
| MATERIAL | | WEIGHT | | - | | A3 | 00779 | C-61365 | - | | | | | |
| 082 BRASS | | FINISH | | TIN | | CUSTOMER DRAWING | | | SCALE | 5:1 | SHEET | 1 OF 1 | REV | D1 |

METRIC