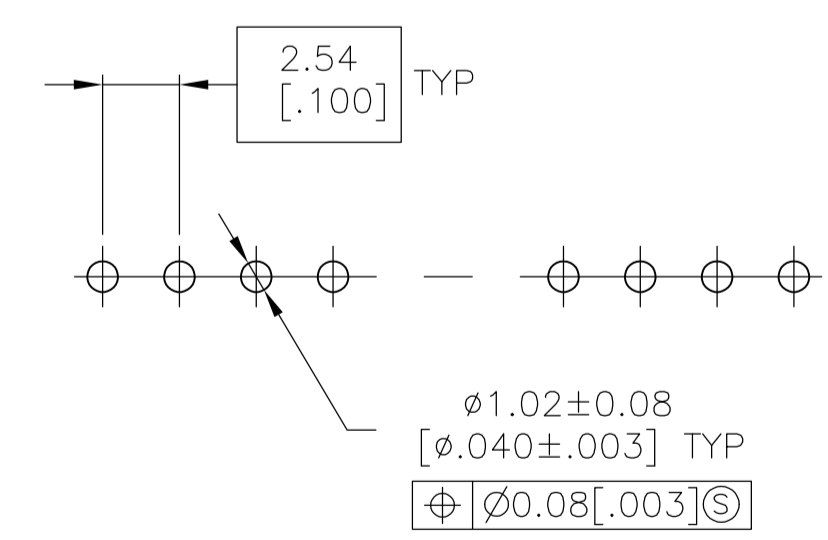
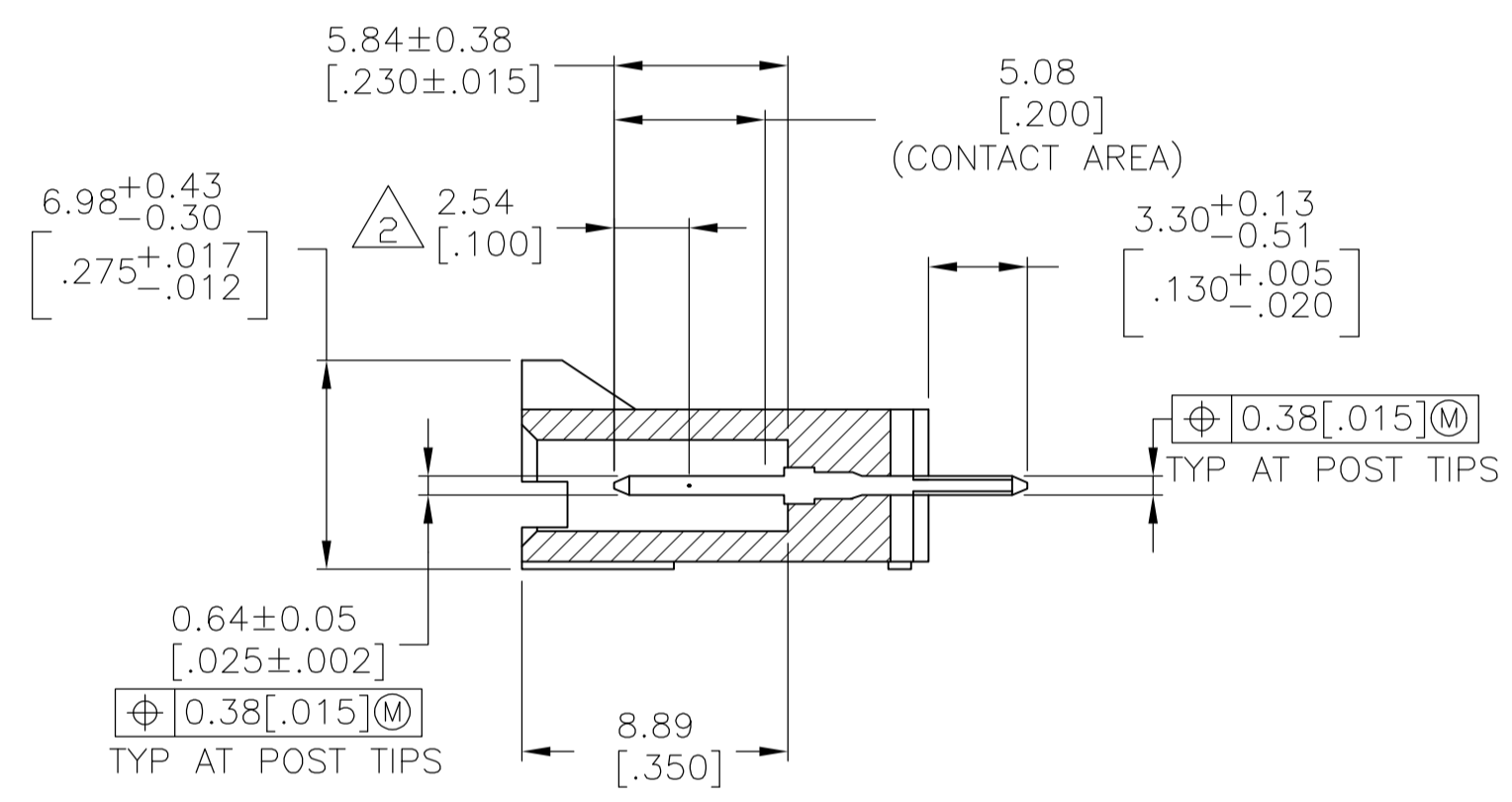
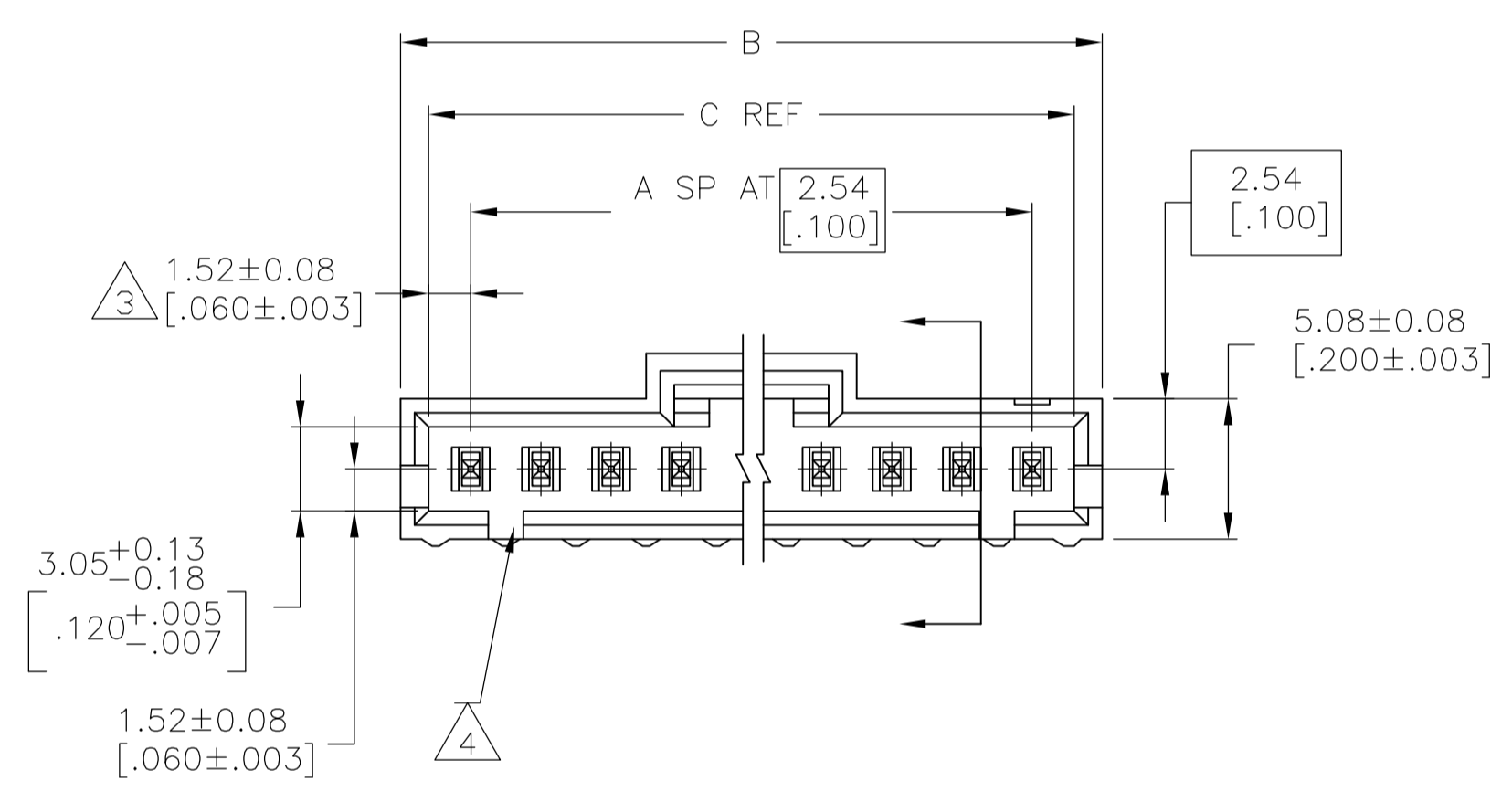


DETAIL Z
POST DETAIL TYP
2 POST MINIMUM



RECOMMENDED HOLE LAYOUT

- 1 .00038[.000015] GOLD IN THE CONTACT AREA, .00254[.000100] MATTE TIN-LEAD ON REMAINDER OF CONTACT, ALL OVER .00127[.000050] NICKEL.
- 2 POINT OF MEASUREMENT FOR PLATING THICKNESS.
- 3 THE NOTED DIMENSIONS APPLY AT THE INTERSECTION OF THE POST AND THE HOUSING.
- 4 ON ASSEMBLIES WITH FOUR OR MORE POSITIONS, TWO POLARIZATION SLOTS. ON ASSEMBLIES WITH TWO OR THREE POSITIONS, ONE POLARIZATION SLOT.
- 5 SELECT POST TAILS FORMED TO PROVIDE CONNECTOR HOLD DOWN UNTIL SOLDERED. CONFIGURATION ACCEPTS 0.69[.027]-2.03[.080] THICK PRINTED CIRCUIT BOARD. (SEE DETAIL Z).
- 6 OBSOLETE PARTS: OBSOLETE CIS STREAMLINING PER D.RENAUD/D.SINISI

		64.01 [2.520]	66.04 [2.600]	24	25	2-103670-4
		61.47 [2.420]	63.50 [2.500]	23	24	2-103670-3
	6	58.93 [2.320]	60.96 [2.400]	22	23	2-103670-2
		56.39 [2.220]	58.42 [2.300]	21	22	2-103670-1
	6	53.85 [2.120]	55.88 [2.200]	20	21	2-103670-0
		51.31 [2.020]	53.34 [2.100]	19	20	1-103670-9
	6	48.77 [1.920]	50.80 [2.000]	18	19	1-103670-8
		46.23 [1.820]	48.26 [1.900]	17	18	1-103670-7
		43.69 [1.720]	45.72 [1.800]	16	17	1-103670-6
		41.15 [1.620]	43.18 [1.700]	15	16	1-103670-5
		38.61 [1.520]	40.64 [1.600]	14	15	1-103670-4
		36.07 [1.420]	38.10 [1.500]	13	14	1-103670-3
		33.53 [1.320]	35.56 [1.400]	12	13	1-103670-2
		30.99 [1.220]	33.02 [1.300]	11	12	1-103670-1
		28.45 [1.120]	30.48 [1.200]	10	11	1-103670-0
		25.91 [1.020]	27.94 [1.100]	9	10	103670-9
		23.37 [.920]	25.40 [1.000]	8	9	103670-8
		20.83 [.820]	22.86 [.900]	7	8	103670-7
		18.29 [.720]	20.32 [.800]	6	7	103670-6
		15.75 [.620]	17.78 [.700]	5	6	103670-5
		13.21 [.520]	15.24 [.600]	4	5	103670-4
		10.67 [.420]	12.70 [.500]	3	4	103670-3
		8.13 [.320]	10.16 [.400]	2	3	103670-2
		5.59 [.220]	7.62 [.300]	1	2	103670-1
		C	B	A	NO OF POSN	PART NO.

THIS DRAWING IS A CONTROLLED DOCUMENT.

DIMENSIONS: mm [INCHES]	TOLERANCES UNLESS OTHERWISE SPECIFIED: 0 PLC ± - 1 PLC ± - 2 PLC ± 0.13[.005] 3 PLC ± - 4 PLC ± - ANGLES ± -	FINISH 1	DIN S. SHUEY 3-5-91 CHK: M. RIDER 2-14-92 APVD: M. RIDER 2-14-92 NAME: M. RIDER PRODUCT SPEC: 108-25034 APPLICATION SPEC: 114-25026 WEIGHT: -	SIZE: A1 CAGE CODE: 00779 DRAWING NO: 103670	DATE: 11MAR11 REV: 1	SCALE: 4:1 SHEET: 1 OF 1	REV: S2
----------------------------	--	-------------	---	--	-------------------------	-----------------------------	---------

MATERIAL: HOUSING: FLAME RETARDANT THERMOPLASTIC
COLOR - BLACK
CONTACTS: BRASS

CUSTOMER DRAWING

STE TE Connectivity

HDR ASSY, VERT, SINGLE ROW
2.54[.100] CL, 0.64[.025] SQ POST,
WITH PLZN & RETENTIVE POSTS, AMPMODU MTE