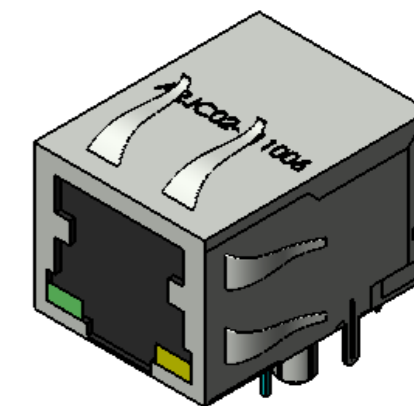
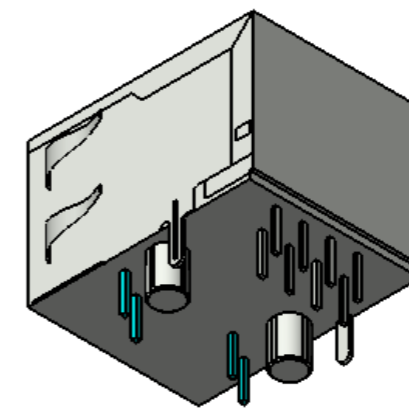
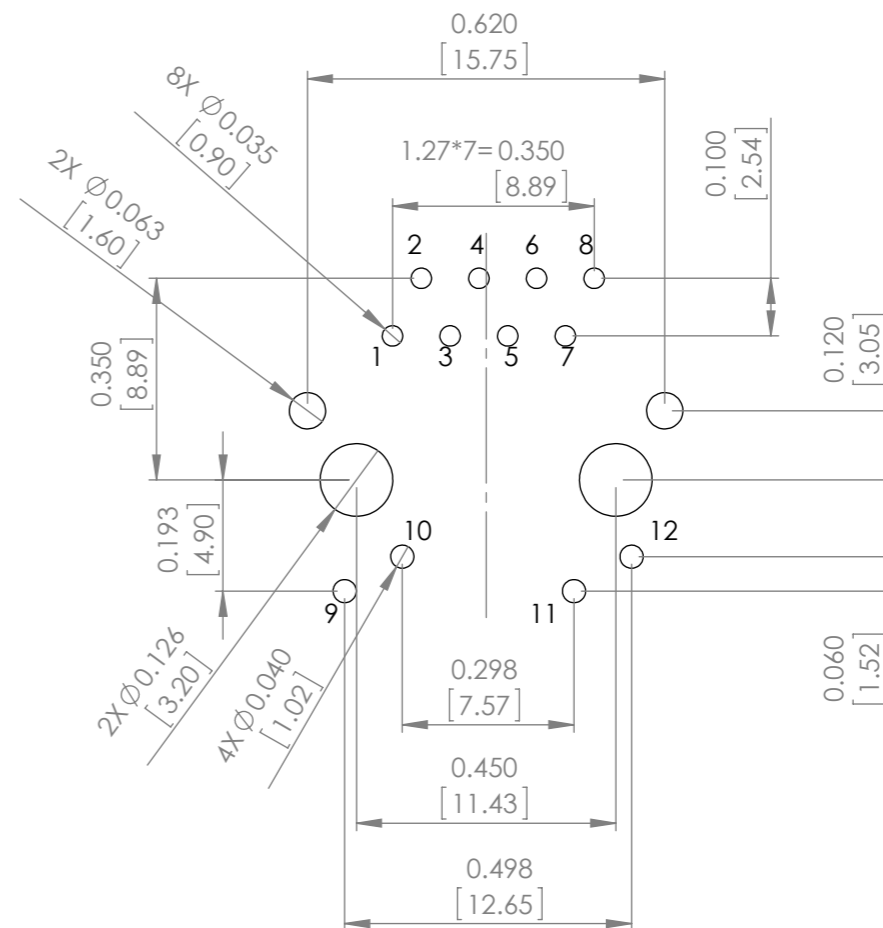


Recommended Land Pattern



UNLESS OTHERWISE SPECIFIED: DIMENSIONS ARE IN MM SURFACE FINISH: TOLERANCES: LINEAR: ANGULAR:				FINISH:		DEBUR AND BREAK SHARP EDGES		DO NOT SCALE DRAWING		REVISION	
DRAWN				NAME		SIGNATURE		DATE		-	
CHK'D				XXXXXX						30332 Esperanza, Rancho Santa margarita, California 92688	
APPV'D										TITLE: RJ45	
MFG										DWG NO. ARJC02-111006	
Q.A										A3	
								MATERIAL:		SCALE:3:1	
								WEIGHT:		SHEET 1 OF 1	