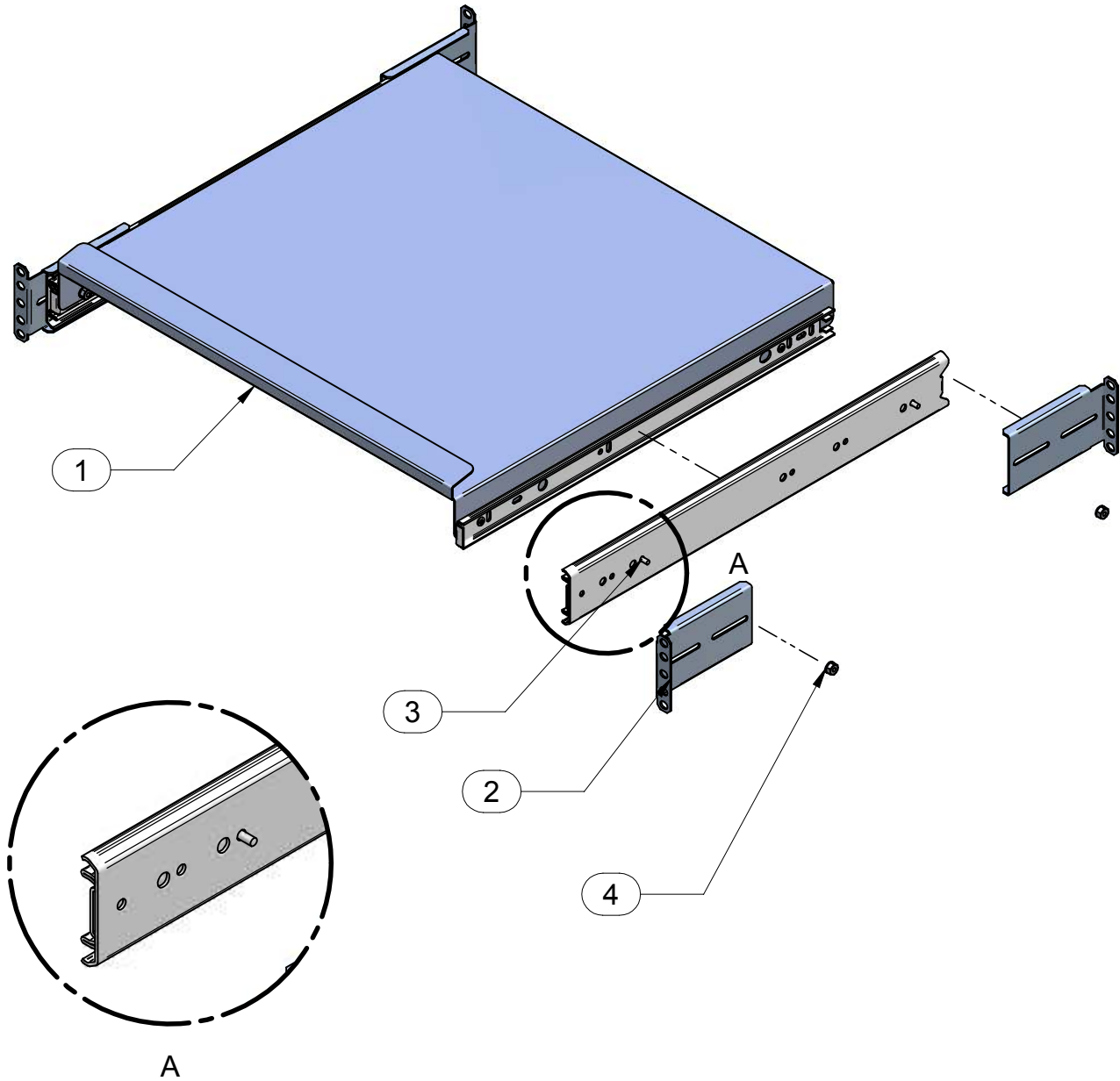


RAKS - SERIES

ASSEMBLY INSTRUCTIONS FOR KEYBOARD SHELF

BUL10241
REV. C
PAGE 1 OF 1



PART #	DESCRIPTION	QTY
1	PULL OUT KEYBOARD	1
2	SLIDES WITH BRACKETS	2
3	8-32 x 5/16" PAN HEAD	4
4	8-32 KEP NUT	4
*5	10-32 PAN HEAD	8
*NOT SHOWN		

ASSEMBLY INSTRUCTIONS

- A) ADJUST MOUNTING BRACKETS TO SUIT SET DISTANCE BETWEEN RAILS. TO ADJUST LOOSEN THE 8-32 SCREWS AND NUTS, SLIDE TO ADJUST THEN RETIGHTEN SCREWS.
- B) INSTALL SHELF IN TO MATING SLIDES AND PUSH BACK INTO CLOSED POSITION.

