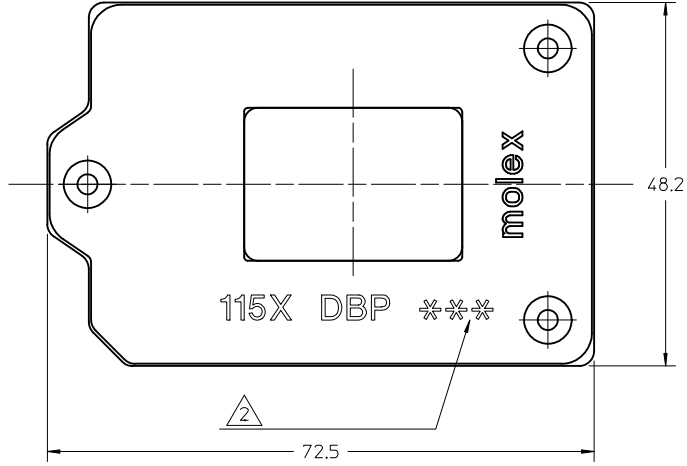
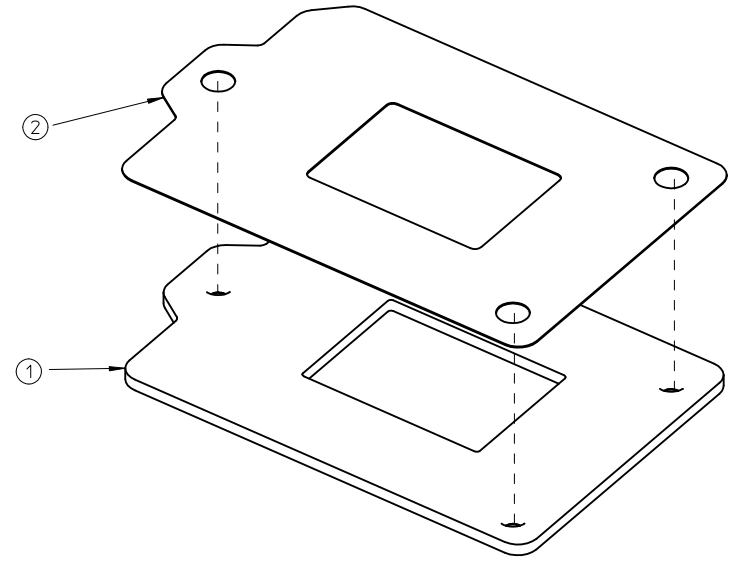
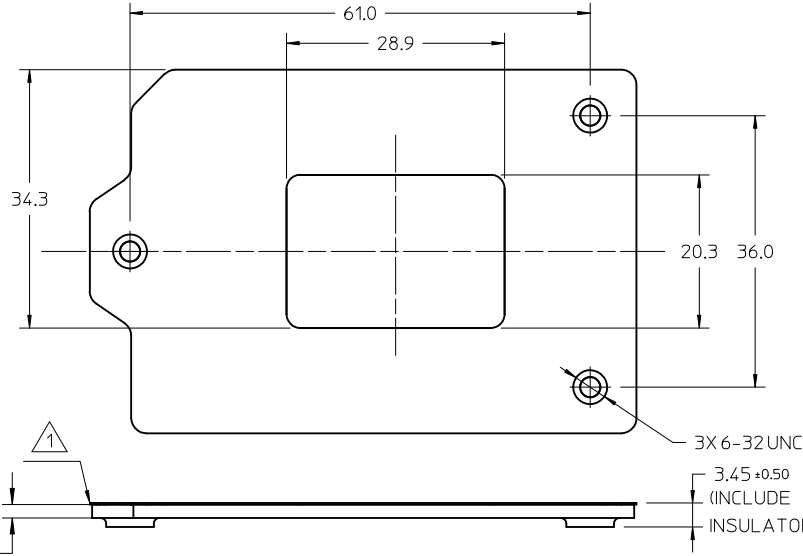


10 9 8 7 6 5 4 3 2 1



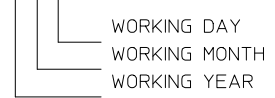
47596-8813	WITH HALOGEN FREE
PART NO.	DESCRIPTION

BILL OF MATERIAL			
ITEM NO	QTY	DESCRIPTION	MATERIAL
1	1	ILM BACK PLATE ASSEMBLY	
①	1	ILM BACK PLATE	STEEL WITH NICKEL PLATING
②	1	ILM BACK PLATE INSULATOR	POLYCARBONATE FILM

NOTES:

① INSULATOR OVERHANGS ALL EXTERNAL EDGES.

② INK PRINTED DATE CODE: \* \* \*



- 3. 6-32 UNC MIN. 3MM THREAD DEPTH
- 4. PART IS COMPLAINT TO RoHS DIRECTIVE 2002/95/EC AND ELV 2000/53/EC.

ENTER DESCRIPTION	DRWN: YXZHENG	2012/04/06	2012/04/26
EC NO: SH2012-0350	CHKD:	APPR: AYIN	DESCRIPTION
QUALITY SYMBOLS	$\nabla = 0$ $\nabla = 0$ $\nabla = 0$		

GENERAL TOLERANCES (UNLESS SPECIFIED)	
	mm INCH
4 PLACES	± --- ± ---
3 PLACES	± --- ± ---
2 PLACES	± --- ± ---
1 PLACE	± 0.25 ± ---
ANGULAR ± 2 °	
DRAFT WHERE APPLICABLE MUST REMAIN WITHIN DIMENSIONS	

DIMENSION STYLE		SCALE	DESIGN UNITS	THIRD ANGLE PROJECTION
MM ONLY		2:1	METRIC	
DRAWN BY	DATE	TITLE		
JGU007	2008/01/11	115X BACK PLATE ASSEMBLY		
CHECKED BY	DATE	MOLEX INCORPORATED		
JKACHLIC	2008/01/11	MOLEX INCORPORATED		
APPROVED BY	DATE	DOCUMENT NO.		
CL IANG	2008/01/11	SD-47596-004		
MATERIAL NO.	SEE TABLE	SHEET NO.		
		1 OF 1		

THIS DRAWING CONTAINS INFORMATION THAT IS PROPRIETARY TO MOLEX INCORPORATED AND SHOULD NOT BE USED WITHOUT WRITTEN PERMISSION	
---	--

9 8 7 6 5 4 3 2 1