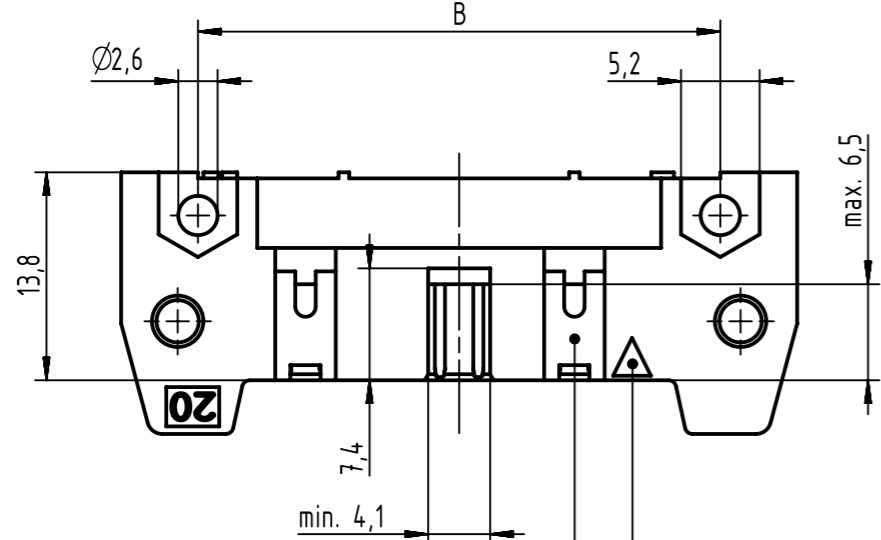
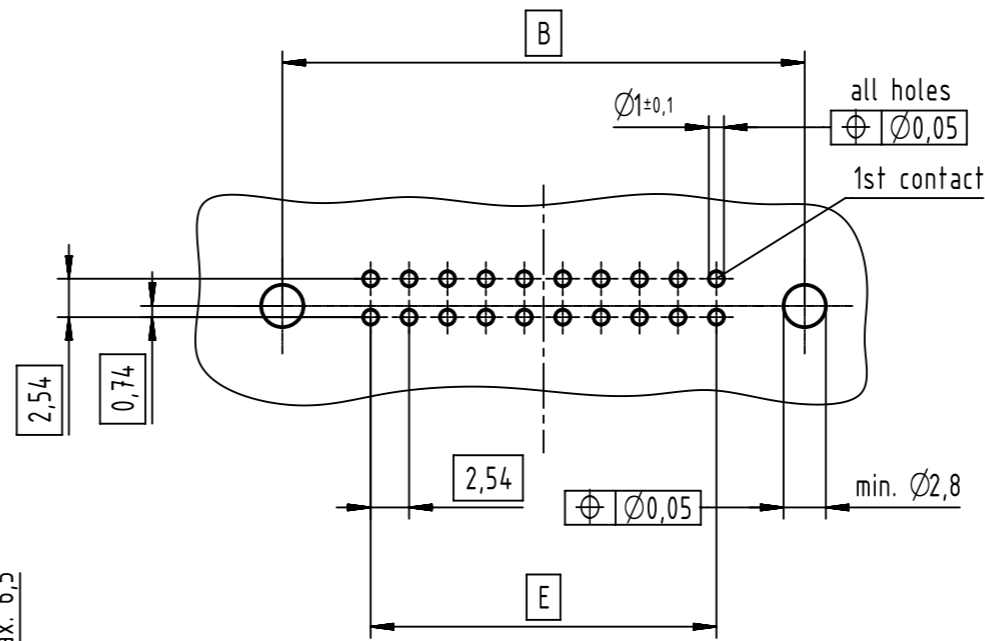
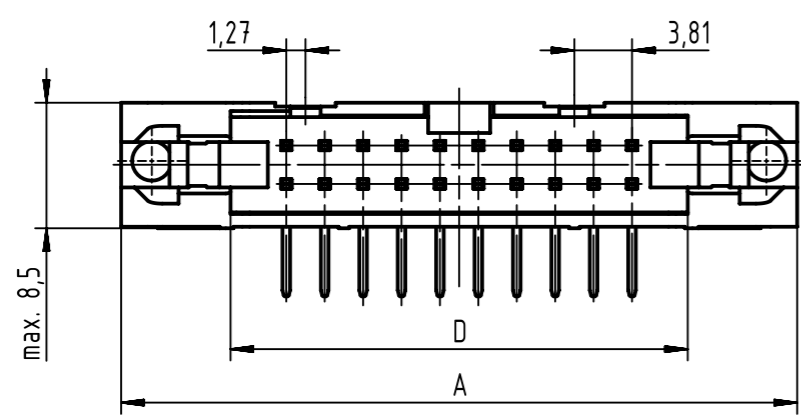


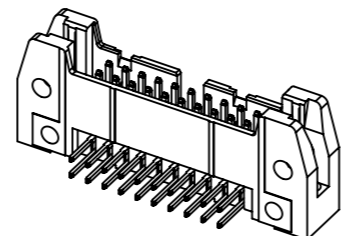
PCB layout  
view component side  
thickness up to 3,2



coding style table	
	style A: for connectors 6-pole
	style B: for connectors from 10 to 14-pole
	style C: for connectors from 16 to 64-pole

further information  
see: DS 09181200001


full range of P/N's and  
dimensions shown on page 2/2



1st contact  
see table for coding,  
feature arrangement and style

	All Dimensions in mm Original Size DIN A3		Scale 2:1	Free size tol. IEC 60603-13	Ref. Sub. TB 09185XXX921 / 500000087654 / 2015-04-08	
	All rights reserved Department EC PD - DE		Created by STORCK	Inspected by TADJE	Standardisation KOHLER	Date 2015-12-21
HARTING Electronics GmbH D-32339 Espelkamp			Title SEK 18 male standard conn angled w/o lever 4.5			Doc-Key / ECM-Nr. 100154464/UGD/024/A 500000094595
			Type TB	Number 09185XXX921		Rev. A Page 1/2

no. of contacts	performance level			insulator colour	dimensions			
	PL3	PL2	S4		A max.	B	D	E
	part number	part number	part number					
06	09 18 506 7921	09 18 506 6921	09 18 506 5921	grey	27,2	16,76	12,45	2,54 x 2 = 5,08
10	09 18 510 7921	09 18 510 6921	09 18 510 5921		32,3	21,84	17,53	2,54 x 4 = 10,16
14	09 18 514 7921	09 18 514 6921	09 18 514 5921		37,4	26,92	22,61	2,54 x 6 = 15,24
16	09 18 516 7921	09 18 516 6921	09 18 516 5921		39,9	29,46	25,15	2,54 x 7 = 17,78
20	09 18 520 7921	09 18 520 6921	09 18 520 5921		45,0	34,54	30,23	2,54 x 9 = 22,86
24	09 18 524 7921	09 18 524 6921	09 18 524 5921		50,1	39,62	35,91	2,54 x 11 = 27,94
26	09 18 526 7921	09 18 526 6921	09 18 526 5921		52,6	42,16	37,85	2,54 x 12 = 30,48
30	09 18 530 7921	09 18 530 6921	09 18 530 5921		58,0	47,24	43,83	2,54 x 14 = 35,56
34	09 18 534 7921	09 18 534 6921	09 18 534 5921		62,8	52,32	48,01	2,54 x 16 = 40,64
40	09 18 540 7921	09 18 540 6921	09 18 540 5921		70,4	59,94	55,63	2,54 x 19 = 48,26
50	09 18 550 7921	09 18 550 6921	09 18 550 5921		83,1	72,64	68,33	2,54 x 24 = 60,96
60	09 18 560 7921	09 18 560 6921	09 18 560 5921		95,8	85,34	81,03	2,54 x 29 = 73,66
64	09 18 564 7921	09 18 564 6921	09 18 564 5921		100,9	90,42	86,11	2,54 x 31 = 78,74
06	09 18 506 7921 001	09 18 506 6921 001	09 18 506 5921 001		black	27,2	16,76	12,45
10	09 18 510 7921 001	09 18 510 6921 001	09 18 510 5921 001	32,3		21,84	17,53	2,54 x 4 = 10,16
14	09 18 514 7921 001	09 18 514 6921 001	09 18 514 5921 001	37,4		26,92	22,61	2,54 x 6 = 15,24
16	09 18 516 7921 001	09 18 516 6921 001	09 18 516 5921 001	39,9		29,46	25,15	2,54 x 7 = 17,78
20	09 18 520 7921 001	09 18 520 6921 001	09 18 520 5921 001	45,0		34,54	30,23	2,54 x 9 = 22,86
24	09 18 524 7921 001	09 18 524 6921 001	09 18 524 5921 001	50,1		39,62	35,91	2,54 x 11 = 27,94
26	09 18 526 7921 001	09 18 526 6921 001	09 18 526 5921 001	52,6		42,16	37,85	2,54 x 12 = 30,48
30	09 18 530 7921 001	09 18 530 6921 001	09 18 530 5921 001	58,0		47,24	43,83	2,54 x 14 = 35,56
34	09 18 534 7921 001	09 18 534 6921 001	09 18 534 5921 001	62,8		52,32	48,01	2,54 x 16 = 40,64
40	09 18 540 7921 001	09 18 540 6921 001	09 18 540 5921 001	70,4		59,94	55,63	2,54 x 19 = 48,26
50	09 18 550 7921 001	09 18 550 6921 001	09 18 550 5921 001	83,1		72,64	68,33	2,54 x 24 = 60,96
60	09 18 560 7921 001	09 18 560 6921 001	09 18 560 5921 001	95,8		85,34	81,03	2,54 x 29 = 73,66
64	09 18 564 7921 001	09 18 564 6921 001	09 18 564 5921 001	100,9		90,42	86,11	2,54 x 31 = 78,74

	All rights reserved	Scale 1:1		Free size tol.		Ref.	
	Department EC PD - DE	Created by STORCK	Inspected by TADJE	Standardisation KOHLER	Date 2015-12-21	State Final Release	
HARTING Electronics GmbH D-32339 Espelkamp		Title SEK 18 male standard conn angled w/o lever 4.5				Doc-Key / ECM-Nr. 100154464/UGD/024/A 50000094595	
		Type TB	Number 09185XXX921		Rev. A	Page 2/2	