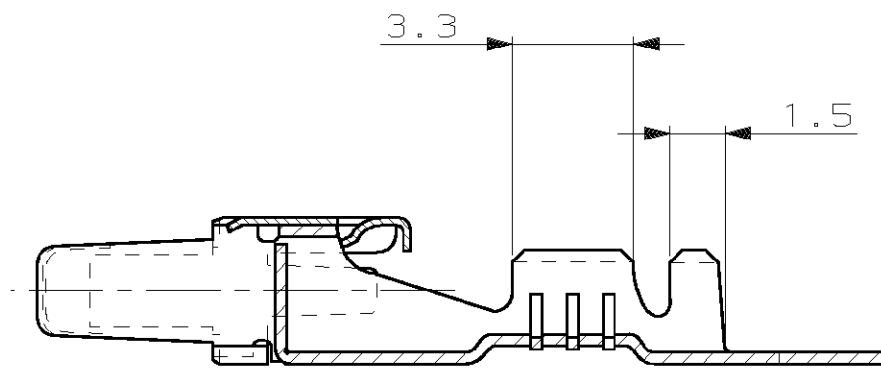
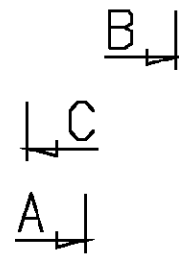


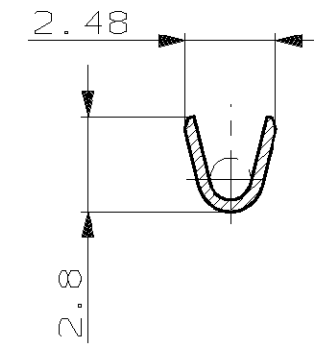
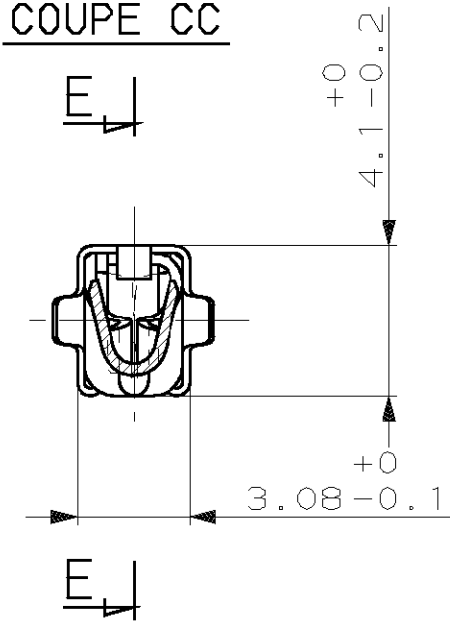
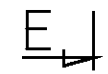
THIS DRAWING IS UNPUBLISHED.
 DIFFUSION RESEINTE AMP
 © COPYRIGHT BY -
 RELEASED FOR PUBLICATION
 ALL RIGHTS RESERVED.
 TOUS DROITS RESERVES.

LOC		DIST		REVISIONS			
P	LTR REV	DESCRIPTION MODIFICATIONS	DATE	DWN DESS.	APVD APP.		
	B1	REVISED PER ECO-11-005150	13APR11	RK	HMR		

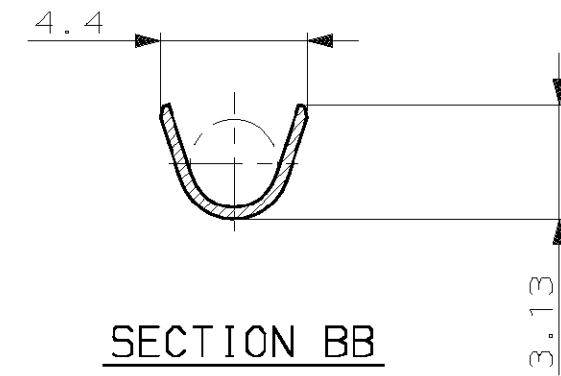
SECTION EE
 COUPE EE



SECTION CC
 COUPE CC

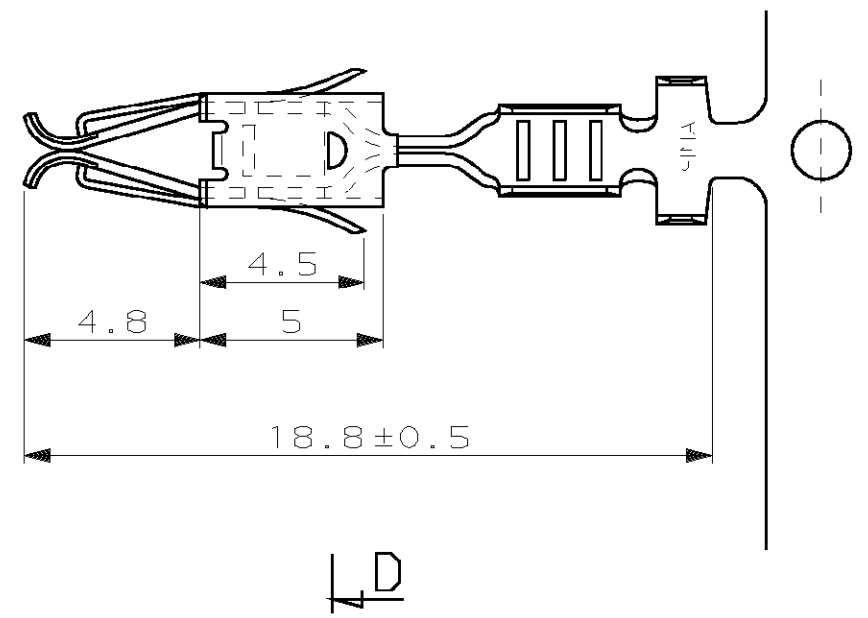
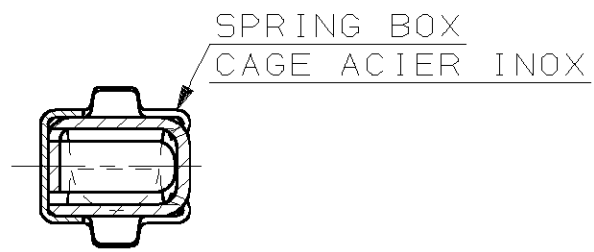


SECTION AA



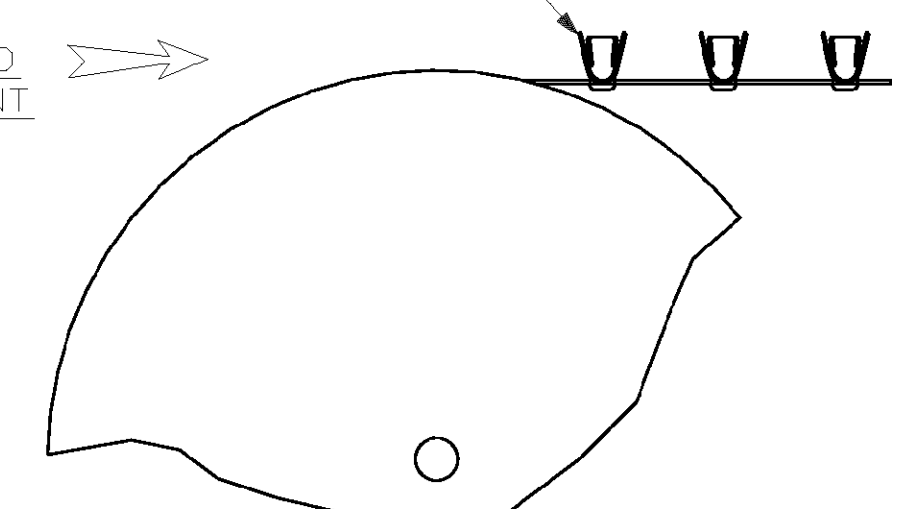
SECTION BB

SECTION DD
 COUPE DD



INSULATION BARREL
 AILES DE FRETTAGE

END FEED
 SENS DE DEROULEMENT



PRE-GOLD 0.4 μm mini SUR 1 μm mini NI.	CUSN4	-3
PRE-TIN 0.8 A 3.3 μm	CUSN4	144431-1
FINITION	MATERIAL	PART NUMBER

(B)

THIS DRAWING IS A CONTROLLED DOCUMENT. CE PLAN EST UN DOCUMENT CONTROLE.		DWN/DESSINE 27-SEP-00 Michel POLIFONTE		TE Connectivity	
DIMENSIONS: mm		CHK/VERIFIE 12-OCT-00 M. POLIFONTE		NAME TITRE	
TOLERANCES UNLESS OTHERWISE SPECIFIED. TOLERANCES NON SPECIFIEES (SUIV NB DE DECIMALES): 0-PLC/DEC: ± 1-PLC/DEC: ±0.2 2-PLC/DEC: ± 3-PLC/DEC: ± 4-PLC/DEC: ± ANGLES: ±5°		APVD/APPROUVE 12-OCT-00 J.J. REVIL		CONTACT JUNIOR POWER TIMER	
MATERIAL MATIERE		FINISH FINITION		WEIGHT MASSE APPROX. -	
VOIR TABLEAU		VOIR TABLEAU		CUSTOMER DRAWING/PLAN CLIENT	
APPLIC. SPEC. 108-15121		APPLIC. SPEC. 114-15050		SIZE FORMAT A2	
CAGE CODE 00779		DRAWING NO TITRE C-144431		RESTRICTED TO -	
SCALE ECHELLE 5:1		SHEET FEUILLE 1 OF 1		REV B1	

144431