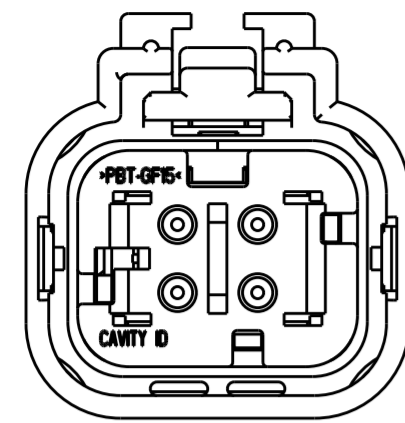
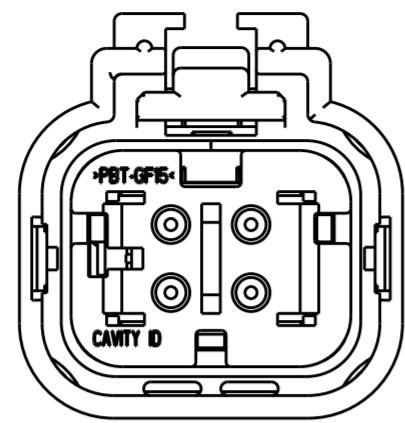


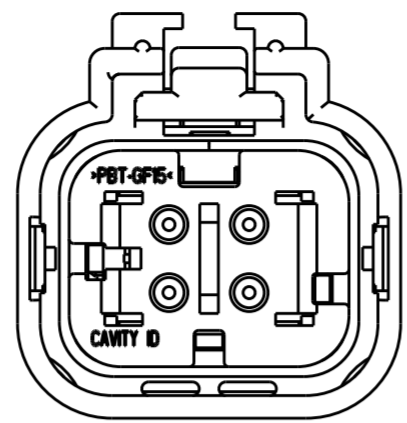
REVISIONS					
P	LTR	DESCRIPTION	DATE	DWN	APVD
A		RELEASED PER ECO-09-026562	30NOV2009	DD	RB
B		REVISED PER ECO-13-019865	27DEC2013	DR	RB



2035380-2
PURPLE TPA
KEY B
SCALE 2:1

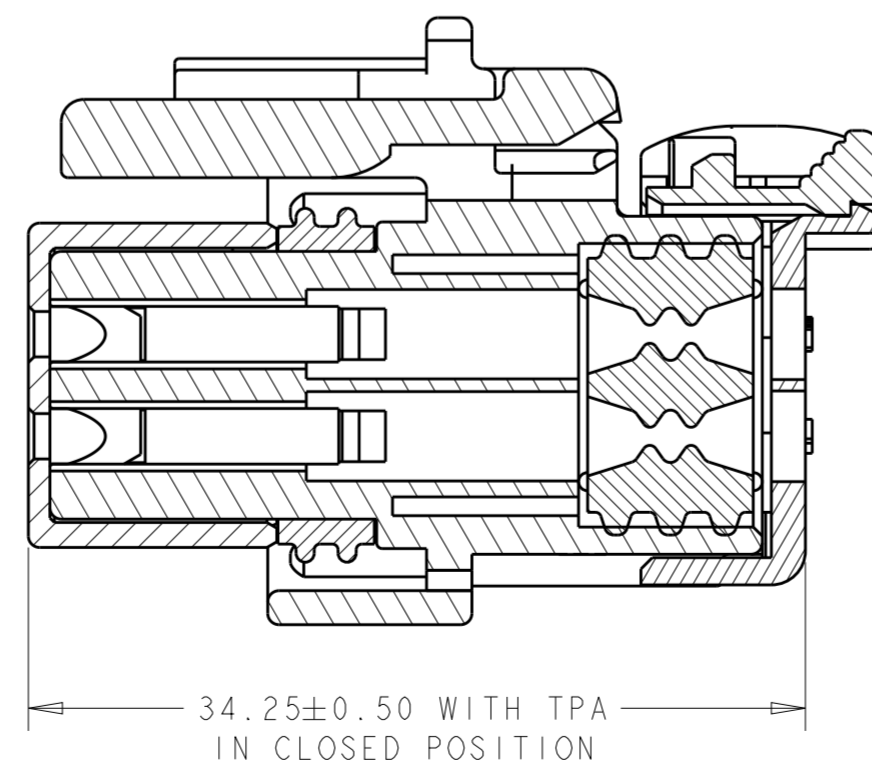
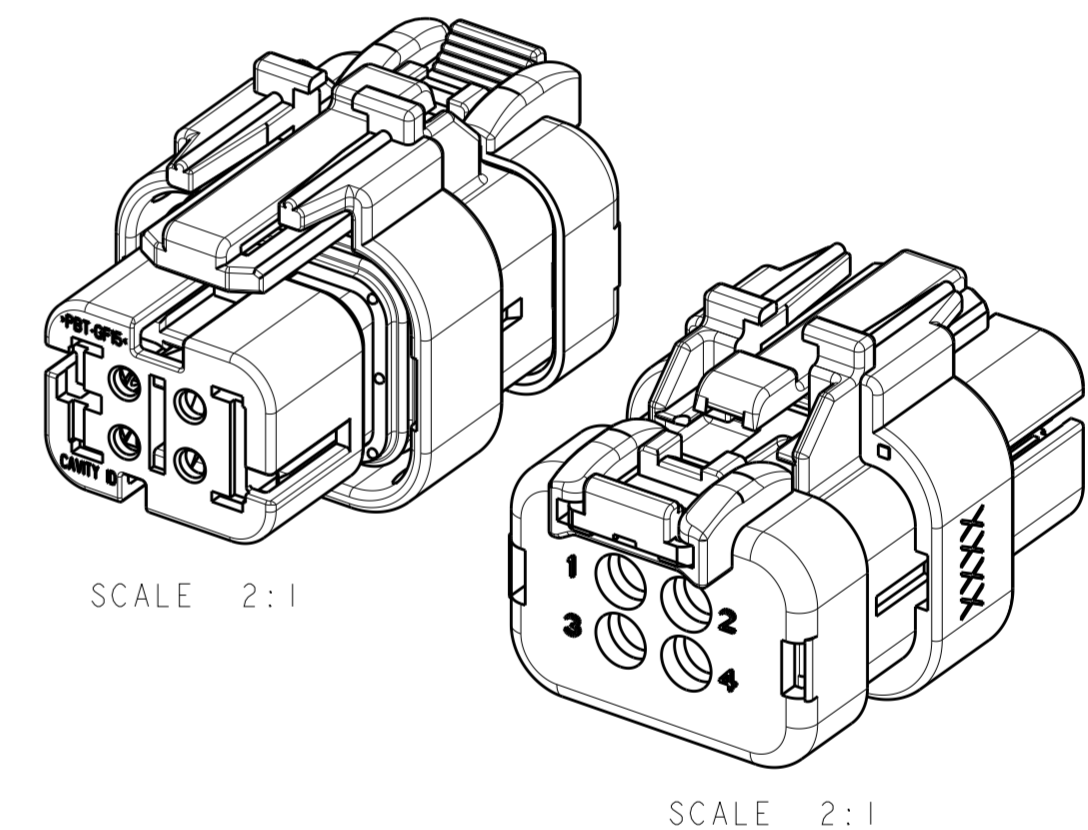
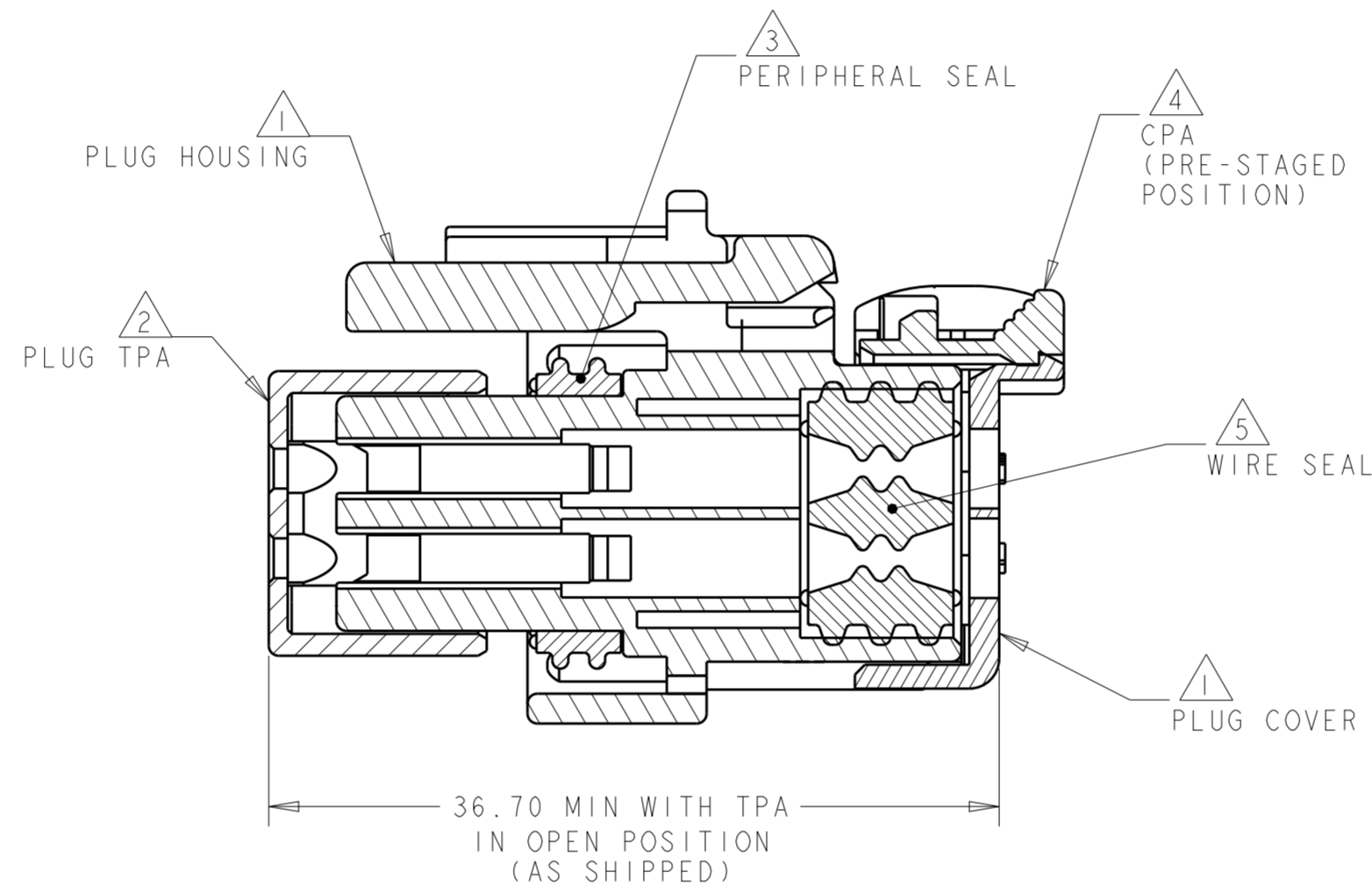
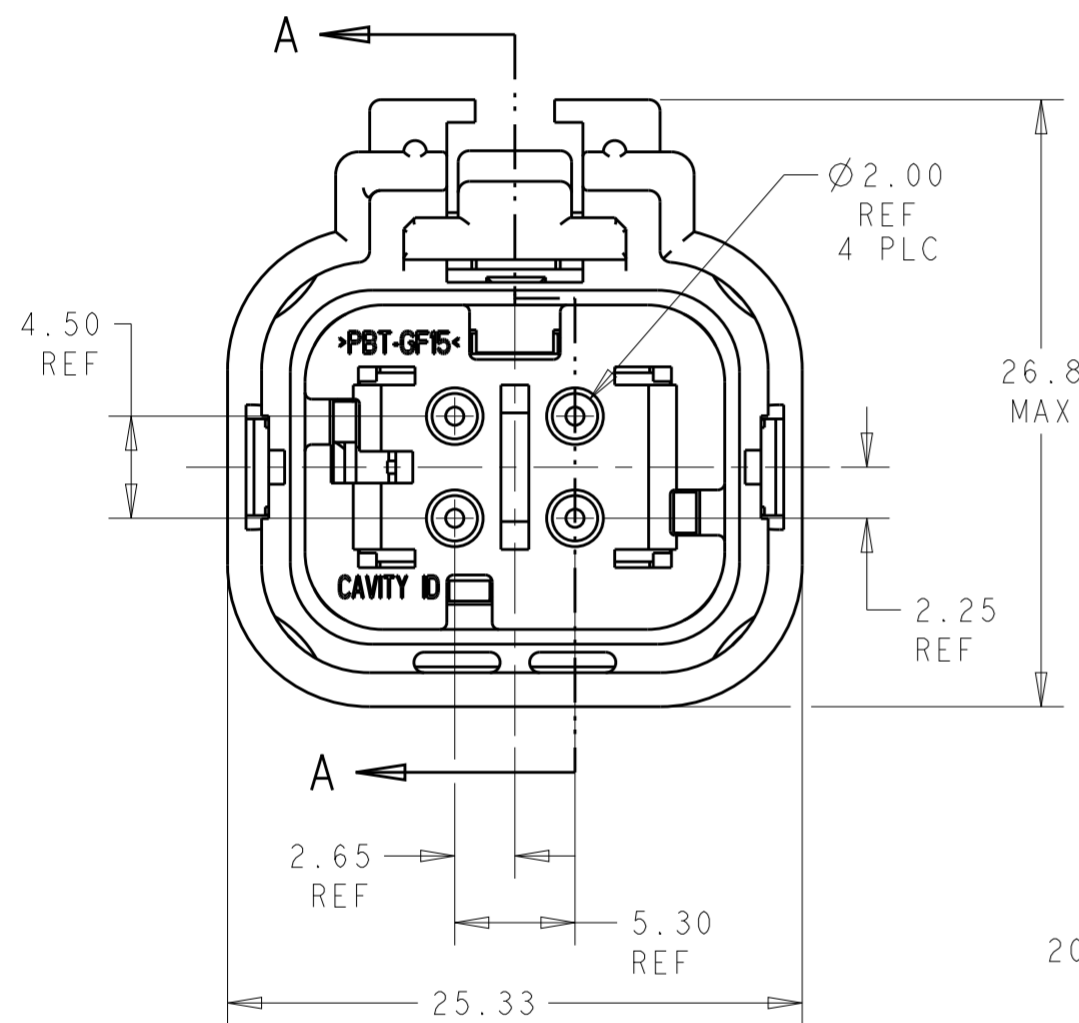


2035380-3
BLUE TPA
KEY C
SCALE 2:1



2035380-4
TAN TPA
KEY D
SCALE 2:1

- 1 HOUSING AND COVER MATERIAL: 25% GLASS FILLED THERMOPLASTIC, COLOR: NATURAL (BROWN)
- 2 TPA MATERIAL: 20% GLASS FILLED THERMOPLASTIC, COLOR: (SEE TABLE)
- 3 PERIPHERAL SEAL MATERIAL: SILICONE COLOR: TAN
- 4 CPA MATERIAL: 20% GLASS FILLED THERMOPLASTIC, COLOR: ORANGE
- 5 WIRE SEAL MATERIAL: SILICONE COLOR: RUST
- 6. RECOMMENDED WIRE DIAMETER RANGE IS 1.30 TO 2.54mm



D	TAN	2035380-4
C	BLUE	2035380-3
B	PURPLE	2035380-2
A	ORANGE	2035380-1
KEY	TPA COLOR	PART NUMBER

THIS DRAWING IS A CONTROLLED DOCUMENT.		DWN 13 JUL 2009 RUSTY WORTHINGTON	TE Connectivity	
DIMENSIONS: mm		CHK 13 JUL 2009 ROGER BALTER		
TOLERANCES UNLESS OTHERWISE SPECIFIED:		APVD 13 JUL 2009 ROGER BALTER	NAME	
0 PLC ±		PRODUCT SPEC	PLUG ASSEMBLY, 4 POSITION, DUAL ROW, AMPSEAL 16 REDUCED DIA WIRE SEAL, VO MATERIAL	
1 PLC ±0.5		108-2184	SIZE	
2 PLC ±0.30		APPLICATION SPEC	CAGE CODE	
3 PLC ±		114-13065	DRAWING NO	
4 PLC ±		WEIGHT 12.5±1g	RESTRICTED TO	
ANGLES ±1°		CUSTOMER DRAWING	A200779C-2035380	
FINISH -		SCALE 3:1	SHEET 1 OF 1	
-			REV B	