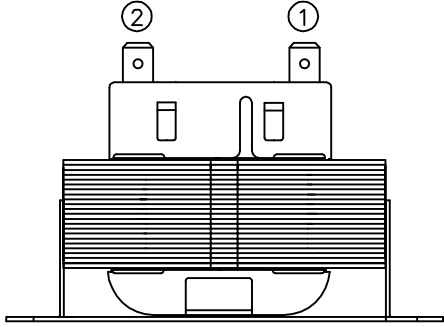
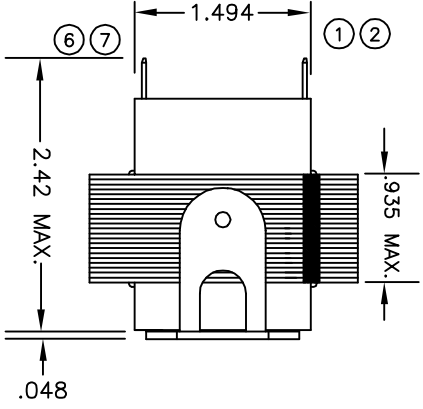
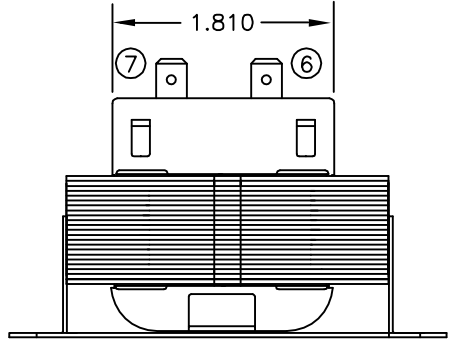
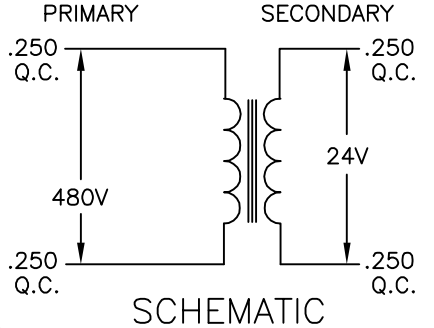
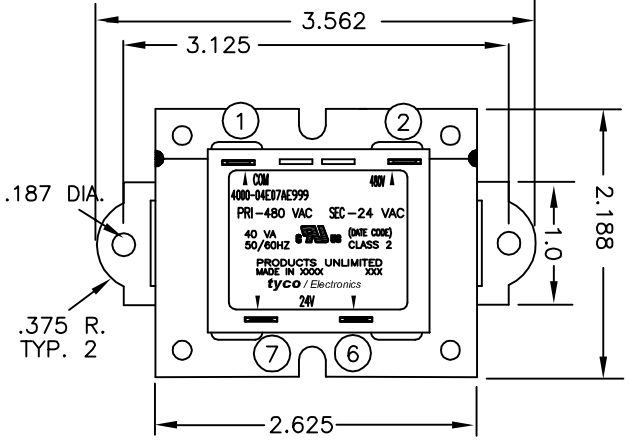


THIS DRAWING IS UNPUBLISHED. RELEASED FOR PUBLICATION
 © COPYRIGHT - BY TYCO ELECTRONICS CORPORATION. ALL RIGHTS RESERVED.

LOC	DIST	REVISIONS					
GZ	00	P	LTR	DESCRIPTION	DATE	DWN	APVD
		A		NEW FORMAT & EC0720-0089-04	16FEB04	MD	KH

PRIMARY			NOTES 1. DIMENSIONS FOR REFERENCE ONLY. 2. WINDING PROTECTION-INHERENTLY LIMITING	CERTIFICATION: UL & CUL FILE NO. E87824			
TERMINAL NO.	1	2		3	SECONDARY		
VOLTAGE	COM	480			TERMINAL NO.	6	7
TERMINAL WIDTH	.250	.250			VOLTAGE	24	VAC
TERMINAL THICKNESS	.032	.032			TERMINAL WIDTH	.250	.250
				TERMINAL THICKNESS	.032	.032	



THIS DRAWING IS A CONTROLLED DOCUMENT.

DIMENSIONS:	TOLERANCES UNLESS OTHERWISE SPECIFIED:
INCHES	0 PLC ±-
	1 PLC ±-
	2 PLC ±-
	3 PLC ±-
	4 PLC ±-
	ANGLES ±-
MATERIAL	FINISH
-	-

DWN	M.DAVIS	16FEB04		CUST. NO.	-	TYCO PART NUMBER	5-1611454-6
CHK	K.HOLSCHUH	16FEB04		NAME	Tyco Electronics Corporation		
APVD	K.HOLSCHUH	16FEB04		APPLICATION SPEC	Harrisburg, Pa 17105-3608		
PRODUCT SPEC	-			NAME	TRANSFORMER OUTLINE		
SIZE	A3	CAGE CODE	00779	DRAWING NO	C=4000-04E07AE999		
RESTRICTED TO	-			SCALE	NTS		SHEET 1 OF 1
CUSTOMER DRAWING	-			REV	A		