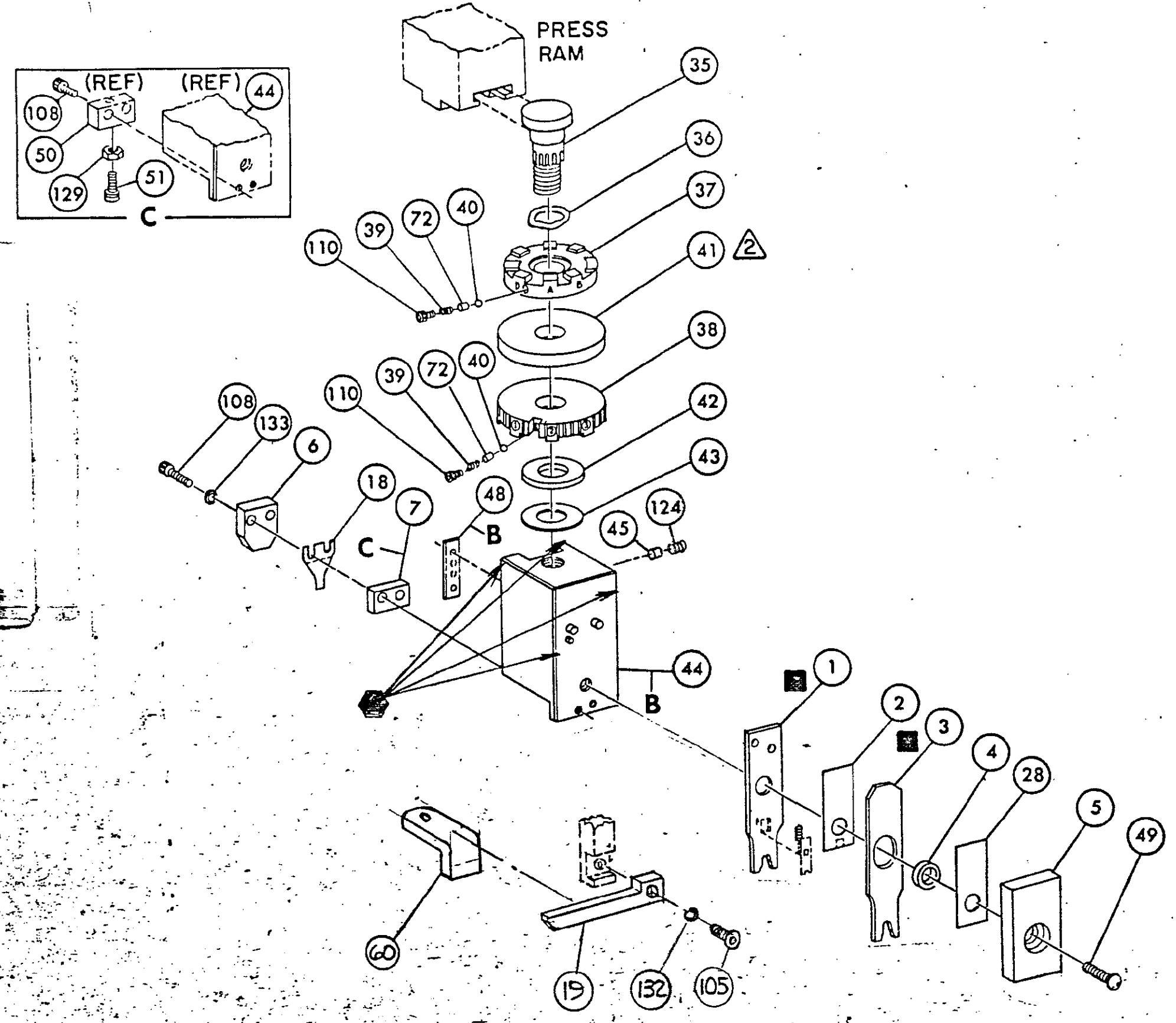
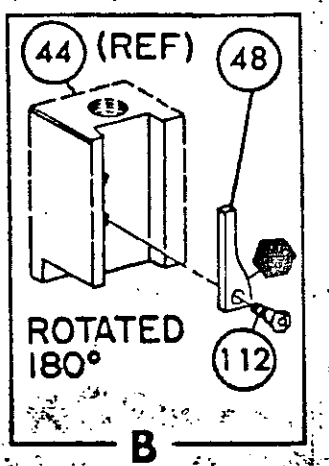


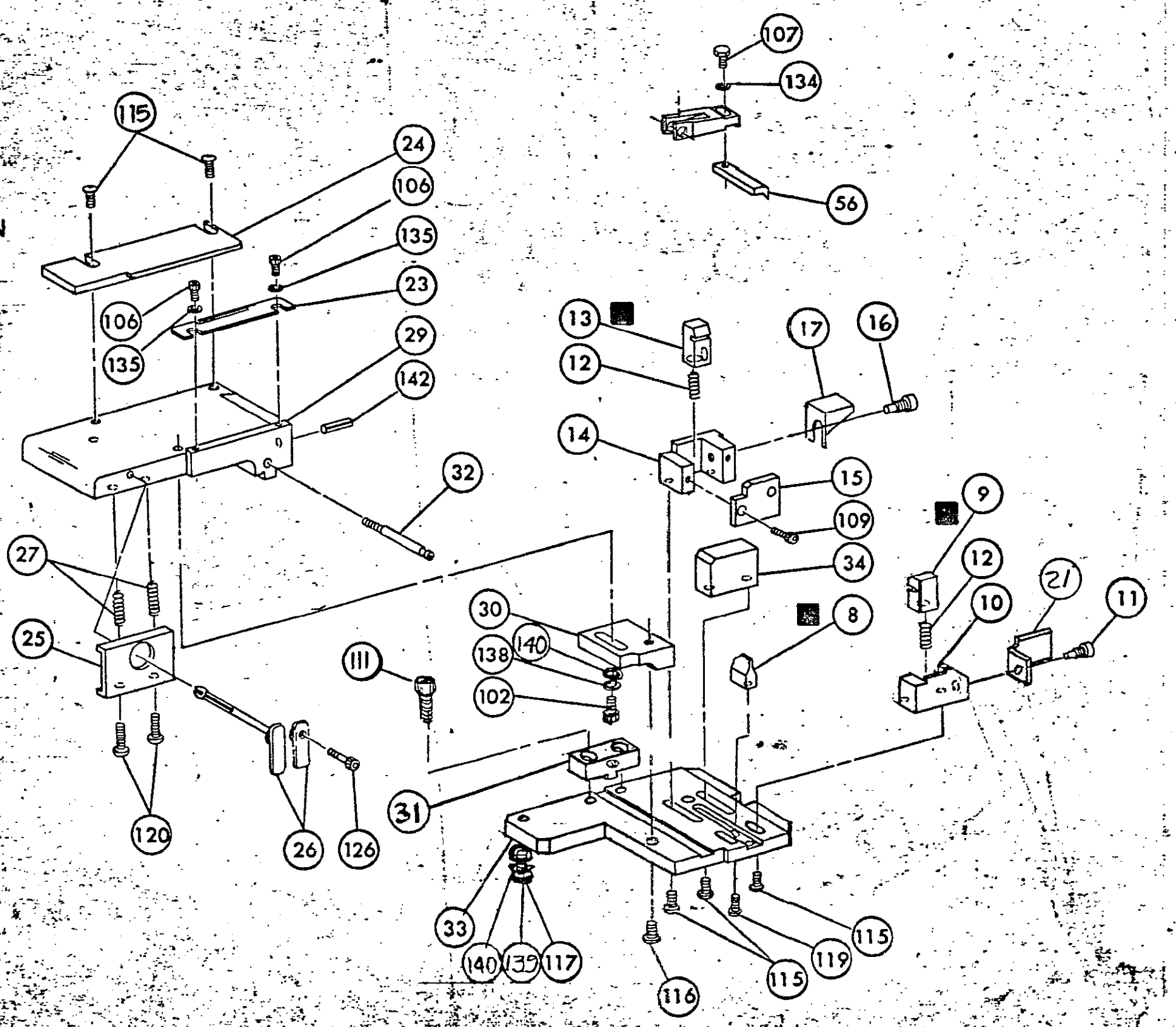
THIS IS A CONTROLLED DOCUMENT.

SPECIAL PRE-FEED
1 5/8" STROKE



NOTES:
1- ONLY THE ITEMS WITH QUANTITIES SPECIFIED ON PARTS LIST ARE USED ON THIS APPLICATOR.
△ USED IN PLACE OF ITEM 38 WHEN INSULATION CRIMP IS NOT USED.
3 FEED PIVOT HOLE

KEY:
■ RECOMMENDED SPARE PARTS
● GREASE WEEKLY



1	453615-1	PLATE, TERMINAL NO	145						59
2	690701-2	PLATE, SERIAL NO.	144						58
1	4-21028-0	PIN, SLOT SPR (.093 DIA X .75) STR G PLATE	143						57
			142	REF	694433-B	PAWL FEED			56
			141						55
1	21899-2	WASHER, FLAT (NO 10) S. G. ADJ BLOCK	140						54
1	21024-5	WASHER, LOCK (NO 10) MOUNTING	139						53
1	21024-5	WASHER, LOCK (NO 10) STRIP GUIDE ADJ BLOCK	138						52
			137		811242-2	BUMPER, HOLDDOWN			51
			136		690753-1	SPACER, TONKER			50
2	21024-2	WASHER, LOCK (NO 4) FRONT STRIP GUIDE	135	1	7-21002-9	BOLT, CRIMPER (BUT. HD. 5/16-24 UNF X 1.00)			49
REF	21024-4	WASHER, LOCK (NO 8) FEED FINGER	134	1	690602-6	CAM PRE FEED 1.62 STROKE			48
2	21024-4	WASHER, LOCK (NO 8) DEPRESSOR	133						47
REF	21024-4	WASHER, LOCK (NO 8) STRIPPER	132						46
			131	1	690191-1	PLUG, NYLON			45
			130	1	455673-1	RAM			44
			129	1	690125-1	WASHER, LAMINATED			43
			128	1	690124-1	WASHER, RAM			42
			127			DISC, SPACER			41
			126	2	23241-6	BALL, STEEL			40
			125	2	690170-1	SPRING, COMPRESSION			39
1	21009-2	SCR, SKT SET (1/4-20 X .25) (LOC-WEL) RAM	124		690142-1	DISC, INSULATION			38
			123	1	1-690692-2	DISC, WIRE			37
			122	1	22480-5	WASHER, SPRING			36
			121	1	690212-1	POST, RAM			35
2	3-21002-0	SCR, BUT HD SKT CAP (10-32 X .88) DRAG	120			SUPPORT, TERMINAL			34
1	22733-8	SCR, BUT HD SKT CAP (8-32 X .38) (LOC-WEL) ANVIL	119	1	462544-1	PLATE, BASE SPECIAL			33
			118	1	690432-3	SCREW, ADJUSTMENT			32
1	3-21000-8	SCR, SOC HD SKT CAP (10-32 X .88) MOUNTING	117	1	462543-1	BLOCK, SCREW SPECIAL			31
1	2-21002-7	SCR, BUT HD SKT CAP (10-32 X .50) SG ADJ BLOCK	116	1	455689-1	BLOCK, STRIP GUIDE ADJ			30
4	2-21002-2	SCR, BUT HD SKT CAP (8-32 X .50) SHEAR	115	1	455671-1	PLATE, STRIP GUIDE			29
			114	1	1-455888-0	SPACER, FRONT SHEAR DEPRESSOR			28
			113	2	1-22284-0	SPRING, DRAG			27
1	1-21002-7	SCR, BUT HD SKT CAP (6-32 X .50) CAM	112	1	690546-1	LEVER, DRAG RELEASE			26
2	2-21000-7	SCR, SKT HD CAP (8-32 X .50) SCR. BLOCK	111	1	240792-1	DRAG, STOCK			25
2	23030-1	SCR, SKT HD CAP (6-32 X .25) (LOC-WEL) CP DISC	110	1	7-690504-1	GUIDE STRIP (REAR)			24
			109	1	690438-1	GUIDE, STRIP (FRONT)			23
2	2-21000-8	SCR, SKT HD CAP (8-32 X .62) DEPRESSOR (REAR)	108						22
REF	2-21002-1	SCR, BUT HD MACH (8-32 X .38) FEED FINGER	107	1	463756-1	GUIDE, SCRAP			21
2	1-21000-3	SCR, SKT HD CAP (4-40 X .25) F STRIP GUIDE	106						20
REF	2-21002-1	SCR, BUT HD CAP (8-32 X .38) STRIPPER	105	REF	462615-1	STRIPPER			19
			104			HOLDER, TERMINAL			18
			103			GUARD, CHIP (REAR)			17
1	3-22603-1	SCR, REX HD CAP (10-32 X .38) SG ADJ BLOCK	102			STOP, SHEAR (REAR)			16
			101			PLATE, SHEAR (REAR)			15
			79			HOLDER, SHEAR (REAR)			14
			78			SHEAR, FLOAT (REAR)			13
2	463310-4	BLADE, STRIPPING (18)	77	1	5-22280-0	SPRING, SHEAR			12
			76	1	690461-2	STOP, SHEAR (FRONT)			11
			75	1	462548-1	HOLDER, SHEAR (FRONT) SPECIAL			10
			74	1	462547-2	SHEAR, FLOAT (FRONT) SPECIAL			9
			73	1	3-803653-5	ANVIL			8
2	690603-1	SPRING, ASSIST	72	1	240641-2	SPACER, DEPRESSOR (REAR)			7
			71			DEPRESSOR, SHEAR (REAR)			6
			70	1	462838-1	DEPRESSOR, SHEAR (FRONT) SPECIAL			5
			69	1	1-238011-0	SPACER, TUBULAR, INS CRIMPER			4
			68	1	1-683453-2	CRIMPER, INSULATION			3
			67	1	455888-8	SPACER, CRIMPER			2
			66	1	2-456403-6	CRIMPER, WIRE			1

QTY	PART NO	DESCRIPTION	ITEM NO
			65
			64
			63
			62
			61
			60
			59

QTY	PART NO	DESCRIPTION	ITEM NO
			65
			64
			63
			62
			61
			60
			59

REMARKS		NO		REV	
APPL USED ON MACHINE PART NO		MACH SERIAL NO		DISTRIBUTION	
CUSTOMER NAME		APPL SERIAL NO		ORIGINAL	
ADDRESS		PURCHASE ORDER		CUSTOMER COPY	
CITY		ENG APP		FIELD ENG COPY	
TO APPLY TERMINAL		NO		REV	
WIRE RANGE		INSULATION RANGE		PRESS NO	
22-18		.070 MAX		463345-1	
CRIMP		SIZE		TYPE	
WIRE		.062		F	
INSUL		.076		F	
FEED		300		A1	
APPL INST					
SIM 567180-2					
SET UP GAGE 10-1 458637-1 1260					
DR 8-1788 APP J.C. BEATTY					
CHK REL LOC A D NO 466978-1					
NAME AMPOMATIC STRIPPER CRIMPER APPLICATOR					
SIDE FEED (HDE 20 PIN & SOC					

COPYRIGHT © 2000 BY AMP INCORPORATED. ALL RIGHTS RESERVED. 11 28 25292