

TECHNICAL CHARACTERISTICS

MATERIAL
INSULATOR: PA 6T
FLAMMABILITY RATING: UL94-V0
COLOR: BLACK
CONTACT MATERIAL: COPPER ALLOY
CONTACT TYPE: STAMPED
CONTACT PLATING: SELECTIVE GOLD
SHIELDING: BRASS NI PLATED
QUALITY CLASS: 1500 MATING CYCLES

ENVIRONMENTAL
OPERATING TEMPERATURE: -40 UP TO 85°C
COMPLIANCE: LEAD FREE AND ROHS

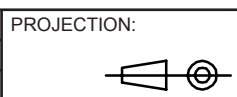
ELECTRICAL
CURRENT RATING: 1.5 A
WORKING VOLTAGE: 30 VAC
INSULATOR RESISTANCE: >1000 MΩ
DIELECTRIC WITHSTANDING VOLTAGE: 750 VAC/MN
CONTACT RESISTANCE: 30 mΩ MAX

STANDARD
 CERTIFIED: E323964

SOLDERING
JEDEC LEAD FREE REFLOW SOLDERING PROCESS

PACKAGING
TAPE & REEL

RoHS Compliant			
G			
F			
E			
D	25-JUL-16	LAYOUT UPDATE	AK
C	24-NOV-15	UL CERTIFICATION	AK
B	03-FEB-15	PINNING	QL
A	30-JUL-14	PDF	AS
REV	DATE	FILE	BY



GENERAL TOLERANCE
.X = +/_ 0.2
.XX = +/_ 0.15

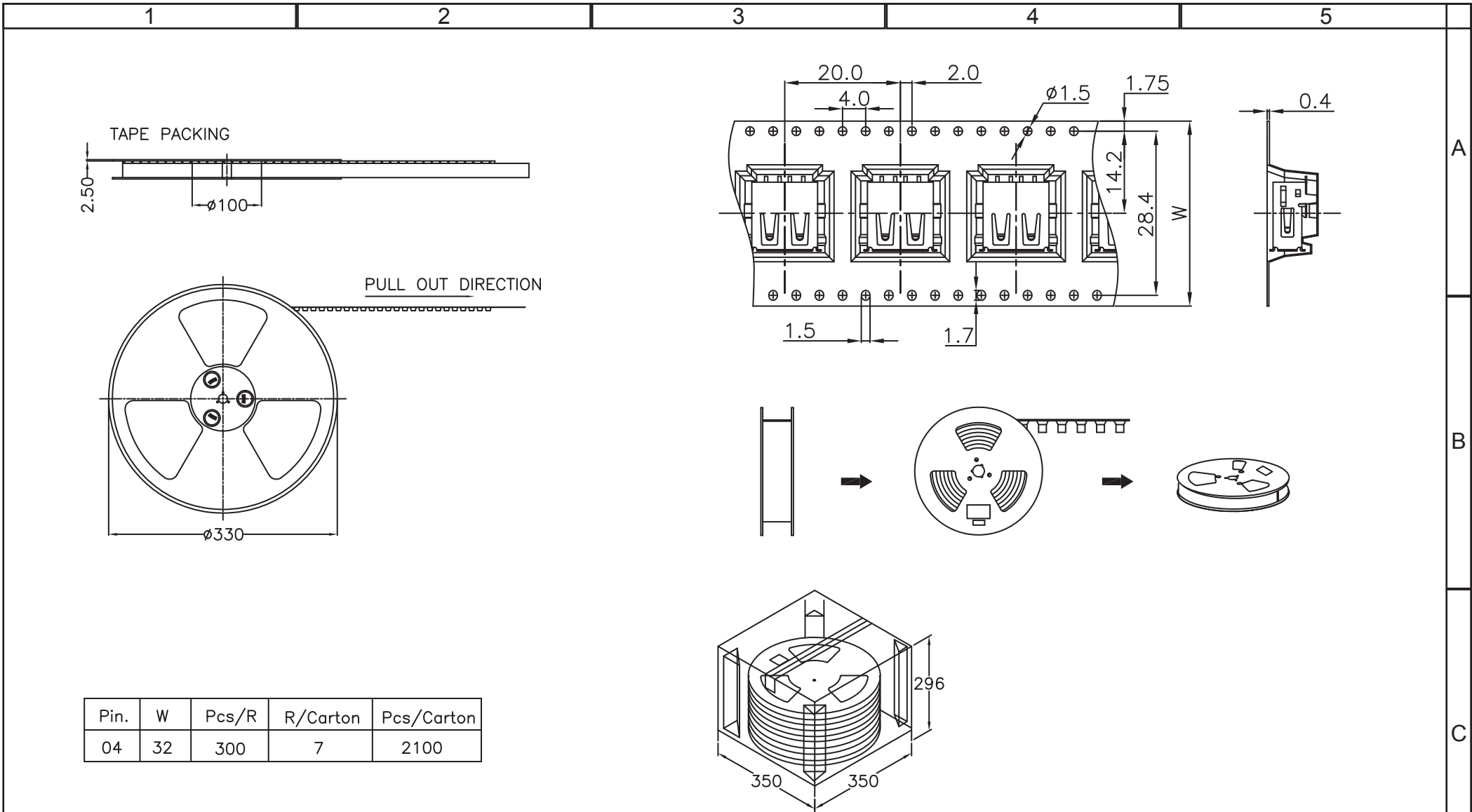


APPROVAL: NPr

UNIT: MM
SCALE:
SHEET: 1/3
DRAW: AS

DESCRIPTION: WR-COM - USB 2.0 TYPE A - HORIZONTAL - SMT - WITH PEGS
WERI PART NO: 629 104 151 021

SIZE
A4



Pin.	W	Pcs/R	R/Carton	Pcs/Carton
04	32	300	7	2100

RoHS Compliant			
G			
F			
E			
D			
C			
B			
A	30-JUL-14	PDF	AS
REV	DATE	FILE	BY

PROJECTION:



APPROVAL: JTs

GENERAL TOLERANCE

.X = ± 0.2

.XX = ± 0.15

UNIT: MM

SCALE:

SHEET: 2/3

DRAW: AS



DESCRIPTION: WR-COM - USB 2.0 TYPE A - HORIZONTAL - SMT - WITH PEGS

WERI PART NO: 629 104 151 021

SIZE

A4

1

2

3

4

5

Cautions and Warnings:

This electronic component is designed and developed with the intention for use in general electronics equipments.

Before incorporating the components into any equipments in the field such as aerospace, aviation, nuclear control, submarine, transportation, (automotive control, train control, ship control), transportation signal, disaster prevention, medical, public information network etc. where higher safety and reliability are especially required or if there is possibility of direct damage or injury to human body, Würth Elektronik must be asked for a written approval.

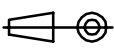

In addition, even electronic component in general electronic equipments, when used in electrical circuits that require high safety, reliability functions or performance, the sufficient reliability evaluation-check for the safety must be performed before by the user before usage.

A

B

C

RoHS Compliant

G				PROJECTION: 	GENERAL TOLERANCE .X = +/- 0.2 .XX = +/- 0.15		
F							
E							
D							
C				APPROVAL: JC	UNIT: MM	DESCRIPTION: DISCLAIMER	SIZE A4
B					SCALE:		
A	10-SEP-14	PDF	QL		SHEET: 3/3	WERI PART NO: DISCLAIMER	
REV	DATE	FILE	BY		DRAW: QL		

D