

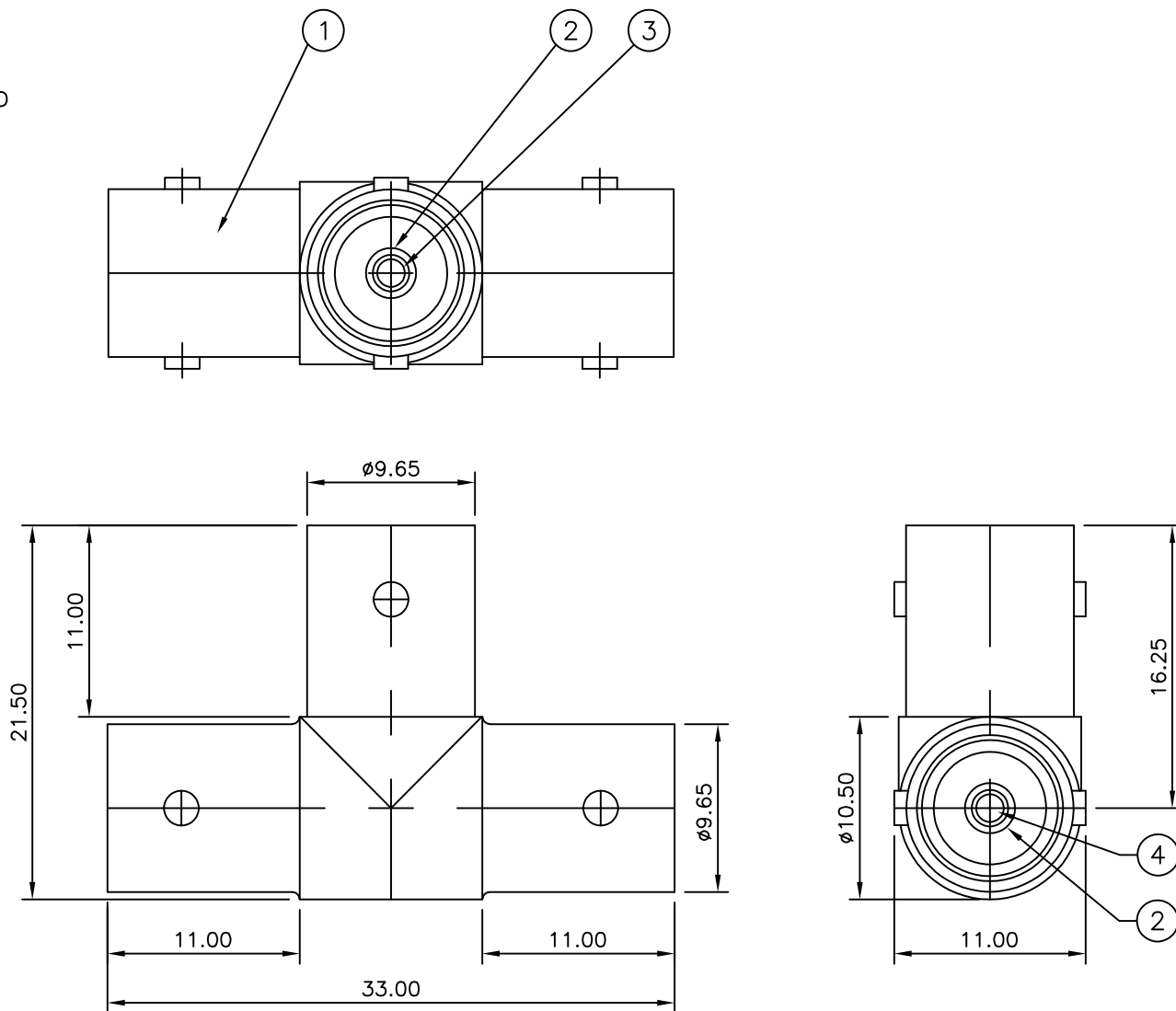
THIS DRAWING IS UNPUBLISHED. RELEASED FOR PUBLICATION MAR , 2006.

© COPYRIGHT 2006 By - ALL RIGHTS RESERVED.

LOC	DIST	REVISIONS					
		P	LTR	DESCRIPTION	DATE	DWN	APVD
E	B		B	ECO-09-003420	19MAR09	RITA	BOB
			C	ECO-12-010787	11JUN12	TITAN	MARTIN

NOTES

- 1 100 TRAY PACK IN ACCORDANCE WITH AMP SPEC 107-3275
- 2 SINGLE PACK IN ACCORDANCE WITH AMP SPEC 107-3275
- 3 Au PLATING
- 4 Ni PLATING
- 5. FOR TECHNICAL DATA REFER TO YOUR LOCAL TYCO ELECTRONICS SALES OFFICE
- 6. ALL DIMENSIONS ARE NOMINAL FOR REFERENCE ONLY UNLESS OTHERWISE STATED



QTY	UNIT	MATERIAL	DESCRIPTION	ITEM
1	1	PHOS BRONZE	CONTACT 2	4
1	1	PHOS BRONZE	CONTACT 1	3
3	3	POLYMETHYLPENTENE	INSULATOR	2
1	1	ZINC ALLOY	BODY	1
5--1	5--0	MATERIAL	DESCRIPTION	ITEM

THIS DRAWING IS A CONTROLLED DOCUMENT.		DWN RITA ZUO 19MAR09	<b>STE</b> TE Connectivity	
DIMENSIONS: mm		CHK ANSON MA 19MAR09		
TOLERANCES UNLESS OTHERWISE SPECIFIED:		APVD BOB ZHAO 19MAR09	NAME BNC T - ADAPTOR JACK - JACK - JACK	
0 PLC ± -		PRODUCT SPEC 108-112000	SIZE A3	
1 PLC ± -		APPLICATION SPEC	CAGE CODE 00779	DRAWING NO C-1634535
2 PLC ± -		WEIGHT -	RESTRICTED TO -	
3 PLC ± -		MATERIAL SEE TABLE	SCALE NTS	
4 PLC ± -		FINISH -	SHEET 1 OF 1	
ANGLES ± -		CUSTOMER DRAWING		
FINISH		REV C		