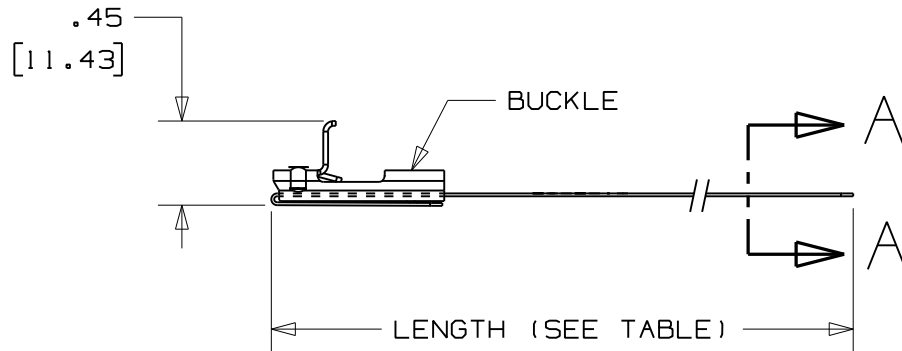
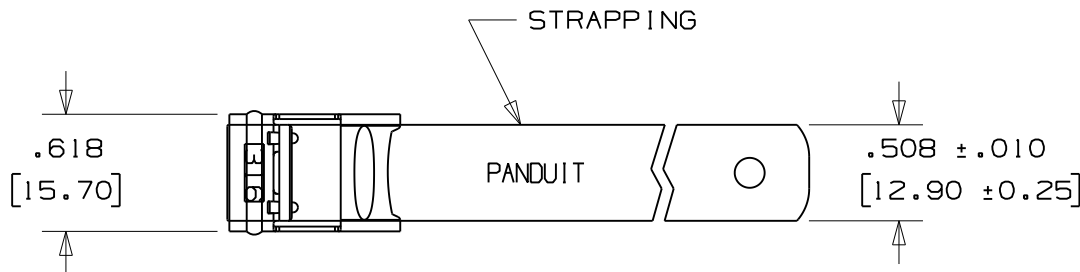
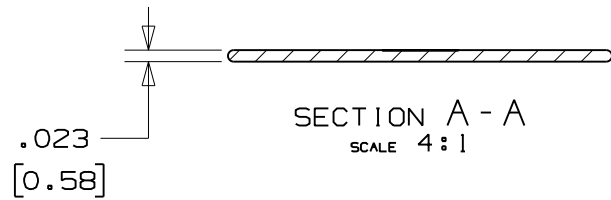


THIS COPY IS PROVIDED ON A RESTRICTED BASIS AND IS NOT TO BE USED IN ANY WAY DETRIMENTAL TO THE INTERESTS OF PANDUIT CORP.

PART NUMBER	MAX BUNDLE DIAMETER [ mm ]	LENGTH +/- .1 [ 2 ]
MSC4W50T15-L6	4" [ 102 ]	18.0" [ 457 ]
MSC6W50T15-L6	6" [ 152 ]	24.4" [ 620 ]
MSC8W50T15-L6	8" [ 203 ]	30.7" [ 780 ]
MSC10W50T15-L6	10" [ 254 ]	37.0" [ 940 ]



NOTES:

1. APPLICATION TOOLS: BT2MS75, BT2HT
2. ALL DIMENSIONS IN BRACKETS [ ] ARE MILLIMETERS.
3. BASE MATERIAL: 316 STAINLESS STEEL.
4. 100% COATED WITH BLACK NYLON OR POLYESTER.
5. COATING THICKNESS: .003/.005 [ .076/.127 ] PER SIDE.
6. TOLERANCES (UNLESS OTHERWISE SPECIFIED):  
 $\epsilon.X \pm .03 [ .8 ]$   
 $.XX \pm .02 [ .5 ]$   
 $.XXX \pm .007 [ .18 ]$

N41168BS\_DC/00A

							<b>PANDUIT</b> CORP. TINLEY PARK, ILLINOIS				
OOA	10/08	JAMB	SKB	ORIG REV WAS 00, ORIG CAD FILE SPEC WAS S41168_00 NOTE 1: APPLICATION TOOL BT1HT REPLACED BY BT2HT			COATED METAL STRAPPING .500" [ 12.7 ] WIDE CUSTOMER DRAWING				
OO	10/03	BRH	EJD	RELEASED	11159	CCH	JJB				
REV	DATE	BY	CHK	DESCRIPTION	ECN #	PM	CUST	DRAWN BY BRH	CHK'D EJD	SCALE FULL	DRAWING NO. N41168BS_DC