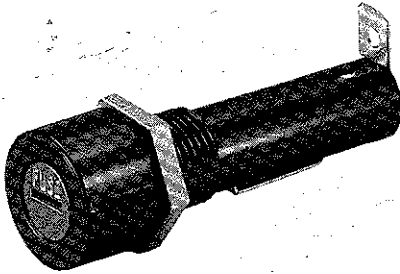


# FUSEHOLDERS PANEL MOUNT TYPE

## Screwdriver Slot Knob Type for 3AG or 8AG Fuses

341 000 Series  
371 000 Series



F001-ND

CATALOG NUMBER	
3AG TYPE	8AG TYPE
341 001	371 001

**APPROVALS:** 3AG fuseholders are Recognized under the Components Program of Underwriters Laboratories and Certified by C.S.A.

**SPECIFICATIONS:**

**Electrical:** Rated at 15 amperes for any voltage up to 250V.

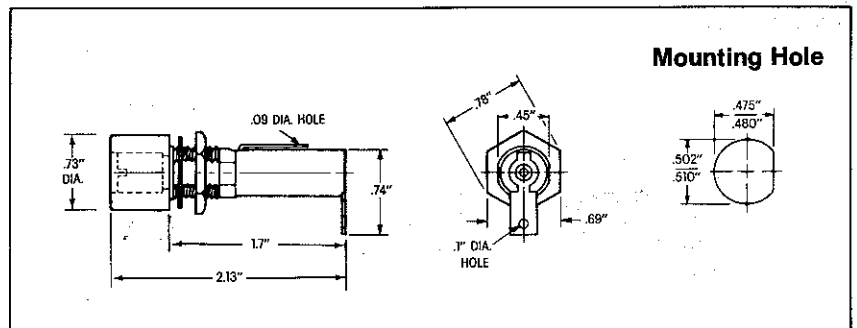
**Mounting:** Withstands 15 lb.-in. mounting torque; maximum panel thickness is .31".

**Molded Parts:** Finger grip knobs and bodies are black thermoset. Screwdriver type knob is red thermoset.

**Knobs:** Screw-type with white lettering on 3AG styles and blue lettering on 8AG styles.

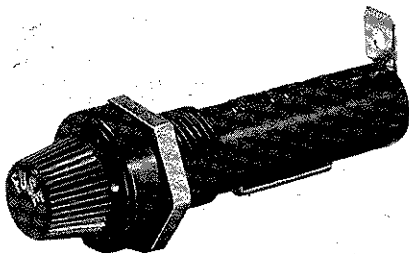
**Terminals:** Brass. Tin-plated. Solder type.

**Hardware:** Neoprene washer, lockwasher and hex nut, unassembled.



## Fingergrip Knob Type for 3AG or 8AG Fuses

342 000 Series  
372 000 Series



F002-ND

CATALOG NUMBER	
3AG TYPE	8AG TYPE
342 001	372 001

**APPROVALS:** See above.

**SPECIFICATIONS:** See above.

