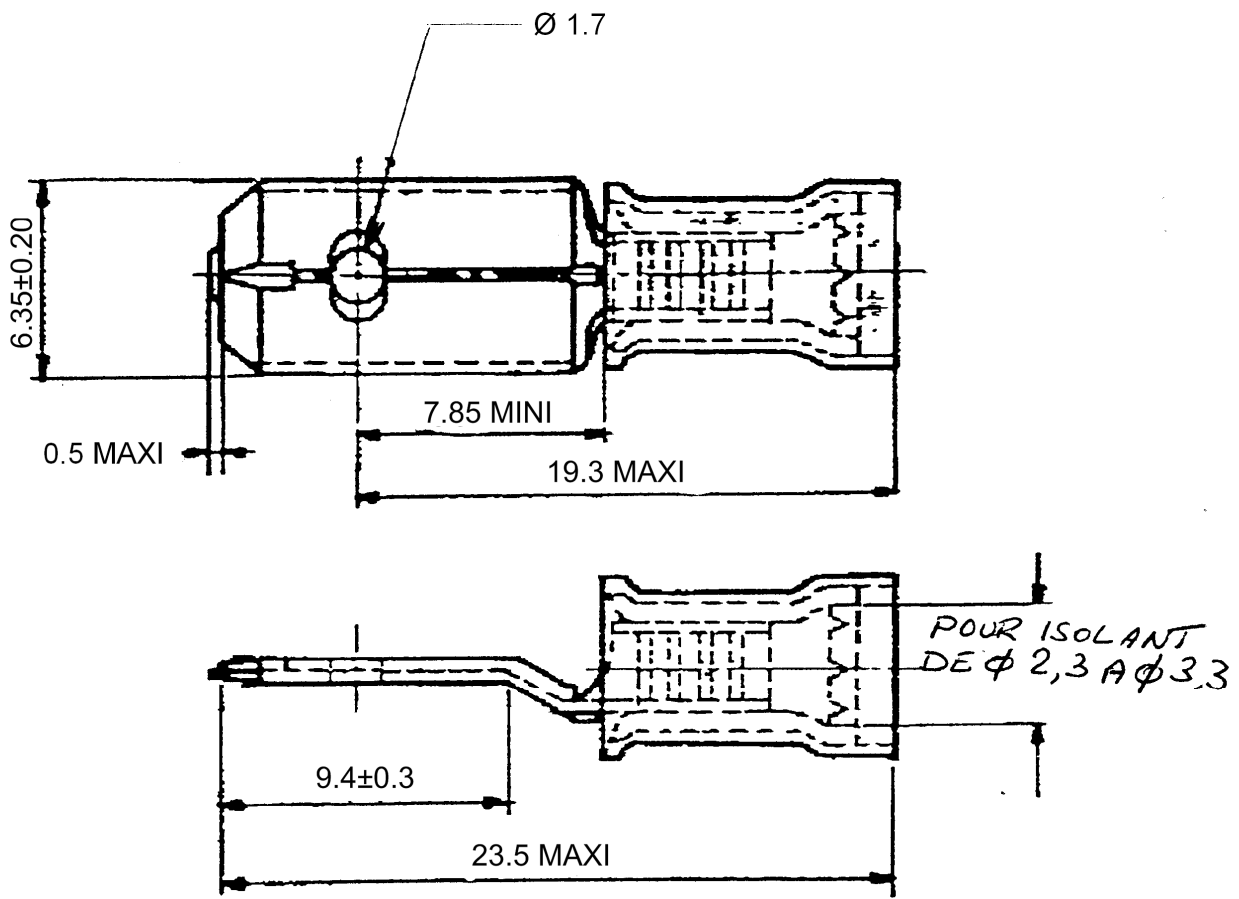


NUMERO
C - 140896



(E)

REFERENCE	FINITION
140896-1	BRUT
140896-2	ETAME

OBSOLETE (REV.C)

DIMENSIONS IN MM DO NOT SCALE PRINT.

E1	TOLERANCE UPDATE	GM	PEG	SEPT 2008	© 1988 BY AMP INCORPORATED, ALL RIGHTS RESERVED. AMP PRODUCTS COVERED BY PATENTS AND/OR PATENTS PENDING.	CUSTOMER COPY REFERENCE ONLY
E	Ajouté tableau	GR	09/97			
D	Matière Manchon	JD			MATERIAL AND FINISH Laiton $\text{sp: } 0,4$ Manchon, Nylon	AMP AMP DE FRANCESA POMTOISE CLASS 6,35 Série
C	Retrait: -1 brut					
B	Revisé	FS			WIRE - RANGE - INSULATION $0.5 \text{ à } 1 \text{ mm}^2$ 230 23	TYPE P.I.D. 6
A	Revisé				TOLERANCE EXCEPT AS NOTED ± 0.15 $\pm 1^\circ$	SCALE 4:1
REV	REVISION SECOND	DR	CHK	DATE	CLASS A	NO C 140896
GRAND N. 15.11.10					NAME LANGUETTE FASTON P.I.D. 6	

PRINT DIST