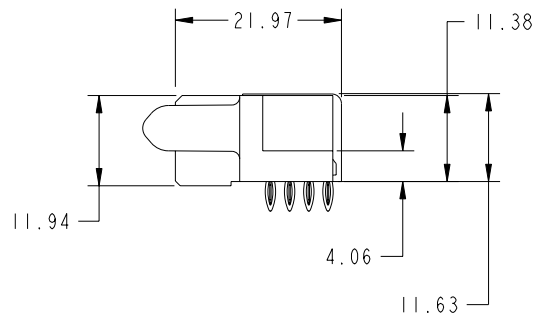
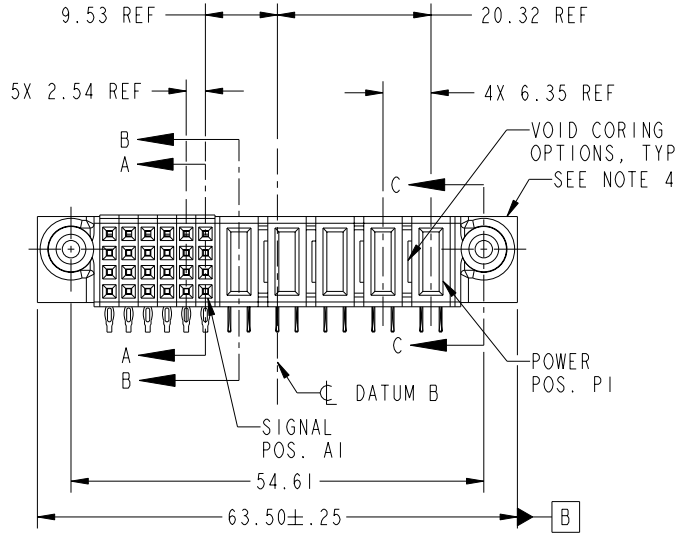
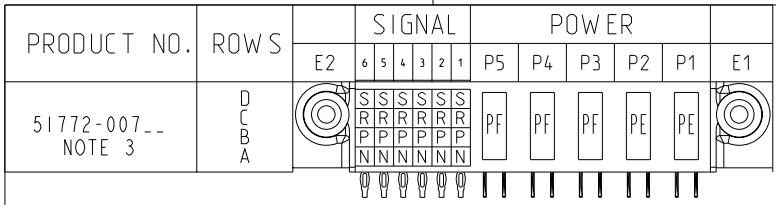


Tous droits strictement réservés. Reproduction ou communication o des tiers interdite sous quelque forme que ce soit sans autorisation écrite du propriétaire. Propriete de c FCI. Droits de reproduction FCI.

All rights strictly reserved. Reproduction or issue to third parties in any form whatever is not permitted without written authority from the proprietor. Property of FCI. Copyright FCI.



CODE	DIM "M" MATING LENGTH	CONTACT TYPE
PF	[2.34]	POWER
S	[N/A]	SIGNAL
R	[N/A]	SIGNAL
P	[N/A]	SIGNAL
N	[N/A]	SIGNAL
PE	[1.07]	POWER

mat'l code SEE NOTE 2				tolerances unless otherwise specified		CUSTOMER		FCI www.fciconnect.com	
ltr	ecn no.	dr	date	linear	0.X ± 0.3	COPY		title	
A	DG06-0482	JULIA	11/20/06	angles	0.XX ± 0.13	projection		5P + 24S	
					0.XXX ± 0.051	MM		R/A PRESS FIT RECEPTACLE	
				dr	0° ± 2°	scale		product family PwrBlade code	
				enr	JULIA WANG 11/20/06	1:1		size	
				chr	RYAN YUAN 11/20/06			dwg no	
				appd	BEER FU 11/20/06			A 51772-007	
					JOSEPH HSIA 11/20/06			sheet 213	
sheet index	revision sheet	A 1	A 2	A 3	A 4			1 of 4	

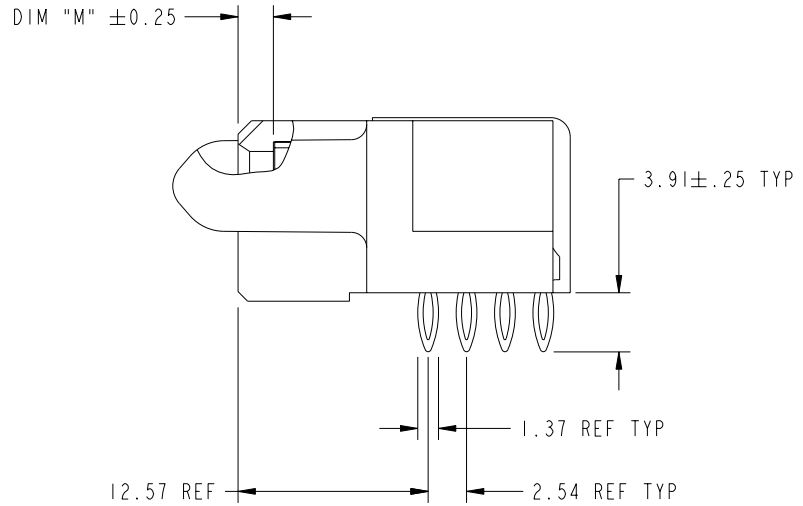
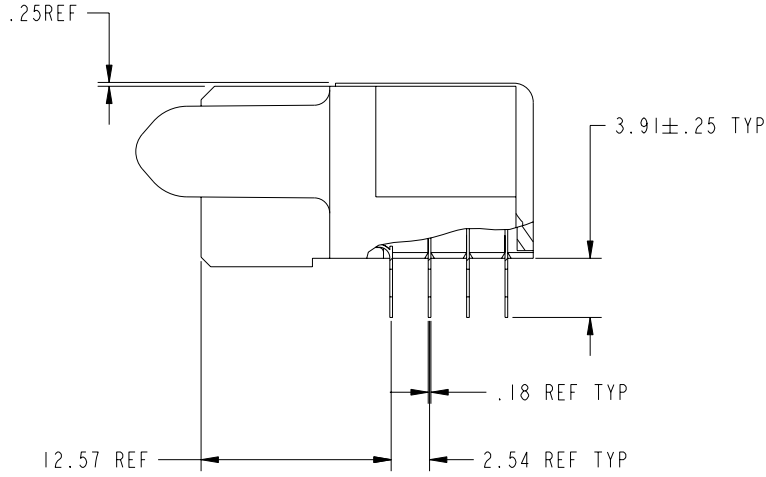
Pro/E cage code 22526

Tous droits strictement reserves. Reproduction ou communication a des tiers interdite sous quelque forme que ce soit sans autorisation ecrite du proprietaire. Propriete de c FCI. Droits de reproduction FCI.

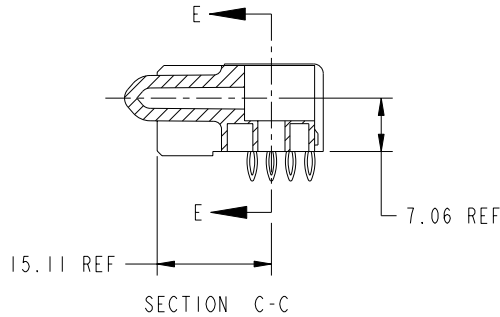
All rights strictly reserved. Reproduction or issue to third parties in any form whatever is not permitted without written authority from the proprietor. Property of FCI. Copyright FCI.



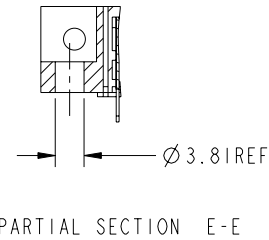
PRODUCT NUMBER
51772-007--
NOTE 3



BROKEN-OUT SECTION A-A
SCALE 2:1



BROKEN-OUT SECTION B-B
SCALE 2:1



mat'l code SEE NOTE 2				tolerances unless otherwise specified		CUSTOMER	FCI www.fciconnect.com	
ltr	ecr no.	dr	date	linear	0.X ± 0.3	COPY	title	
A				linear	0.XX ± 0.13	projection	5P + 24S R/A PRESS FIT RECEPTACLE	
				angles	0.XXX ± 0.051	 MM 1:1	product family	PwrBlade
				dr	JULIA WANG 11/20/06		size	dwg no
				enr	RYAN YUAN 11/20/06	scale	A	51772-007
				chr	BEER FU 11/20/06			sheet
				appd	JOSEPH HSIA 11/20/06			2 of 4
sheet index	revision sheet							

Pro/E

cage code 22526

PDM: Rev:A

STATUS: Released

Printed: Dec 20, 2010

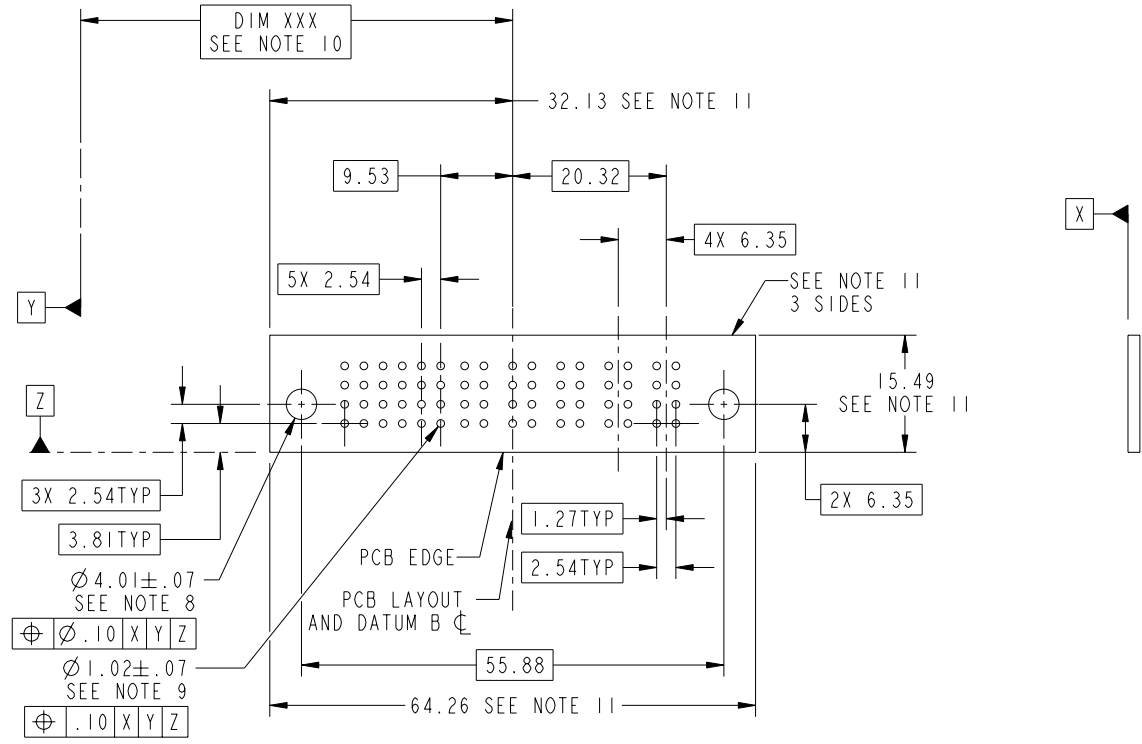
Tous droits strictement reserves. Reproduction ou communication o des tiers interdite sous quelque forme que ce soit sans autorisation ecrite du proprietaire. Propriete de c FCI. Droits de reproduction FCI.



All rights strictly reserved. Reproduction or issue to third parties in any form whatever is not permitted without written authority from the proprietor. Property of FCI. Copyright FCI.

PRODUCT NUMBER

51772-007__
NOTE 3



mat'l code				SEE NOTE		tolerances unless otherwise specified		CUSTOMER		FCI www.fciconnect.com		
ltr	ecn no.	dr	date	linear	0.X ± 0.3		COPY		title 5P + 24S R/A PRESS FIT RECEPTACLE			
A					0.XX ± 0.13		projection					
					angles	0.XXX ± 0.051		MM		product family PwrBlade code		
				0° ± 2°		scale		size		213		
				dr	JULIA WANG	11/20/06	A		dwg no		3 of 4	
				enr	RYAN YUAN	11/20/06	1:1		A		51772-007	
				chr	BEER FU	11/20/06						
				appd	JOSEPH HSIA	11/20/06						
sheet index		revision sheet										



5P + 24S
R/A PRESS FIT RECEPTACLE
product family PwrBlade code
size dwg no
A 51772-007
sheet 3 of 4

cage code 22526

Pro/E

Tous droits strictement réservés. Reproduction ou communication o des tiers interdite sous quelque forme que ce soit sans autorisation écrite du propriétaire. Propriété de c FCI. Droits de reproduction FCI.



All rights strictly reserved. Reproduction or issue to third parties in any form whatever is not permitted without written authority from the proprietor. Property of FCI. Copyright FCI.

PRODUCT NUMBER

51772-007__
NOTE 3

NOTES:

1. DIMENSIONS AND TOLERANCES ARE IN ACCORDANCE WITH ASME Y14.5M, 1994 UNLESS OTHERWISE SPECIFIED.

CONNECTOR NOTES:

- 2 HOUSING MATERIAL: UL 94 V-0 GLASS FILLED
HIGH-TEMP THERMOPLASTIC
POWER CONTACT MATERIAL: COPPER ALLOY
SIGNAL PIN MATERIAL: COPPER ALLOY
- 3. PLATING:
51772-007,51772-007LF PLATING SPEC. WAS SHOWN IN THE PRINT OF 10064183.
- 4 MANUFACTURER'S NAME, P/N, AND DATE CODE TO APPEAR ON THIS SURFACE.
- 5. PRODUCT SPECIFICATION GS-12-149.
APPLICATION SPECIFICATION BUS-20-067.
- 6. PACKAGED IN TRAYS.

PCB NOTES:

- 7. ALL HOLE DIAMETERS ARE FINISHED HOLE SIZE.
- 8 MOUNTING HOLES, WHERE APPLICABLE, ARE UNPLATED.
- 9 $\varnothing 1.151 \pm 0.025$ DRILLED HOLES PLATED WITH
0.008 MIN SnPb OR Sn OVER 0.03
TO 0.08 Cu PLATING TO ACHIEVE
 $\varnothing 1.02 \pm .07$ HOLE.
- 10 "DIM XXX" TO BE DETERMINED BY THE CUSTOMER.
- 11 CONNECTOR KEEP-OUT ZONE.
- 12. USE FCI CAM TOOL 430140-XXX
TO APPLY CONNECTOR TO PCB.

mat'l code		SEE NOTE 2		tolerances unless otherwise specified		CUSTOMER		www.fciconnect.com	
ltr	ecn no.	dr	date	linear	0.X ± 0.3	COPY		title	
A				linear	0.XX ± 0.13	projection		5P + 24S	
				angles	0.XXX ± 0.051			R/A PRESS FIT RECEPTACLE	
				dr	JULIA WANG 11/20/06			product family PwrBlade code	
				enr	RYAN YUAN 11/20/06	scale		size	
				chr	BEER FU 11/20/06	1:1		A 51772-007	
				appd	JOSEPH HSIA 11/20/06			sheet 213	
sheet index	revision sheet							4 of 4	

Pro/E

cage code 22526

PDM: Rev:A

STATUS: Released

Printed: Dec 20, 2010