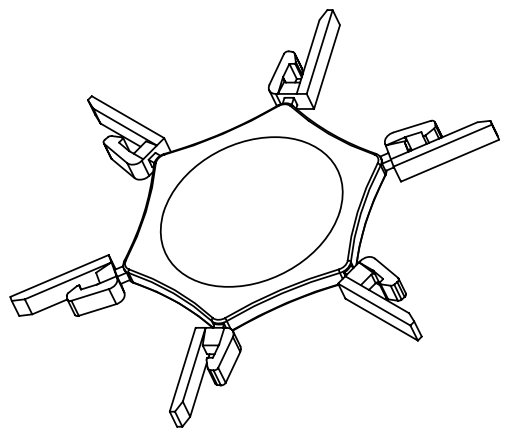


PRODUCT NUMBER	PITCH
AF00002000JOG	NA

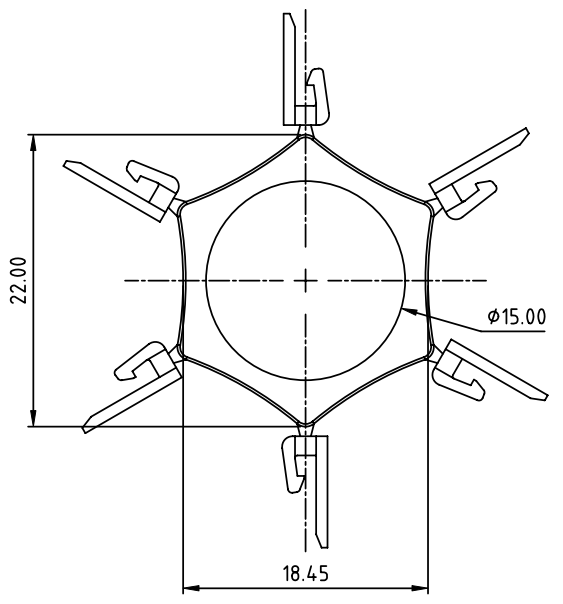
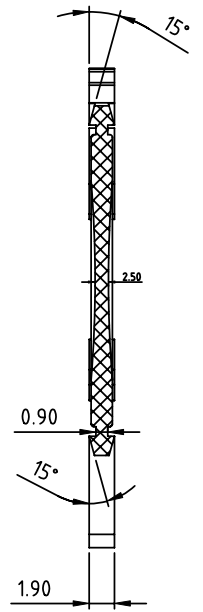
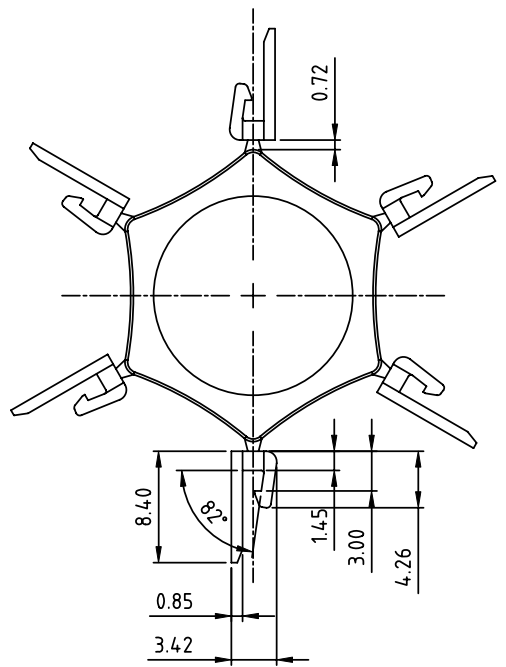


Material
 ● Insulator (housing): Thermoplastic (UL94V-0)
 Color: Red (RAL3001/D)

Match with the following series
 Pitch 5.0/5.08/7.5/7.62

	OQ	VK	VE	VL	VF	VZ
AF	●	●	●	●	●	●

	V5	V8	H5	EU	KE
AF	●	●	●	●	●



mat'l. code		surface ASME Y14.5	tolerance ASME Y14.5	projection MM	product family TERMINAL BLOCK	
ltr	ecn	no	dr	date	title TERMINAL BLOCK ACCESSORIES, CODING KEY	
					scale	
					sheet 1 of 1 size A4	
					type CUSTOMER Drawing	
					FCI	
dr	ENGR	EVIN ZHONG	070814			
enr	EVIN ZHONG	070814				
chr	HANKE FENG	070814				
appd	SHI JUN	070814				
sheet index	revision	A	1			