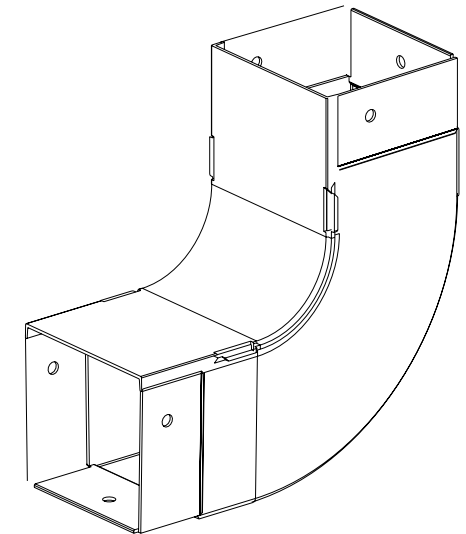
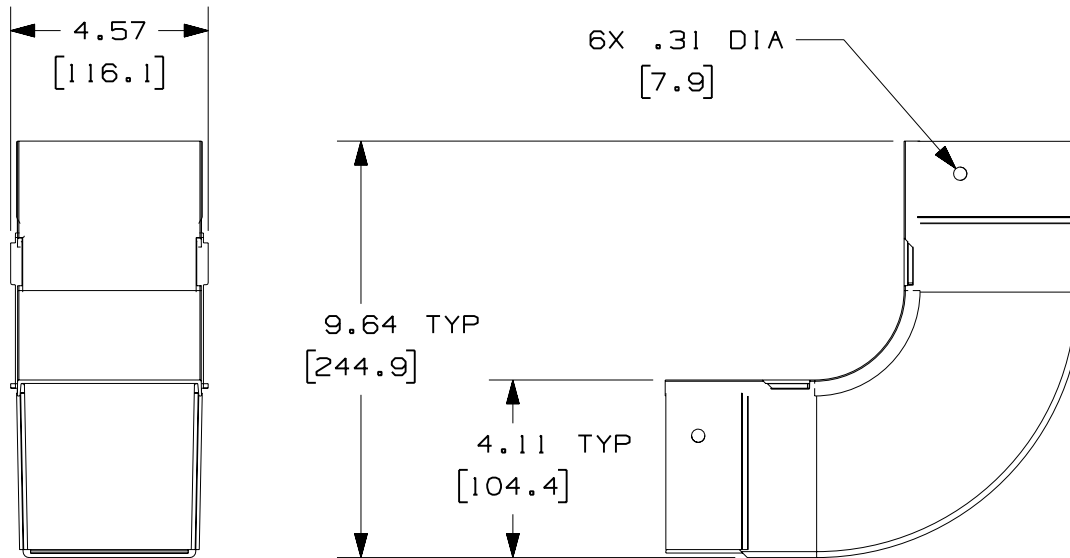


PANDUIT PART NUMBER	WEIGHT
FIVRA4X4	0.90 LB/EACH (406g/EACH)



NOTES:

1. SEE CURRENT CATALOG FOR ADDITIONAL PART SUFFIXES TO INDICATE COLOR AND/OR PACKAGE QUANTITY.
2. THE FIBER-DUCT 4x4 INSIDE VERTICAL RIGHT ANGLE FITTING IS DESIGNED WITH A MINIMUM 2" (50.8) BEND RADIUS TO PROTECT FIBER OPTIC CABLES.
3. DIMENSIONS IN PARENTHESES ARE IN METRIC.



ENG. REF.: D35245BE_DC_FIVRA4X4_05.prt

CAD FILENAME/LAYERS

FIVRA4X4.pdf

PANDUIT CORP TINLEY PARK, ILLINOIS
FIBER-DUCT 4x4 INSIDE VERTICAL RIGHT ANGLE FITTING (FIVRA4X4)
 CUSTOMER DRAWING

UNLESS OTHERWISE SPECIFIED, DIMENSIONAL TOLERANCES ARE:

(.X) ± (.XXX) ±
 (.XX) ± .03 (.8) ANGLES ±

UNLESS OTHERWISE SPECIFIED, ALL DIMENSIONS ARE GIVEN IN INCHES, THIRD ANGLE PROJECTION.

DRAWN BY: DW
 DATE: 1-26-96
 CHK'D: CEF

MAT'L:

ABS

SCALE: NONE

DRAWING NO.: 35245-05

DWG SIZE: A

REV	DATE	BY	CHK	DESCRIPTION	ECN	R	CUST	SUP	GMBH
-	-----	---	---	L. REVISED GENERAL NOTES. K. REVISED PART WEIGHT.	-----	--	--		
-	-----	---	---	J. REVISED MATERIAL. I. REVISED DRAWING TITLE.	-----	--	--		
5	12-14-06	MSO	RN	H. REVISED CAD FILENAME. G. REVISED AND REDRAWN.	35245-05	RN	RN		