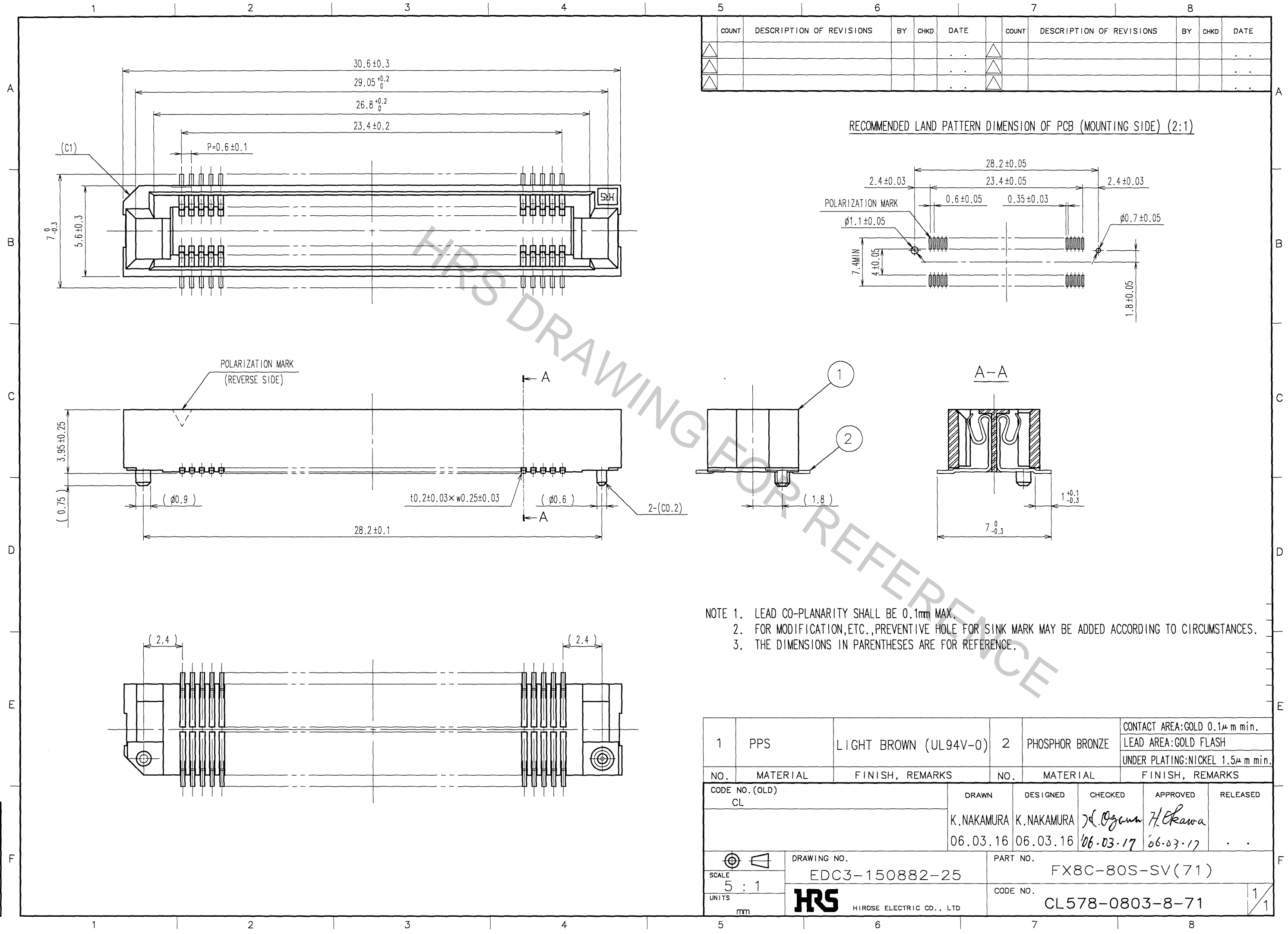
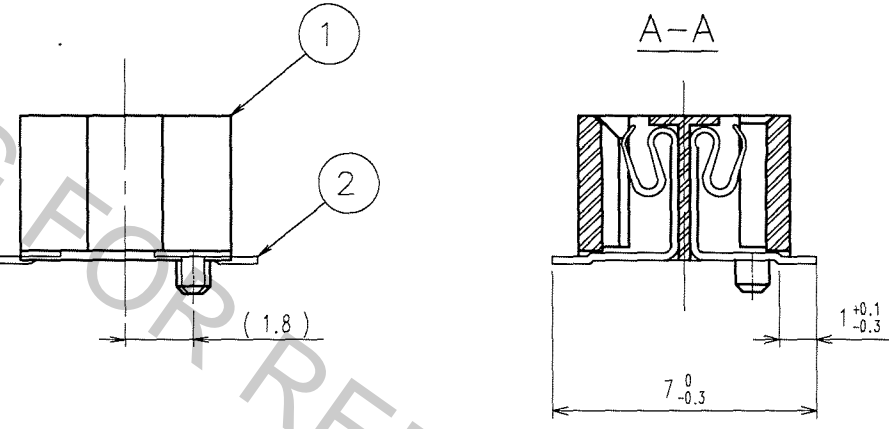


Apr.1.2017 Copyright 2017 HIROSE ELECTRIC CO., LTD. All Rights Reserved.



| COUNT | DESCRIPTION OF REVISIONS | BY | CHKD | DATE | COUNT | DESCRIPTION OF REVISIONS | BY | CHKD | DATE |
|-------|--------------------------|----|------|------|-------|--------------------------|----|------|------|
| △     |                          |    |      |      | △     |                          |    |      |      |
| △     |                          |    |      |      | △     |                          |    |      |      |
| △     |                          |    |      |      | △     |                          |    |      |      |

RECOMMENDED LAND PATTERN DIMENSION OF PCB (MOUNTING SIDE) (2:1)



NOTE 1. LEAD CO-PLANARITY SHALL BE 0.1mm MAX.  
 2. FOR MODIFICATION, ETC., PREVENTIVE HOLE FOR SINK MARK MAY BE ADDED ACCORDING TO CIRCUMSTANCES.  
 3. THE DIMENSIONS IN PARENTHESES ARE FOR REFERENCE.

|                      |                                 |                                    |                                 |                                  |  |
|----------------------|---------------------------------|------------------------------------|---------------------------------|----------------------------------|--|
| 1                    | PPS                             | LIGHT BROWN (UL94V-0)              | 2                               | PHOSPHOR BRONZE                  | CONTACT AREA: GOLD 0.1μm min.<br>LEAD AREA: GOLD FLASH<br>UNDER PLATING: NICKEL 1.5μm min. |
| NO.                  | MATERIAL                        | FINISH, REMARKS                    | NO.                             | MATERIAL                         | FINISH, REMARKS  |
| CODE NO. (OLD)<br>CL | DRAWN<br>K.NAKAMURA<br>06.03.16 | DESIGNED<br>K.NAKAMURA<br>06.03.16 | CHECKED<br>J. Ozawa<br>06.03.17 | APPROVED<br>H. Okawa<br>06.03.17 | RELEASED   |
| SCALE<br>5 : 1       | DRAWING NO.<br>EDC3-150882-25   | PART NO.<br>FX8C-80S-SV(71)        | CODE NO.<br>CL578-0803-8-71     | 1/1                              |  |
| UNITS<br>mm          | HRS HIROSE ELECTRIC CO., LTD    |                                    |                                 |                                  |  |

TO  
PCK