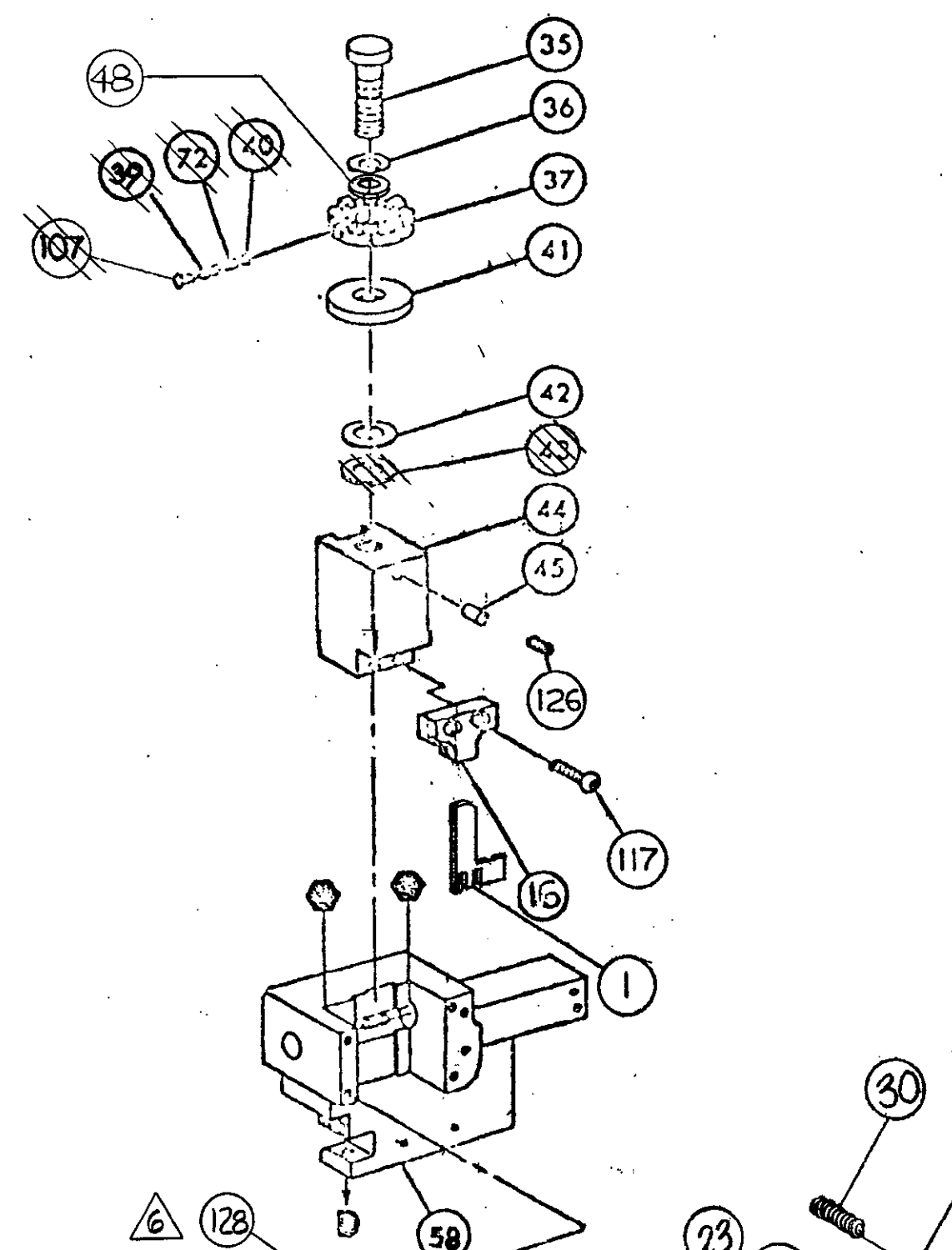
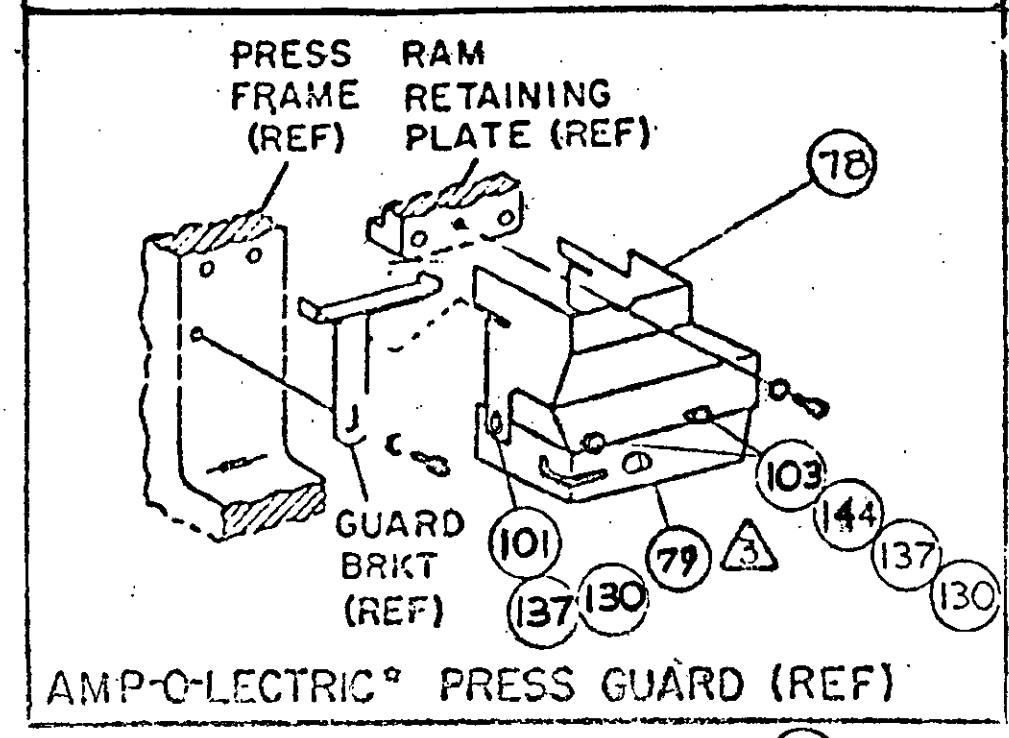
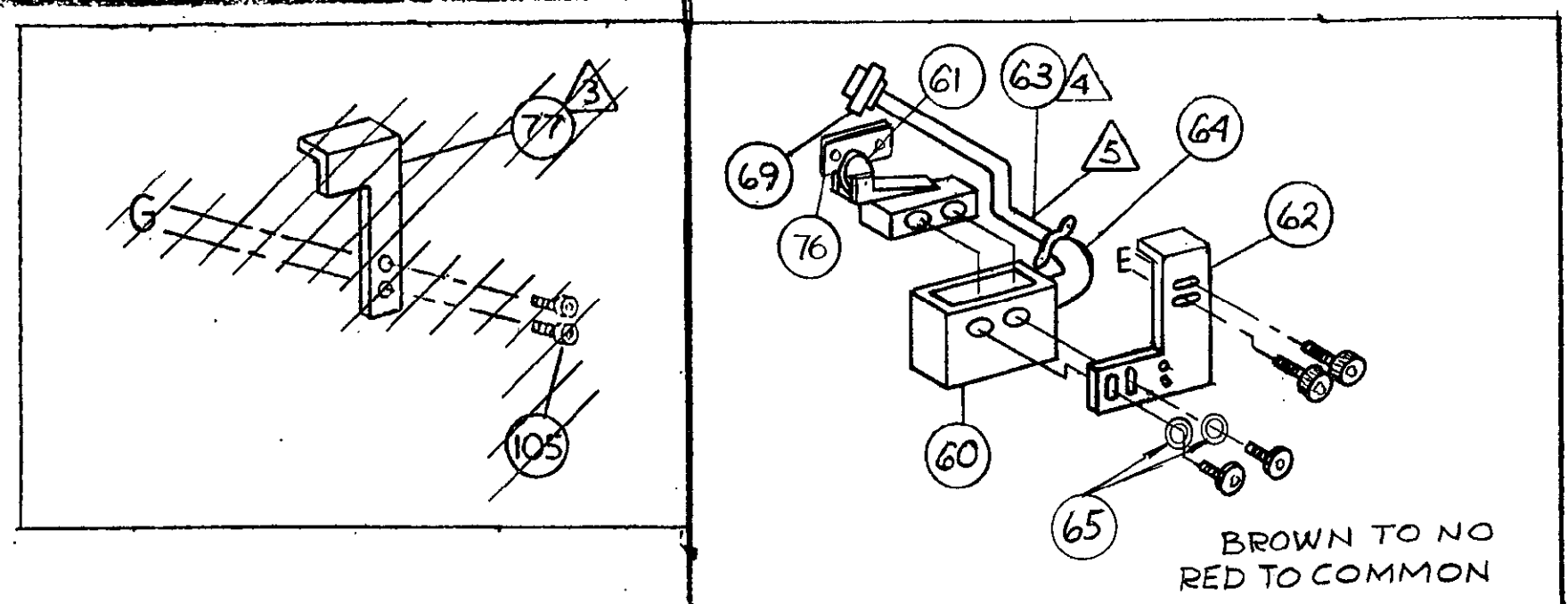
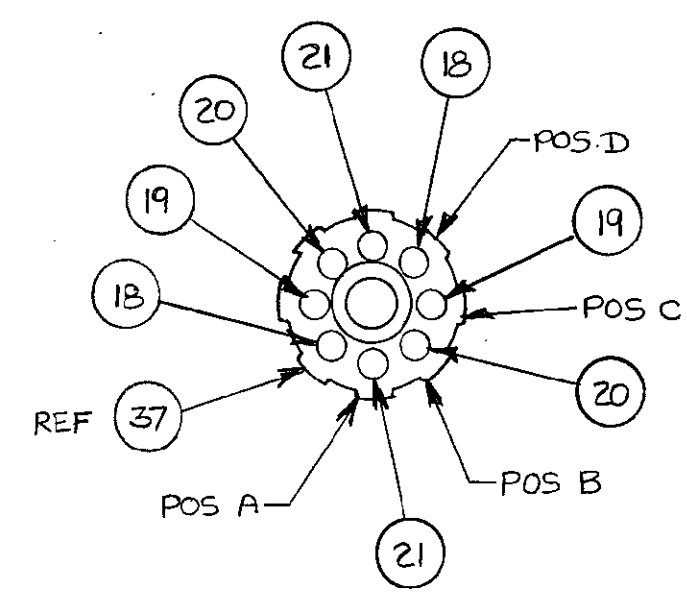
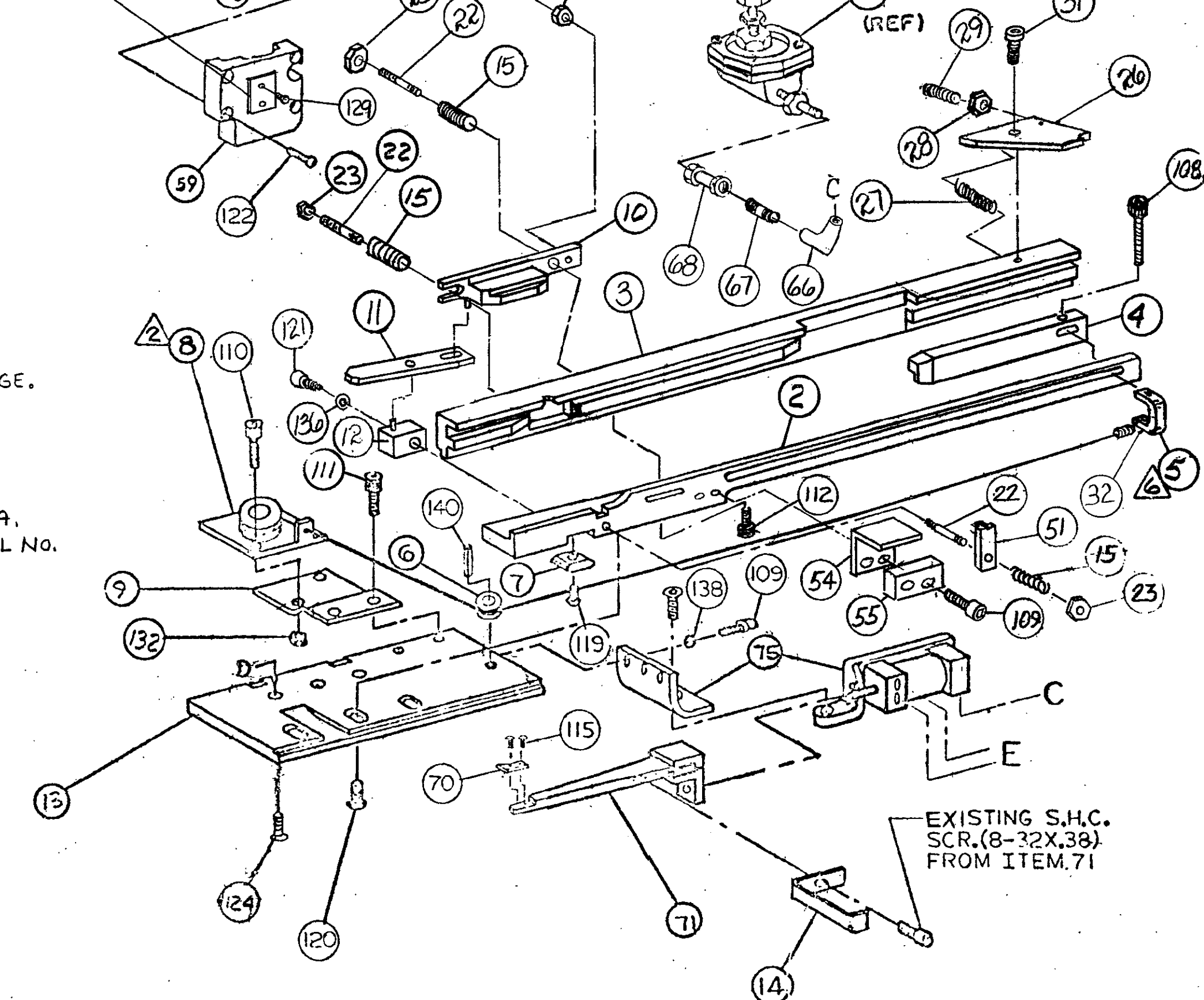


THIS DRAWING IS A CONTROLLED DOCUMENT.



- NOTES:
- 1 ONLY THE ITEMS WITH QUANTITIES SPECIFIED ON PARTS LIST ARE USED ON THIS APPLICATOR.
 - 3 GUARD MUST BE IN PLACE WHEN OPERATING APPLICATOR IN AMP-O-ELECTRIC PRESS.
 - 4 LOOSE PIECE TERMINALS SHIPPED WITH ITEM 63. SEE SHEET 2 FOR POSSIBLE USAGE.
 - 5 SEE SHEET 2 FOR INSTALLATION OF INTERLOCK SWITCH AND CABLE, ITEMS 61 AND 63.
 - 6 IDENTIFY PER SPEC 106-2, PARA 3.3, A. STAMP PN 466728-1, MTA .100 & SERIAL NO.
- KEY:
- RECOMMENDED SPARE PARTS.
 - ▲ LUBRICATE DAILY USING NO. 20 MACHINE OIL
 - GREASE LIGHTLY



QTY	PART NO	DESCRIPTION	ITEM NO
1	020274-1	DOCUMENTATION PACKAGE	145
2	26928-3	SPACER, SPLIT ROLLED (#8X.50) GUARD	144
			143
			142
1	21029-9	PIN, SLOT, SPG.(.187X 1.00)HOUSING,DRAG	141
1	21029-4	PIN, SLOT, SPG.(.187X.62) PULLEY	140
			139
3	21023-6	WASHER, FLAT(#8) AIR FEED ASS'Y	138
7	21023-6	WASHER, FLAT(#8) GUARD	137
7	21024-3	WASHER, LOCK(#6)	136
			135
		WASHER, LOCK(#4) STOP, HOUSING	134
			133
2	21022-3	NUT, HEX.SELF-LKG (10-32) REEL, RETRIEVER	132
			131
3	21018-6	NUT, HEX.MACH.(8-32) GUARD	130
2	21017-2	SCR, DRIVE, #2 X.19	129
1	464249-1	PLATE, IDENTIFICATION	128
1	21009-2	SCR, SOC.SET(SPECIAL) DRAG ADJ.	127
		SCR, SOC.SET(1/4-20X.25)(LOC-WEL) RAM	126
		SCR, SOC.SET(8 32X.19) DRAG ADJ.	125
3	2-22733-9	SCR, BTN.HD.SOC.CAP(1/4-20X.75)(LOC-WEL)PLT.	124
		SCR, BTN.HD.SOC.CAP	123
4	2-21002-9	SCR, BTN.HD.SOC.CAP(10-32X.75) CAP, RAM	122
7	2-21000-0	SCR, SOC.HD.SOC.CAP(6-32X.50) HOLDER, DRAG	121
3	2-21002-6	SCR, BTN.HD.SOC.CAP (10-32X.38) TRACK, HOUS.	120
1	2-21002-6	SCR, BTN.HD.SOC.CAP (10-32X.38) LOCATOR, F. T.	119
		SCR, BTN.HD.SOC.CAP	118
2	2-21002-1	SCR, BTN.HD.SOC.CAP (8-32X.38) STUFFER, WIRE	117
		SCR, BTN.HD.SOC.CAP	116
2	1-21000-4	SCR, SKT.HD.SOC.CAP (4-40X.38) TIP, F. FINGER	115
			114
			113
5	1-21000-9	SCR, SKT. HD.CAP (6-32 X.38) BLOCK, F. GUIDE	112
2	3-21000-4	SCR, SKT. HD.CAP(10-32X.375) MOUNT, RET. REEL	111
2	3-21000-4	SCR, SKT. HD.CAP(10-32X.375) REEL, RETRIEVER	110
5	2-21000-8	SCR, SKT.HD.CAP (8-32X.62) AIR FEED ASS'Y	109
7	1-21000-7	SCR, SKT.HD.CAP (4-40X.75) PUSHER	108
		SCR, SKT.HD.CAP (6-32X.25)(LOC-WEL) DISC	107
			106
			105
7	21000-9	SCR, SKT.HD.CAP (4-40X.18) GUARD, AIR CYL.	104
2	7-22468-4	SCR, BIND.HD.MACH. (8-32X.89) GUARD	103
			102
1	7-22468-0	SCR, BIND.HD.MACH. (8-32X.38) GUARD	101
1	461870-2	GUARD, WINDOW	79
1	457133-1	SHROUD	78
		GUARD, AIR CYLINDER	77
			76
1	465803-1	NUT, MOUNTING	75
1	460277-5	AIR FEED ASSEMBLY	74
1	692655-1	AIR FEED VALVE ASSEMBLY-692655-5	74
1	24042-2	VALVE, 3-WAY SLEEVE (SHUT OFF)	73
1	690603-1	SPRING, ASSIST	72
1	1-460680-1	FEED FINGER ASSEMBLY	71
1	463090-3	TIP, FEED FINGER	70
1	22787-2	CONNECTOR, BOX	69
1	22302-1	COUPLING, FEMALE	68
1	22313-5	NIPPLE	67
1	22306-1	ELBOW, STREET 90°	66
2	21023-6	FLAT WASHER, LIGHT-SERIES #8	65
1	22803-1	CONNECTOR, 90° BOX	64
1	465918-1	WIRE, SJO TERMINATED	63
1	462453-2	BRACKET, SWITCH	62
1	23699-1	SWITCH, MICRO	61
1	23486-1	COVER, MICRO SWITCH	60
QTY	PART NO	DESCRIPTION	ITEM NO
	461867-1	CAP, RAM	59
	462179-1	HOUSING	58
			57
			56
	684235-1	BLOCK, RETAINER, FINGER	55
	684236-1	BRACKET, RETAINER, FINGER	54
			53
			52
	681118-1	LOCATOR, HOUSING	51
			50
			49
	986950-1	WASHER, FLAT, PRECISION	48
			47
			46
	690191-1	PLUG, NYLON	45
	461865-1	RAM	44
	690125-1	WASHER, LAMINATED	43
	690124-9	WASHER, RAM	42
	690223-1	SPACER, DISC	41
	23241-6	BALL, STEEL	40
	690170-1	SPRING, COMPRESSION	39
			38
	354777-1	DISC, WIRE	37
	22480-5	WASHER, SPRING	36
	690212-1	POST, RAM	35
			34
			33
	25745-1	SPLIT RING #6	32
	21989-6	SCR, SOC.SHD. 188 DIA. X.125	31
	2-21006-3	SCR, SOC. SET 4-40 X.38	30
	2-21006-6	SCR, SOC SET 4-40 X.62	29
	21018-4	NUT, HEX MACH. 4-40	28
	22278-5	SPRING, COMPRESSION	27
	467328-1	LATCH, PUSHER	26
			25
			24
	21022-2	NUT, HEX SELF LKG (8-32)	23
	22354-6	STUD, DRAG	22
	5-354778-7	PIN, WIRE DISC .2780, A PAD	21
	6-354778-9	PIN, WIRE DISC .2840, B PAD	20
	8-354778-1	PIN, WIRE DISC .2900, C PAD	19
	9-354778-3	PIN, WIRE DISC .2960, D PAD	18
			17
	467349-1	HOLDER, WIRE, STUFFER	16
	22280-6	SPRING, DRAG	15
	46229-1	RELEASE, FEED	14
	461869-1	PLATE, BASE	13
	468805-1	BLOCK, DRAG PIYOT ASS'Y	12
	468806-1	HANDLE, DRAG RELEASE	11
	467327-1	DRAG	10
	461864-1	MOUNT, REEL	9
	462300-1	REEL, RETRIEVER	8
	461856-1	LOCATOR, FEED TRACK	7
	461859-1	PULLEY, PUSHER	6
	468810-1	BKLT, CABLE CONNECTOR	5
	468867-1	PUSHER, HOUSING	4
	468869-1	GUIDE, HOUSING	3
	468870-1	TRACK, HOUSING	2
	467348-1	STUFFER, WIRE, INSERT	1

REMARKS		NO	REV
APPL USED ON MACHINE PART NO		TO APPLY TERMINAL	
CUSTOMER NAME		DISTRIBUTION	
ADDRESS		ORIGINAL	
CITY		CUSTOMER COPY	
PURCHASE ORDER		FIELD ENG COPY	
ENG APP			

WIRE RANGE: #22-#12 INSULATION RANGE: 260 DIA MAX PRESS NO: 565435-5

REMARKS: FOR INSERTION DEPTH OF WIRE IN HOUSING SEE AMP SPECIFICATION 114-1019

SHEET 1 OF 2

AMP INCORPORATED Harrisburg, Pa

MINIATURE QUICK CHANGE APPLICATOR

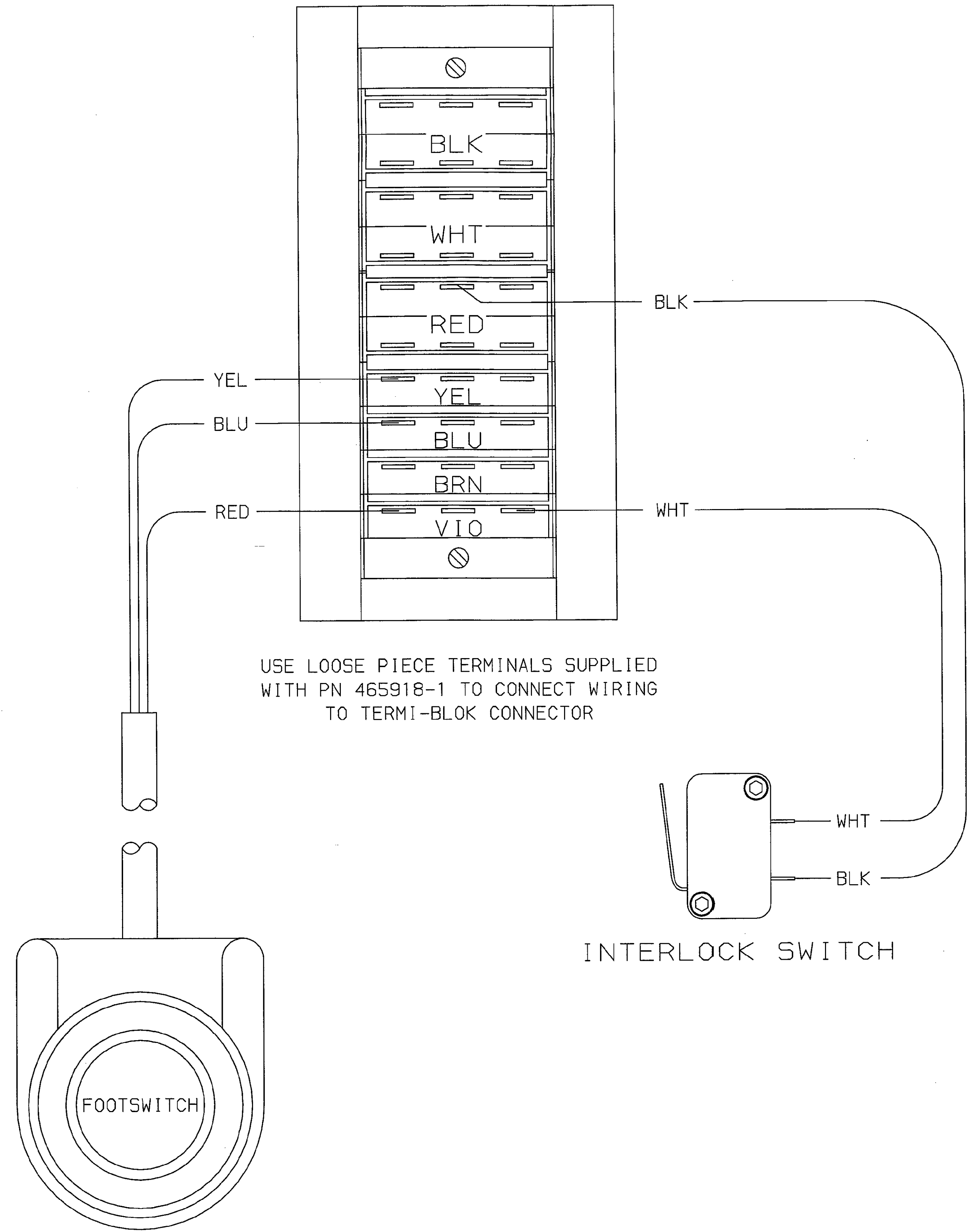
DIST 66

REVISION RECORD	APPROPRIATE	REVISION RECORD	APPROPRIATE
REVISION RECORD	APPROPRIATE	REVISION RECORD	APPROPRIATE
REVISION RECORD	APPROPRIATE	REVISION RECORD	APPROPRIATE

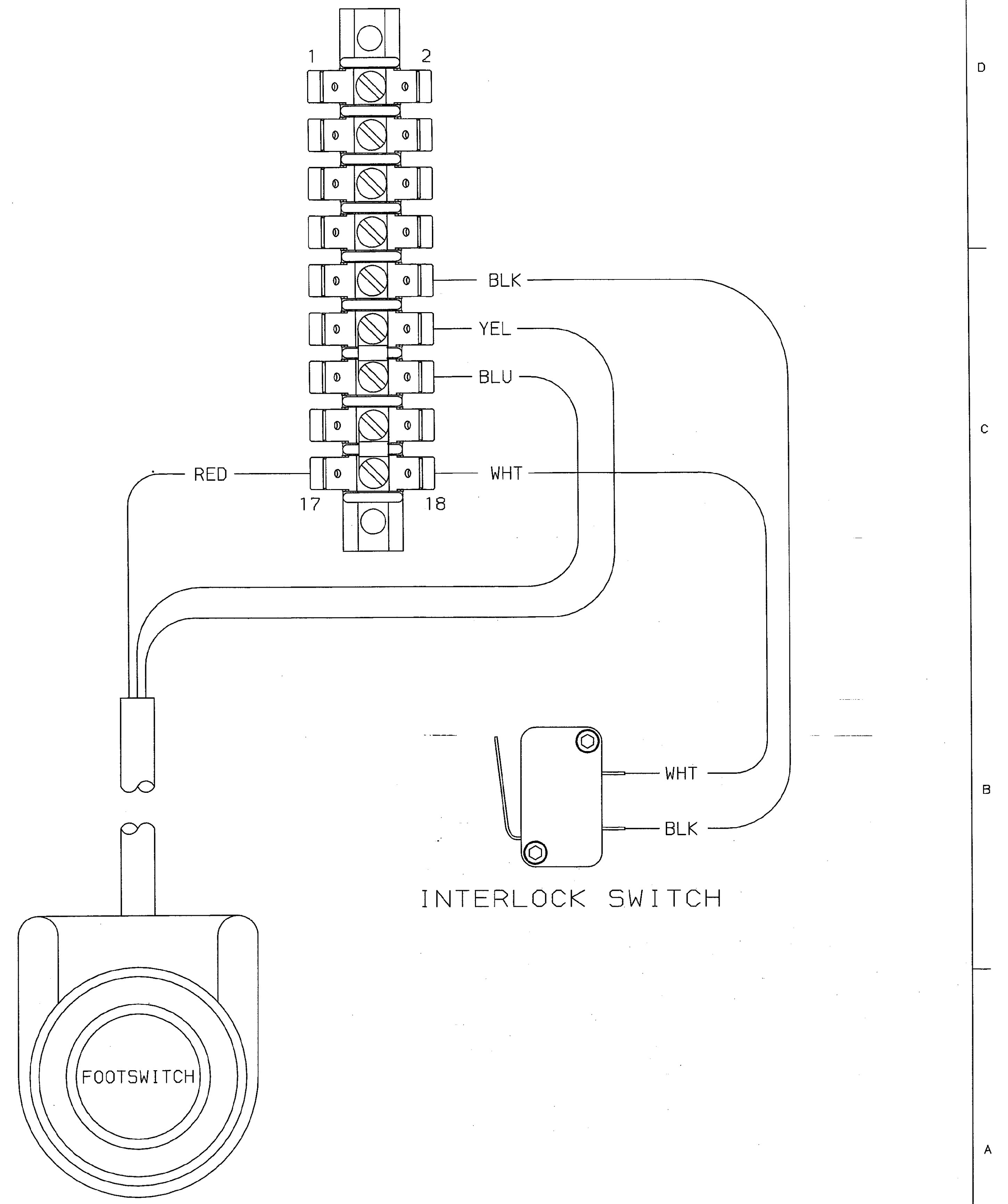
THIS INFORMATION IS CONFIDENTIAL AND PROPRIETARY TO AMP INCORPORATED. IT IS SUBJECT TO CHANGE WITHOUT NOTICE. IT MAY NOT BE DISCLOSED TO ANYONE OTHER THAN THE INDIVIDUALS AUTHORIZED TO RECEIVE IT FROM AMP INCORPORATED, HARRISBURG, PENNSYLVANIA, USA.

THIS INFORMATION IS CONFIDENTIAL AND PROPRIETARY TO AMP INCORPORATED. IT IS SUBJECT TO CHANGE WITHOUT NOTICE. IT MAY NOT BE DISCLOSED TO ANYONE OTHER THAN THE INDIVIDUALS AUTHORIZED TO RECEIVE IT FROM AMP INCORPORATED, HARRISBURG, PENNSYLVANIA, USA.

TERMI-BLOCK CONNECTOR



BARRIER STRIP



LOC
 A
 DIST
 66

P	LTR	REVISION RECORD	DATE	DN	APVD
✓		SEE SHEET 1			

FINISH	---	DN	M. YOUNGER	09FEB00	MATERIAL	---	HEAT TREAT	---
DIMENSIONS:	TO BRUNES UNLESS OTHERWISE SPECIFIED	CHK	---	---	AMP	AMP Incorporated	Harrisburg, PA 17105-3608	---
IN	0 PLC 1 PLC 2 PLC 3 PLC 4 PLC	APVD	M. HERSHEY	09FEB00	NAME			
		MTA CONN .100" CABLE TO HOUSING		SCALE	SIZE	DRAWING NO.	SHEET	REV
P LTR		REVISION RECORD		DATE	DN	APVD	1:1	A1
							466728-1	2 OF 2
								✓

NOT A CAD DRAWING