

THIS DRAWING IS UNPUBLISHED.

RELEASED FOR PUBLICATION

20

© COPYRIGHT 20

BY -

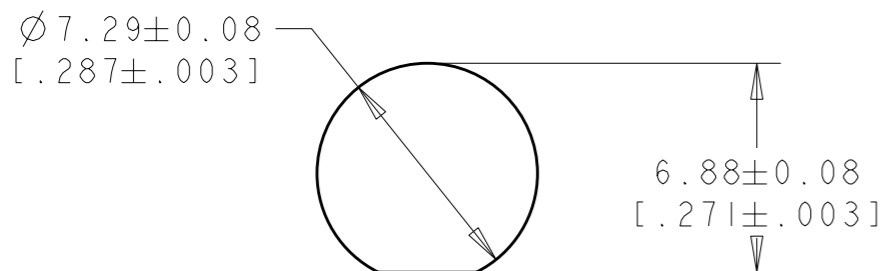
ALL RIGHTS RESERVED.

LOC
CE

DIST
00

REVISIONS

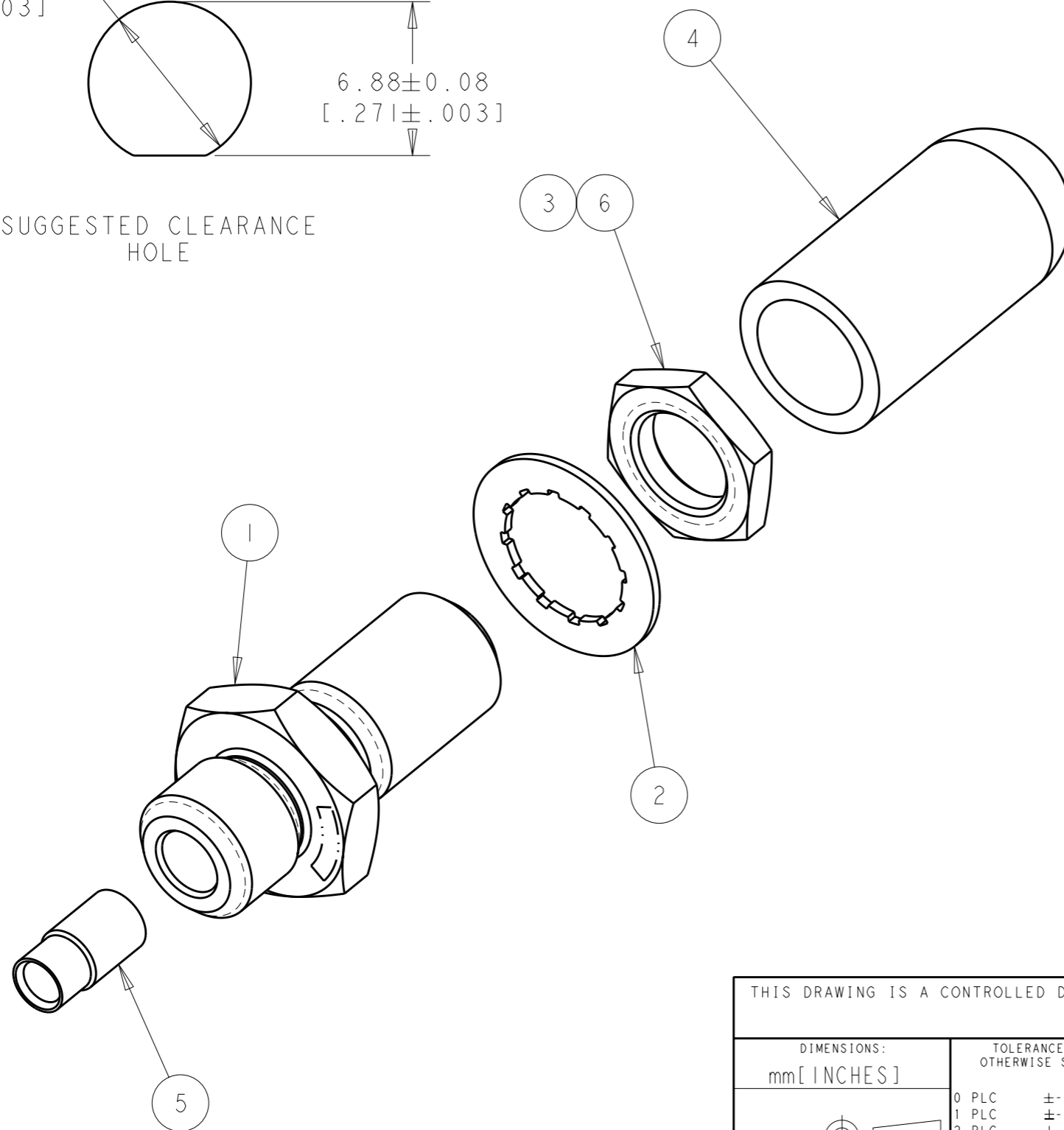
| P | LTR | DESCRIPTION | DATE | DWN | APVD |
|---|-----|---------------------------|-----------|-----|------|
| | H | REVISED PER ECR 11-022976 | 13NOV2011 | DLF | LS |
| | | | | | |
| | | | | | |



SUGGESTED CLEARANCE HOLE

1. PRODUCT CONNECTS 905 FSMA TO 905 FSMA OR 906 FSMA TO 906 FSMA. DO NOT CONNECT 905 TO 906.

2. FOR USE WITH 5.5[0.219] MAXIMUM PANEL THICKNESS.

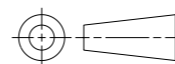


OBSOLETE

| QTY | UNIT | PART NUMBER | DESCRIPTION | ITEM NO. |
|-----|------|-------------|------------------------|----------|
| 1 | - | 981155-9 | JAM NUT | 6 |
| 1 | 1 | 501047-1 | ALIGNMENT SLEEVE, FULL | 5 |
| 2 | 2 | 1828874-6 | PROTECTIVE CAP | 4 |
| - | 1 | 981155-4 | JAM NUT | 3 |
| 1 | 1 | 1-22145-3 | LOCK WASHER | 2 |
| 1 | 1 | 501238-2 | COUPLING BUSHING, FSMA | 1 |
| -2 | -1 | PART NUMBER | DESCRIPTION | ITEM NO. |

THIS DRAWING IS A CONTROLLED DOCUMENT.

DIMENSIONS:
mm [INCHES]



TOLERANCES UNLESS OTHERWISE SPECIFIED:

| | |
|--------|----|
| 0 PLC | ±- |
| 1 PLC | ±- |
| 2 PLC | ±- |
| 3 PLC | ±- |
| 4 PLC | ±- |
| ANGLES | ±- |

MATERIAL

FINISH

DWN B. BRIGGS 27SEP2005
 CHK L. SAUERWEIN 27SEP2005
 APVD S. BUCHTER 27SEP2005

PRODUCT SPEC 108-45106
 APPLICATION SPEC -
 WEIGHT -

CUSTOMER DRAWING

STE TE Connectivity

COUPLING BUSHING KIT, UNSEALED, FSMA

SIZE CAGE CODE DRAWING NO RESTRICTED TO

A300779 C-501049

SCALE 4:1 SHEET OF REV H