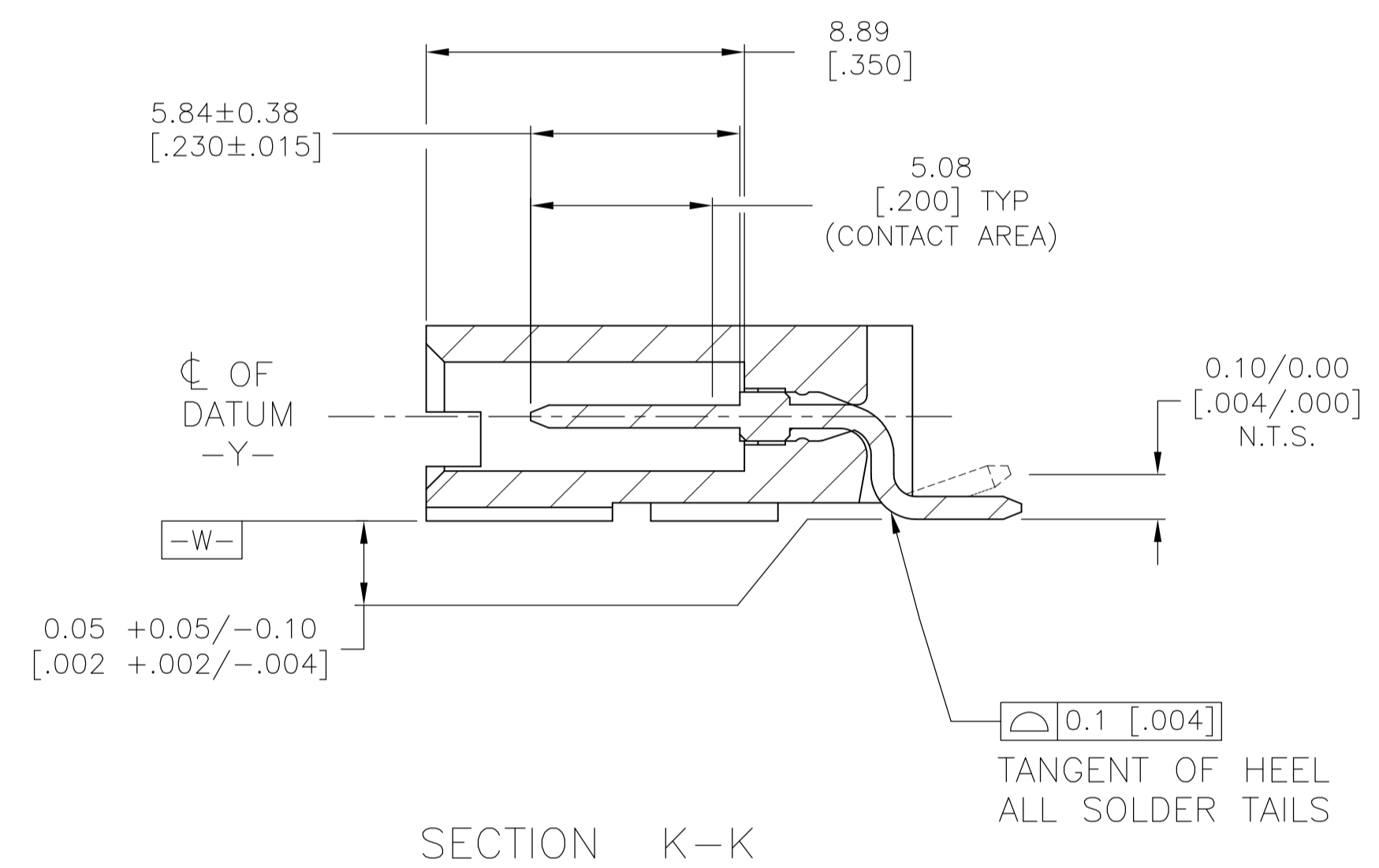
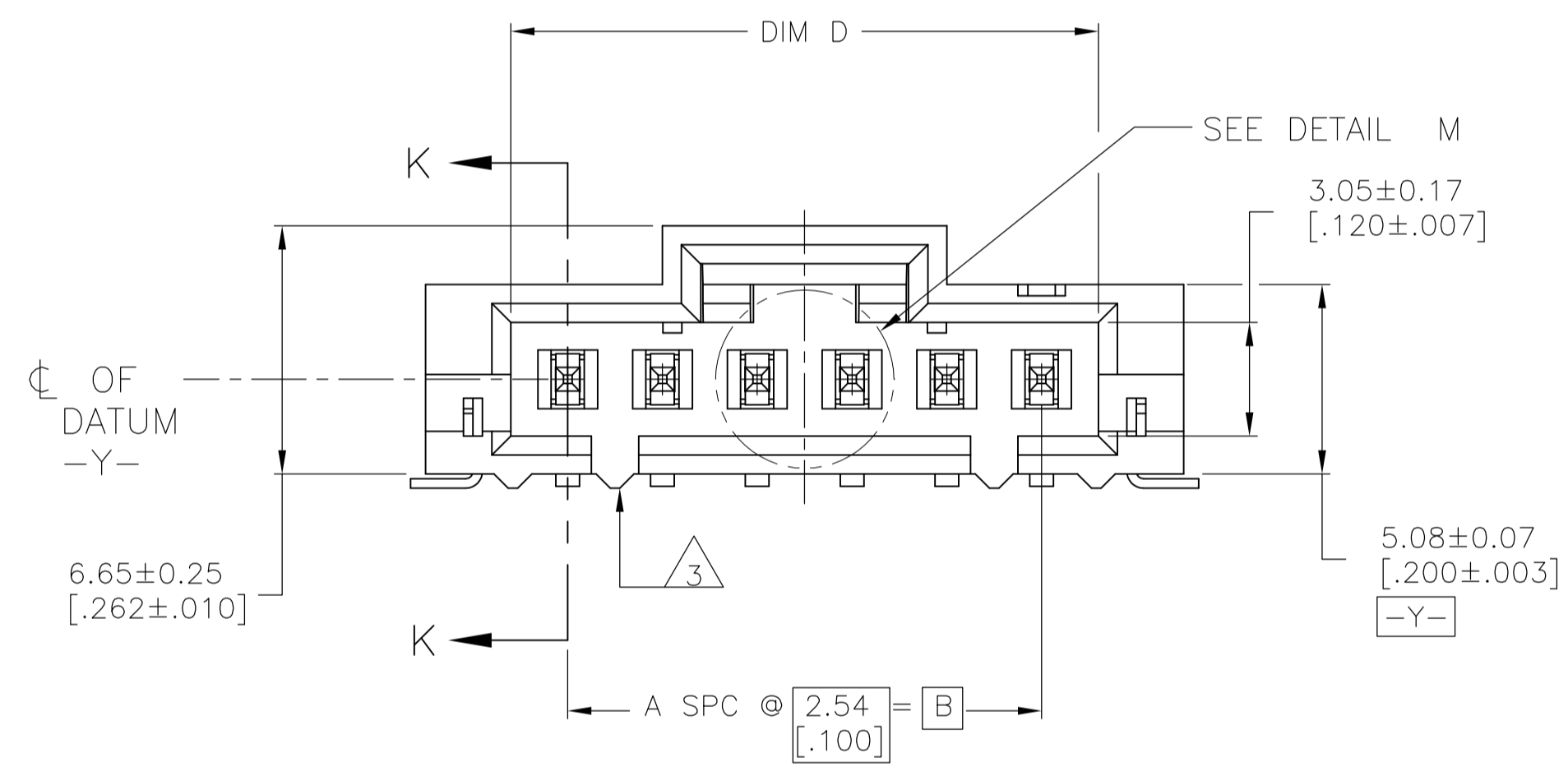
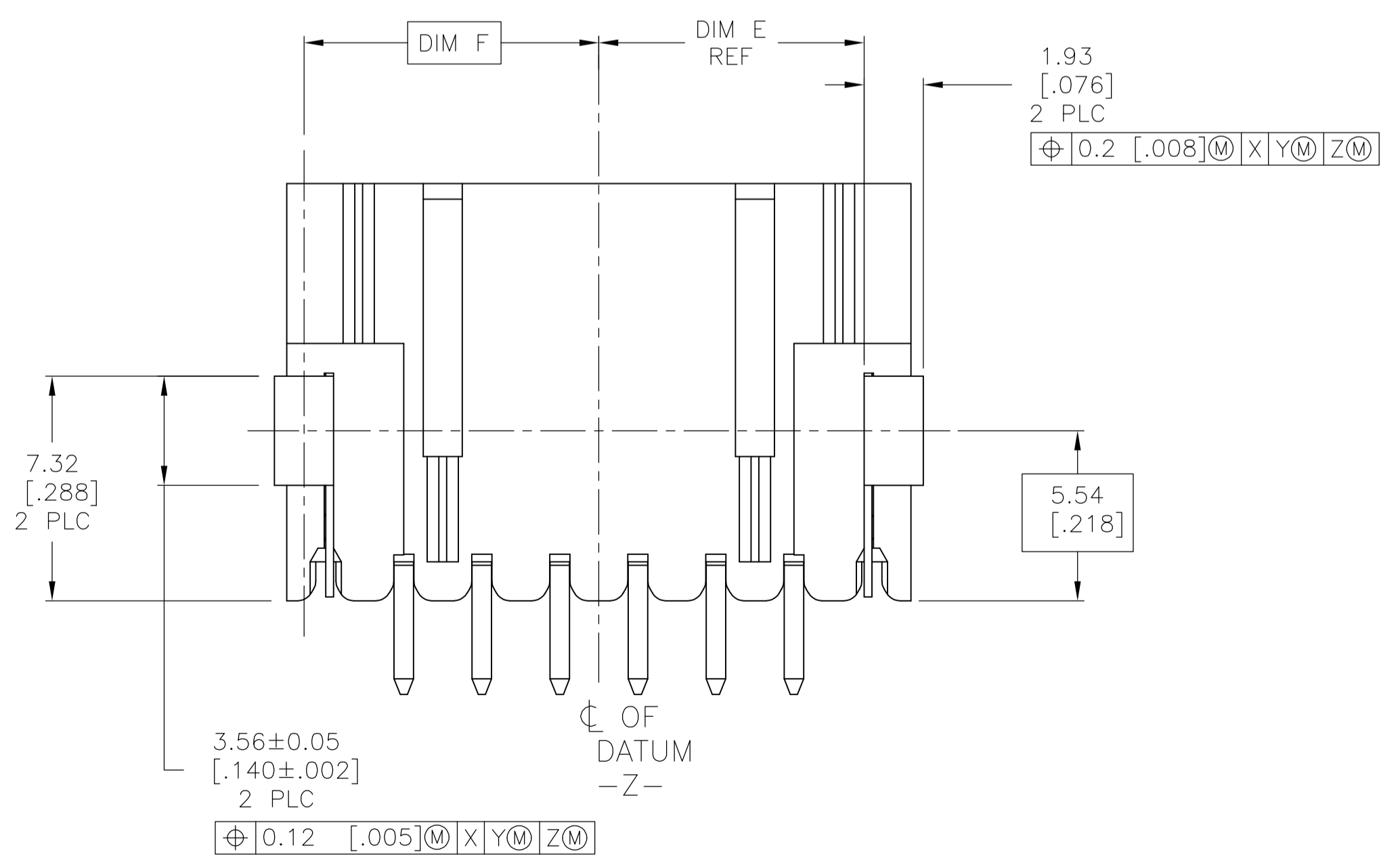


DETAIL M
SCALE 8:1

- 1 HOUSING: HIGH TEMPERATURE THERMOPLASTIC, COLOR-BLACK. POST: BRASS.
- 2 DATUMS AND BASIC DIMENSIONS ESTABLISHED BY THE CUSTOMER.
- 3 TWO POLARIZATION SLOTS ON ASSEMBLIES WITH FOUR OR MORE POSITIONS.
- 4 0.00254-0.00508 [.000100-.000200] MATTE TIN OVER
0.00127-0.00254 [.000050-.000100] NICKEL.
- 5 PARTS ARE PACKAGED IN TAPE AND REEL PER EIA-481 SPECIFICATIONS. SEE TABLE FOR TAPE WIDTHS.
- 6 PRELIMINARY PART- NOT RELEASED FOR PRODUCTION



SECTION K-K



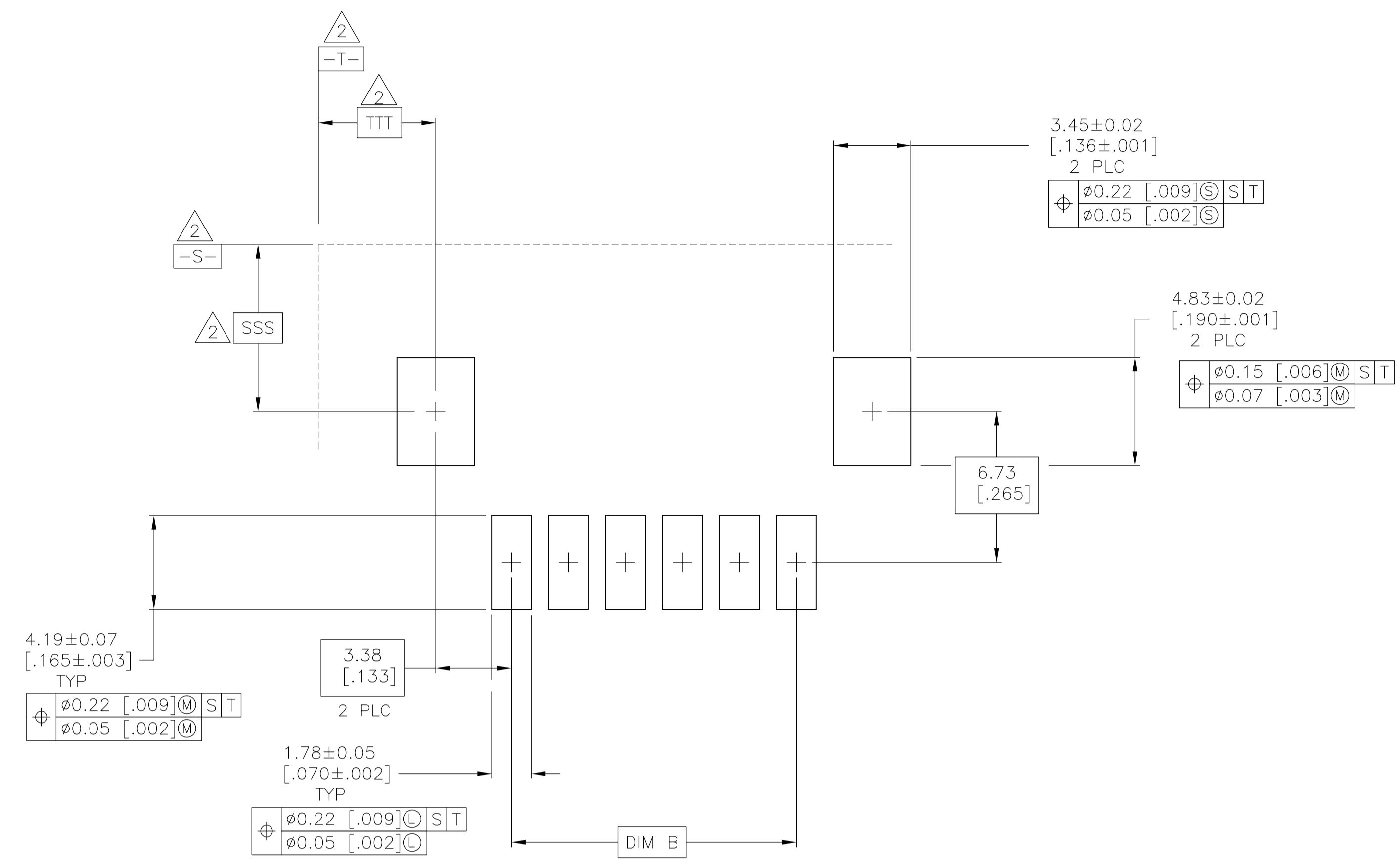
| | | | | | | | | |
|-----------------------|--------------|--------------|---------------|---------------|---------------|----|------------|-------------|
| 32 | 8.33 [.328] | 7.37 [.290] | 13.21 [.520] | 17.78 [.700] | 10.16 [.400] | 4 | 5 | 1977162-5 |
| 72 | 23.58 [.928] | 22.62 [.890] | 43.72 [1.720] | 48.30 [1.900] | 40.67 [1.600] | 16 | 17 | 1977162-4 |
| 72 | 21.04 [.828] | 20.08 [.790] | 38.64 [1.520] | 43.21 [1.700] | 13.59 [1.400] | 14 | 15 | 1977162-3 |
| 56 | 18.51 [.728] | 17.53 [.690] | 33.55 [1.320] | 38.13 [1.500] | 30.50 [1.200] | 12 | 13 | 1977162-2 |
| 44 | 9.60 [.378] | 8.64 [.340] | 15.76 [.620] | 16.26 [.800] | 12.70 [.500] | 5 | 6 | 1977162-1 |
| EIA 481 TAPE WIDTH mm | F | E | D | C | B | A | NO OF POSN | PART NUMBER |

THIS DRAWING IS A CONTROLLED DOCUMENT.

| | | | |
|-------------------------|--|------------------------|-------------------------------|
| DIMENSIONS: mm [INCHES] | TOLERANCES UNLESS OTHERWISE SPECIFIED: | APVD R BROWN 12JUL2007 | NAME |
| 0 PLC ± - | 1 PLC ± - | CHK R BROWN 12JUL2007 | 108-25034 |
| 2 PLC ± - | 3 PLC ± - | DRW R BROWN 12JUL2007 | APPLICATION SPEC |
| 4 PLC ± 0.13 [.005] | ANGLES ± - | SIZE | RESTRICTED TO |
| MATERIAL | FINISH | WEIGHT | A1 00779 1977162 |
| 1 | 4 | CUSTOMER DRAWING | SCALE 6:1 SHEET 1 OF 2 REV B2 |

STE TE Connectivity

HEADER ASSEMBLY, LATCHING, RIGHT ANGLE SURFACE MOUNT, MTE, AMPMODU



RECOMMENDED PC BOARD LAYOUT

| | | | | | |
|--|--|-------------------------|--|----------------------------------|--|
| THIS DRAWING IS A CONTROLLED DOCUMENT. | | DIN R BROWN 12JUL2007 | | TE Connectivity | |
| DIMENSIONS: mm [INCHES] | | CHK R BROWN 12JUL2007 | | | |
| TOLERANCES UNLESS OTHERWISE SPECIFIED: | | APP'D R BROWN 12JUL2007 | | NAME | |
| 0 PLC ± - | | PRODUCT SPEC | | HEADER ASSEMBLY, LATCHING, RIGHT | |
| 1 PLC ± - | | APPLICATION SPEC | | ANGLE SURFACE MOUNT, MTE, | |
| 2 PLC ± - | | SIZE | | AMPMODU | |
| 3 PLC ± 0.13 [.005] | | CAGE CODE | | DRAWING NO | |
| 4 PLC ± - | | WEIGHT | | RESTRICTED TO | |
| ANGLES ± - | | A1 00779 | | 1977162 | |
| FINISH | | CUSTOMER DRAWING | | SCALE 6:1 SHEET 2 OF 2 REV B2 | |