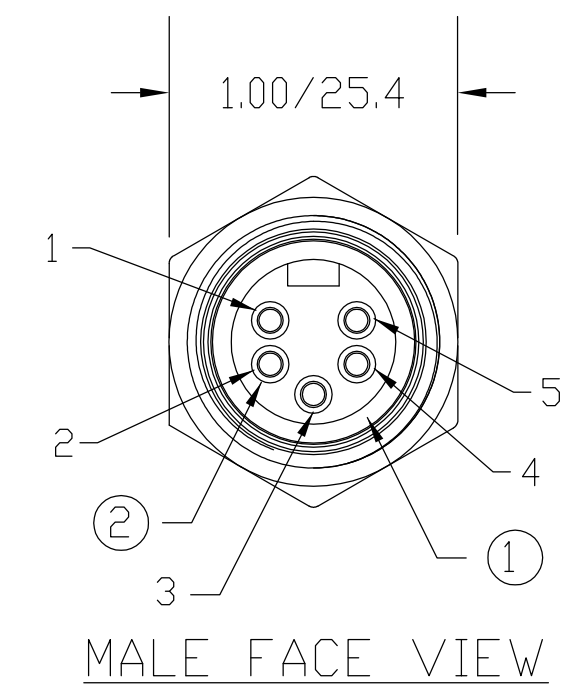
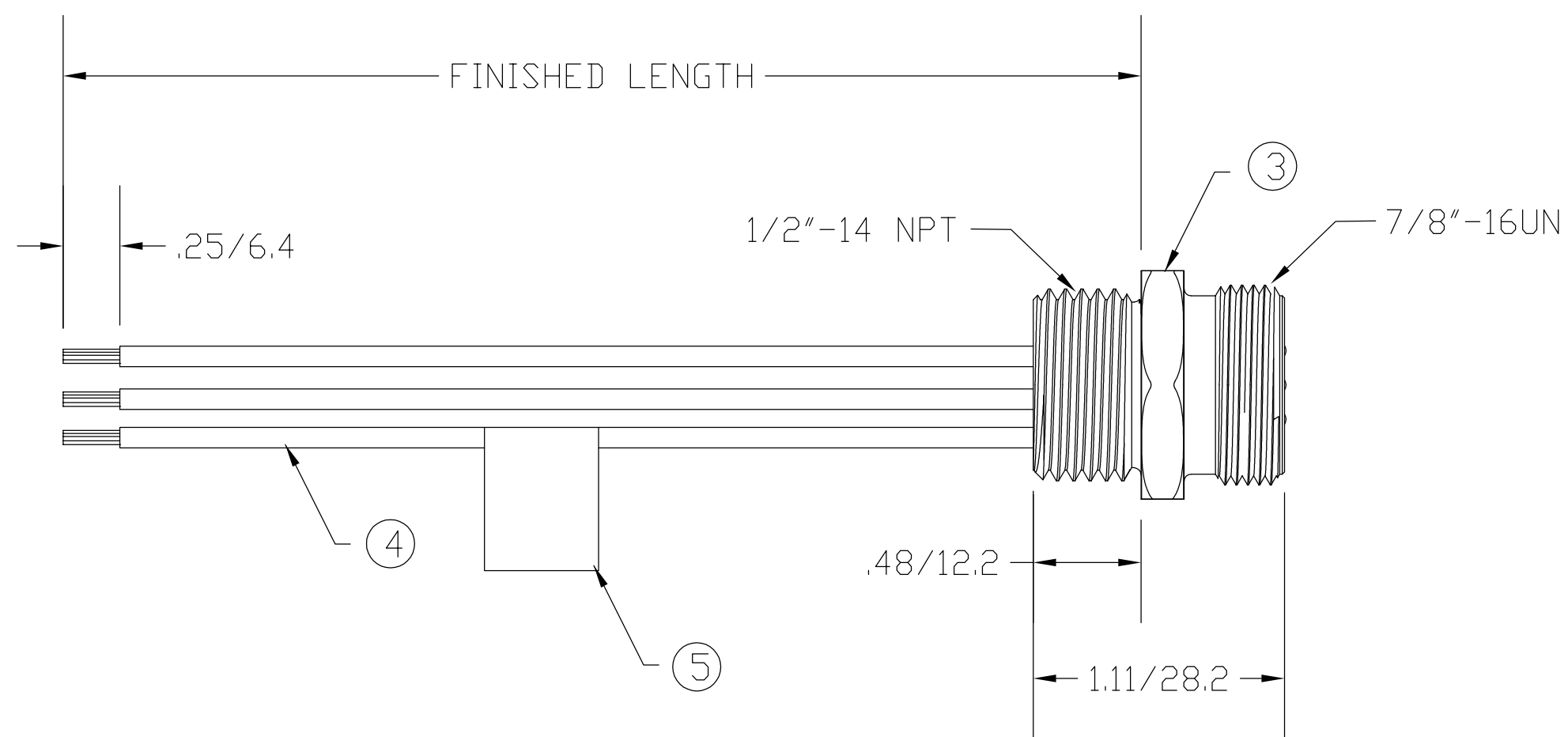
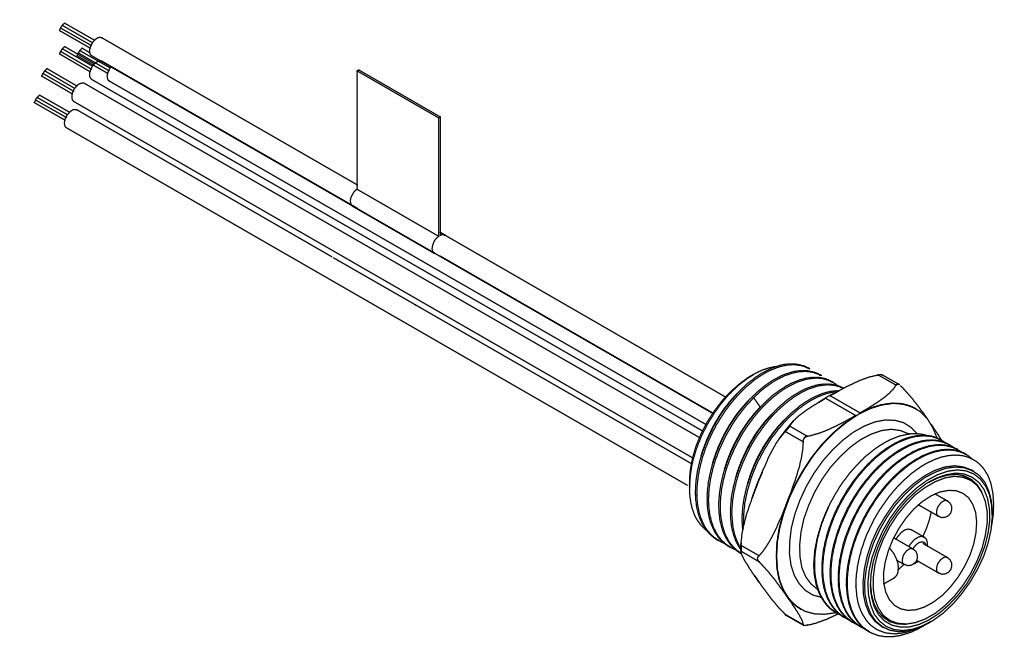
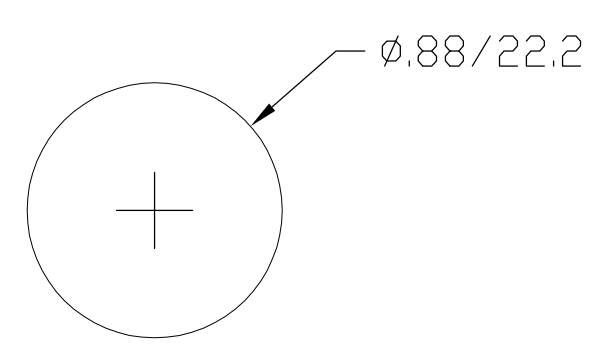


MATERIAL NUMBER	OLD PART NUMBER	FINISHED LENGTH
130013-0488	1R3006A20A060	6.00" +.75" -0 [1.2M +19.1 -0]
130013-0489	1R3006A20A120	12.00" +1.75" -0 [3.0M +44.5 -0]
130013-0491	1R3006A20F030	3.00' +2.19" -0 [0.9M +55.6 -0]
130013-0492	1R3006A20F060	6.00' +3.50" -0 [1.8M +88.9 -0]



1	RED-WHITE
2	RED
3	GREEN
4	RED-YELLOW
5	RED-BLACK

WIRING DIAGRAM



KNOCKOUT HOLE

VOLTAGE RATING	300 VAC/VDC
AMPERAGE RATING	5.6 AMPS
PROTECTION	IP67
OPERATING TEMPERATURE	-20°C TO 105°C
UL CERTIFICATIONS	ULRECOGNIZED, FILE NO. E152210
CSA CERTIFICATIONS	CSA CERTIFIED, FILE NO. LR6837

ITEM	COMPONENT	MATERIAL	FINISH
1	INSERT	PVC	YELLOW
2	CONTACT PIN	COPPER ALLOY	GOLD OVER NICKEL
3	RECEPTACLE SHELL	ZINC DIE CAST	BLACK E-COATED
4	CONDUCTOR - 18 AWG, 16 x #30 COPPER STRANDING, 300V	PVC	SEE WIRING DIAGRAM
5	FLAG LABEL	PLASTIC FILM	BLACK/YELLOW

RLSO DRAWING EC NO: WNA2009-0645 DRWN: BWOODMAN 4/1/09 CH'KD: JM APPR: JFMURPHY 2009/04/08 A	DESCRIPTION REV	QUALITY SYMBOL	GENERAL TOLERANCES (UNLESS SPECIFIED) <table border="1"> <tr> <td></td> <td>mm</td> <td>INCH</td> </tr> <tr> <td>4 PLACES</td> <td>±----</td> <td>±----</td> </tr> <tr> <td>3 PLACES</td> <td>±----</td> <td>±----</td> </tr> <tr> <td>2 PLACES</td> <td>±----</td> <td>±.01</td> </tr> <tr> <td>1 PLACE</td> <td>±0.3</td> <td>±----</td> </tr> </table>		mm	INCH	4 PLACES	±----	±----	3 PLACES	±----	±----	2 PLACES	±----	±.01	1 PLACE	±0.3	±----	DIMENSION STYLE	SCALE	DESIGN UNITS	THIRD ANGLE PROJECTION MINI-CHANGE RECEPTACLE 5 POLE MALE 1/2 NPT AUTO COLOR CODE MOLEX INCORPORATED MATERIAL NO. SEE CHART DOCUMENT NO. SD-130013-004 SHEET NO. 1 OF 1
				mm	INCH																	
		4 PLACES		±----	±----																	
		3 PLACES		±----	±----																	
2 PLACES	±----	±.01																				
1 PLACE	±0.3	±----																				
$\nabla=0$ $\sphericalangle=0$	DRAWN BY BW DATE 2009/04/01 CHECKED BY LH DATE 2009/04/01 APPROVED BY _____ DATE _____	TITLE MINI-CHANGE RECEPTACLE 5 POLE MALE 1/2 NPT AUTO COLOR CODE																				
ANGULAR ±----° DRAFT WHERE APPLICABLE MUST REMAIN WITHIN DIMENSIONS	MOLEX THIS DRAWING CONTAINS INFORMATION THAT IS PROPRIETARY TO MOLEX INCORPORATED AND SHOULD NOT BE USED WITHOUT WRITTEN PERMISSION																					
SIZE C																						