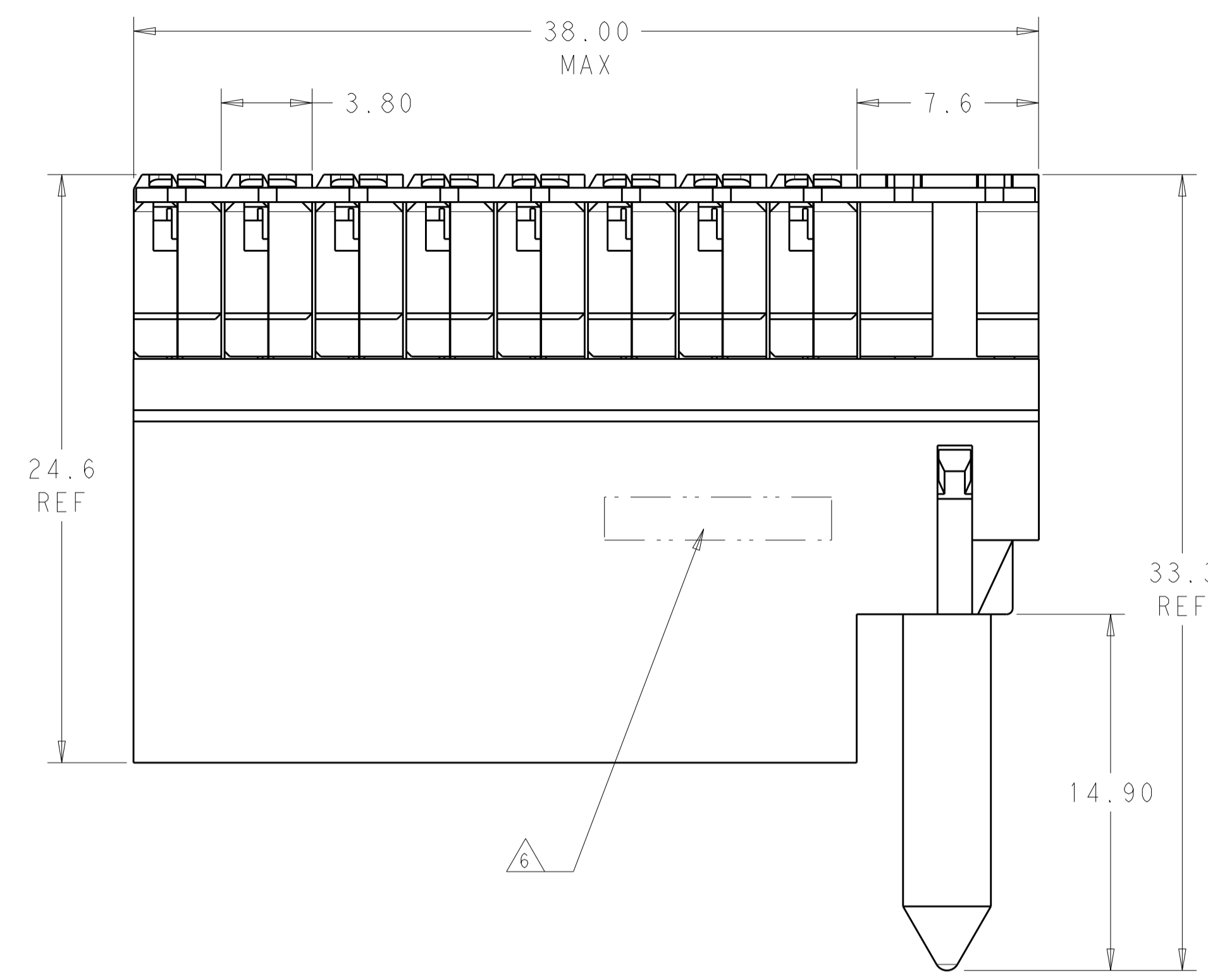
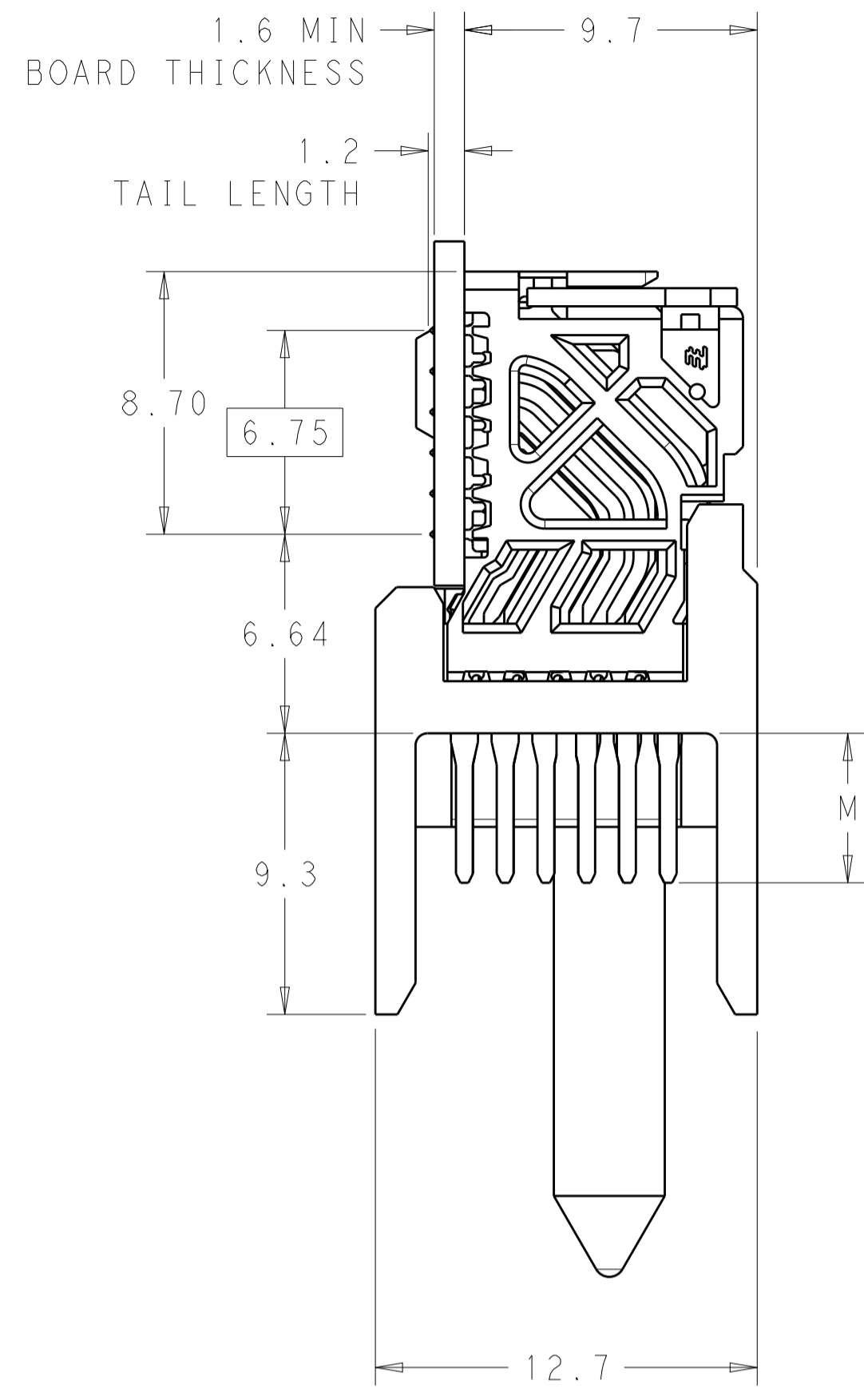
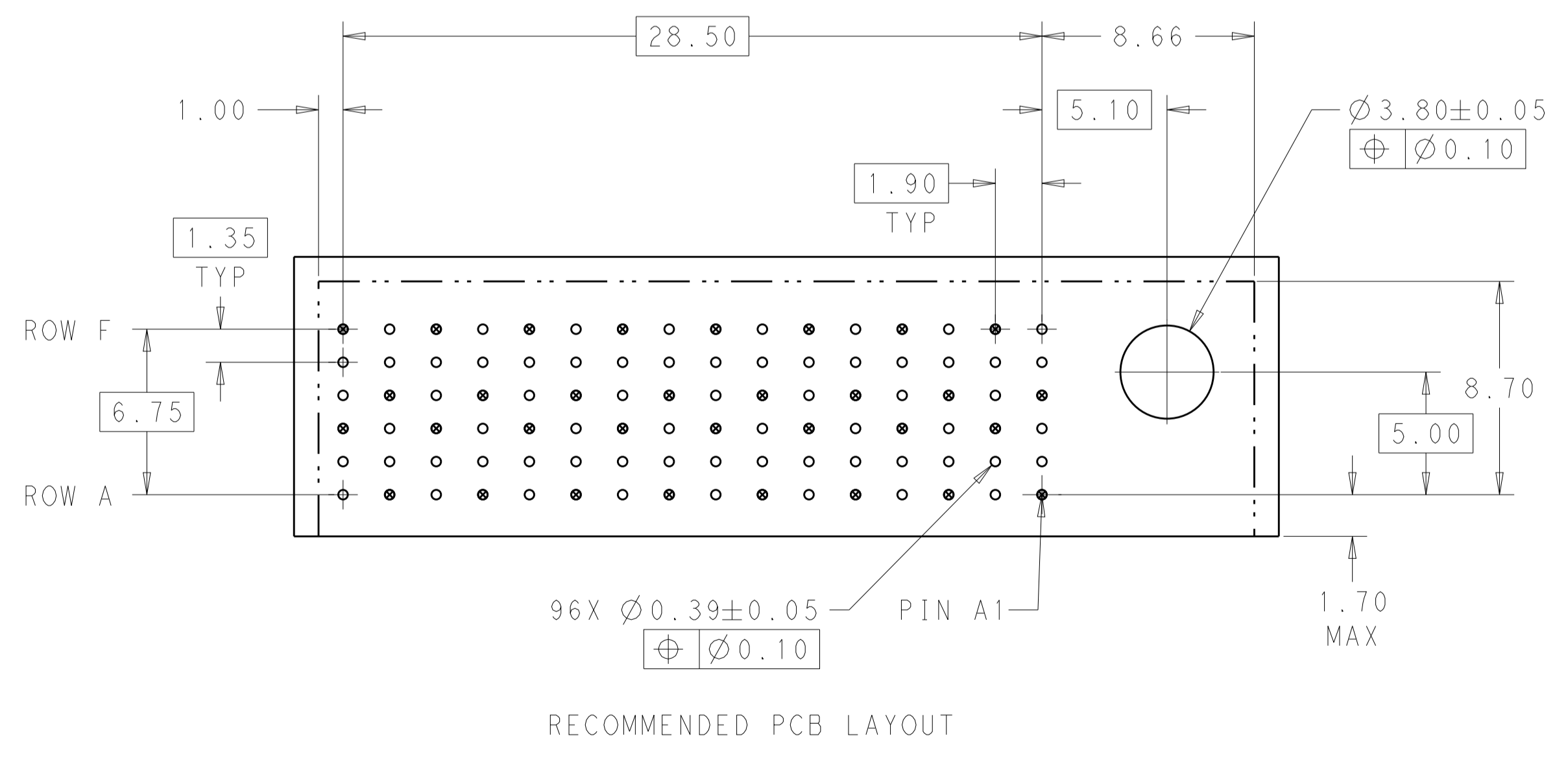
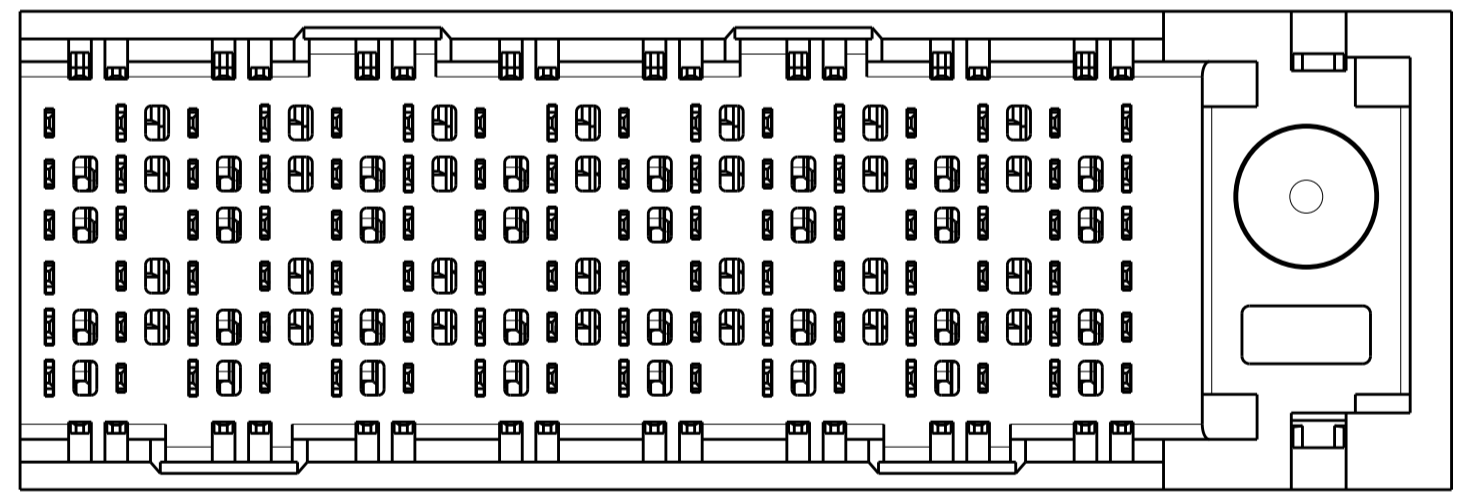
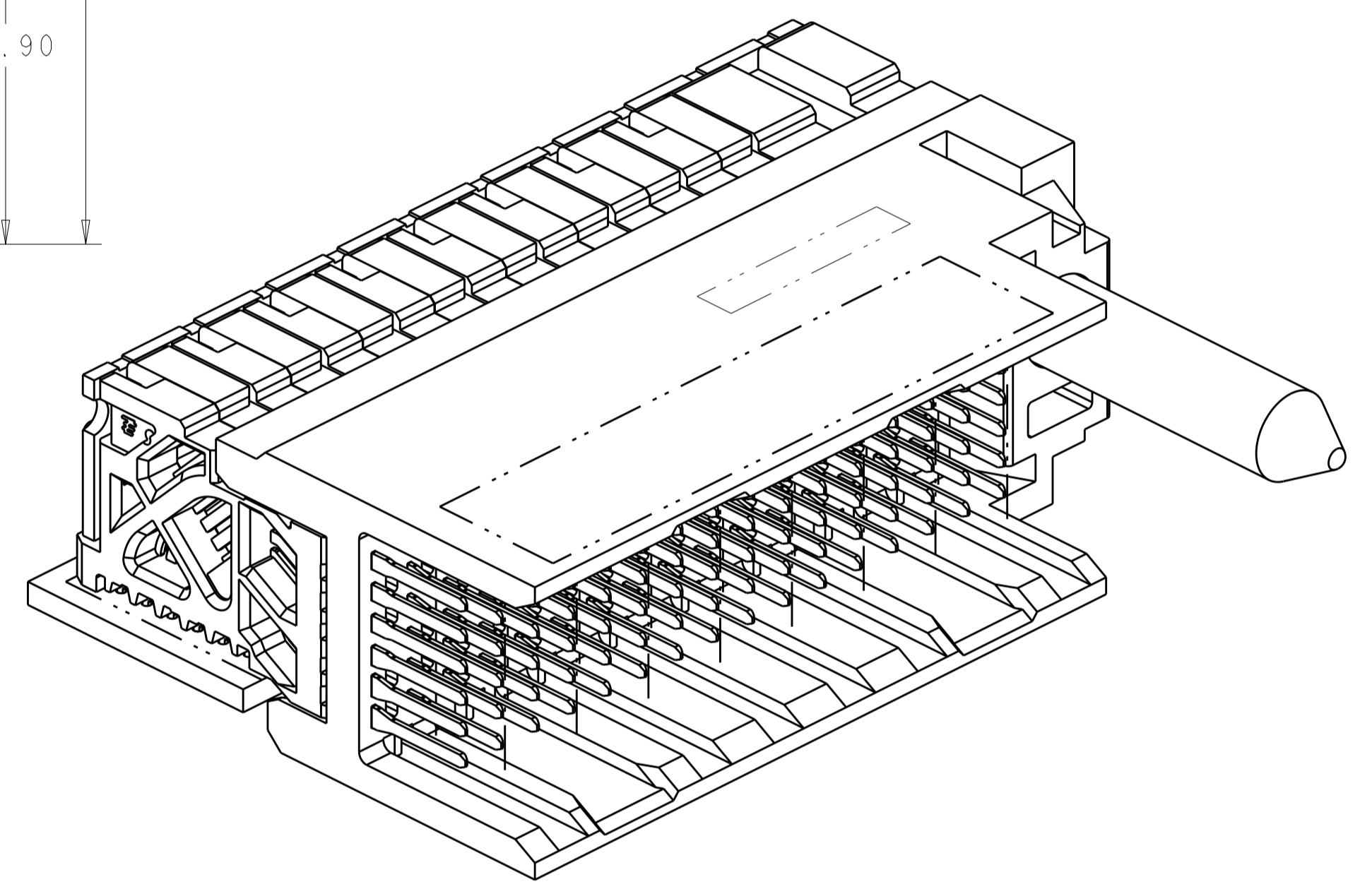


LOC		DIST		REVISIONS			
AD	00	P	LTN	DESCRIPTION	DATE	DWN	APVD
		C		REVISED PER ECO-14-005775	22APR2014	AP	DD

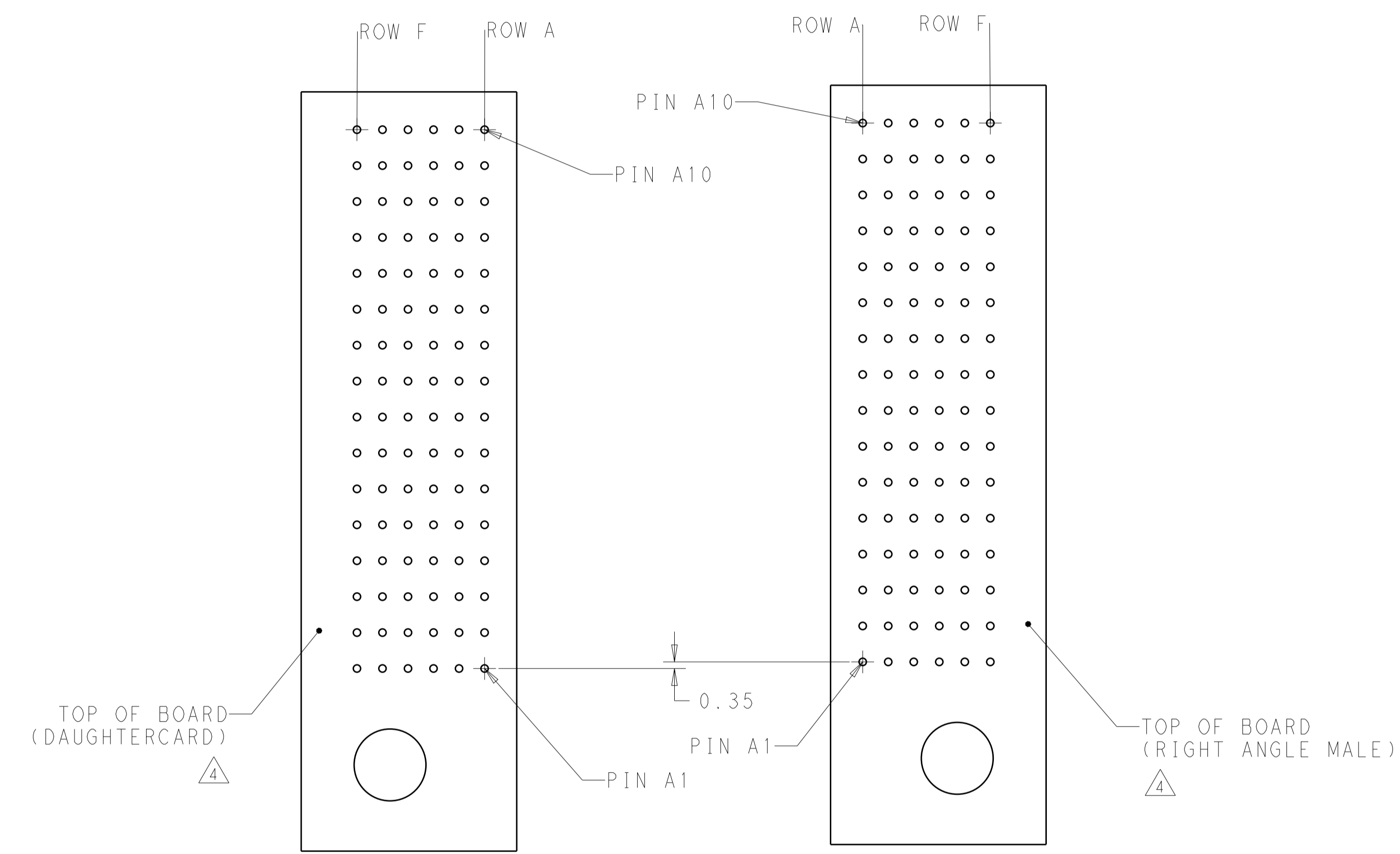


- 1 MATERIAL:  
HOUSING: LCP, GLASS FILLED, UL94V-0.  
TERMINALS: HIGH PERFORMANCE COPPER ALLOY.
- 2 FINISH:  
30µm SELECTIVE GOLD IN CONTACT AREA. SELECTIVE TIN ON PCB TAILS, NICKEL OVERALL.
- 3 FINISH:  
30µm SELECTIVE GOLD IN CONTACT AREA. SELECTIVE TIN-LEAD ON PCB TAILS, NICKEL OVERALL.
- 4 RIGHT GUIDED RIGHT ANGLE MALE MATES TO LEFT GUIDED RIGHT ANGLE RECEPTACLE.
- 5. CONNECTOR SUPPLIED WITH MOUNTING SCREW.
- 6 TE LOGO LOCATED IN APPROXIMATE LOCATION.

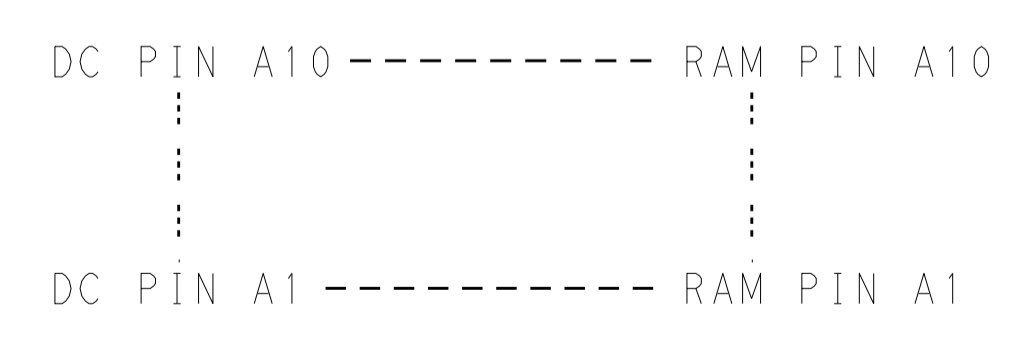


THIS DRAWING IS A CONTROLLED DOCUMENT.		DWN	07APR2011	<b>STE</b> TE Connectivity
DIMENSIONS:		CHK	07APR2011	
mm	TOLERANCES UNLESS OTHERWISE SPECIFIED:	APVD	07APR2011	NAME: IMPACT, STD. RAM, 2 PAIR, 16 COLUMN, RIGHT GUIDED OPEN END WALL SIGNAL MODULE, 0.39 EYELET
Ø	0 PLC ±	PRODUCT SPEC		
Ø	1 PLC ±0.25	APPLICATION SPEC		SIZE CAGE CODE DRAWING NO
Ø	2 PLC ±0.13			A100779C=2143315
Ø	3 PLC ±			RESTRICTED TO
Ø	4 PLC ±			
Ø	ANGLES ±	WEIGHT		
Ø	FINISH SEE TABLE	CUSTOMER DRAWING		SCALE 5:1 SHEET 1 OF 2 REV C

LOC		DIST		REVISIONS				
P	LTN	DATE	OWN	APVD	DESCRIPTION	DATE	OWN	APVD
-	-	-	-	-	SEE SHEET 1	-	-	-



COPLANAR MATED SIGNAL PATHS



△3	5.50	2143315-6
△3	4.90	2143315-5
△2	5.50	2143315-3
△2	4.90	2143315-2
FINISH	DIM M	PART NUMBER

REFER TO WWW.TE.COM FOR PRODUCT AVAILABILITY

THIS DRAWING IS A CONTROLLED DOCUMENT.		DWN	07APR2011	<b>STE</b> TE Connectivity															
DIMENSIONS:		CHK	J. EARY 07APR2011																
TOLERANCES UNLESS OTHERWISE SPECIFIED:		APVD	J. EARY 07APR2011																
mm		NAME	IMPACT, STD. RAM, 2 PAIR, 16 COLUMN, RIGHT GUIDED OPEN END WALL SIGNAL MODULE, 0.39 EYELET																
<table border="1"> <tr> <td>0 PLC</td> <td>±</td> </tr> <tr> <td>1 PLC</td> <td>±0.25</td> </tr> <tr> <td>2 PLC</td> <td>±0.13</td> </tr> <tr> <td>3 PLC</td> <td>±</td> </tr> <tr> <td>4 PLC</td> <td>±</td> </tr> <tr> <td>ANGLES</td> <td>±</td> </tr> </table>		0 PLC	±	1 PLC	±0.25	2 PLC	±0.13	3 PLC	±	4 PLC	±	ANGLES	±	PRODUCT SPEC		SIZE	CAGE CODE	DRAWING NO	RESTRICTED TO
0 PLC	±																		
1 PLC	±0.25																		
2 PLC	±0.13																		
3 PLC	±																		
4 PLC	±																		
ANGLES	±																		
MATERIAL		APPLICATION SPEC		WEIGHT		A100779C=2143315													
FINISH		SEE TABLE		CUSTOMER DRAWING		SCALE	5:1 SHEET 2 OF 2 REV C												