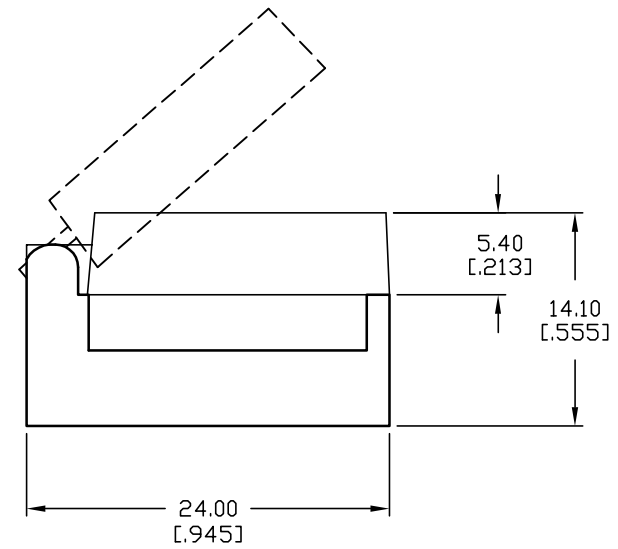
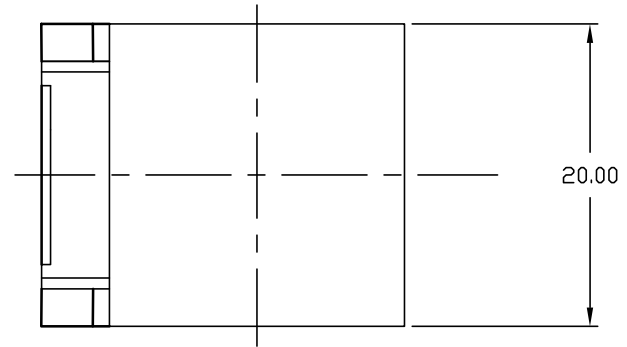


REAR VIEW



NOTES:

1. ALL DIMENSIONS IN MM
2. GENERAL TOLERANCE:

E-SWITCH®

TITLE		50-011-11 (PROTECTIVE CAP) FOR SQUARE HEAD 180°		
SCALE	DATE	DR	DWG	REV
2:1	12/9/03	AR	F051103	A

REV.	ECN No.	DESCRIPTION	DATE	CHKD
A	13644	RELEASED FOR PRODUCTION	12/9/03	AR

THE INFORMATION CONTAINED IN THIS DOCUMENT IS PROPRIETARY TO E-SWITCH AND IS NOT TO BE COPIED OR TRANSFERRED