

THIS DRAWING IS UNPUBLISHED.

RELEASED FOR PUBLICATION

-. -. .

© COPYRIGHT - By -

ALL RIGHTS RESERVED.

LOC
FT

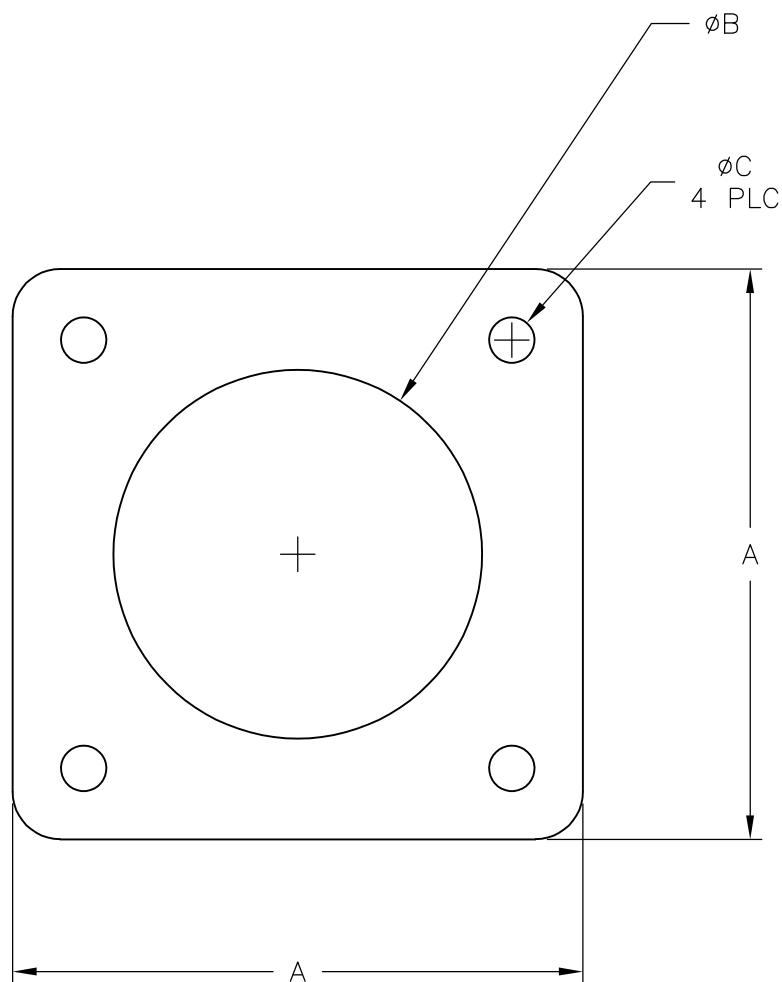
DIST
0

REVISIONS

P	LTR	DESCRIPTION	DATE	DWN	APVD
	C1	REVISED PER ECO-11-004820	11MAR11	RK	HMR

NOTES:

- ① MATERIAL: NEOPRENE, BLACK.
- ② PRELIMINARY PART NUMER.



②	.125	1.030	1.185	14	81665-8
②	.120	1.110	1.530	22	81665-7
②	.142	1.492	1.950	28	81665-6
	.145	1.488	1.875	23	81665-5
	.120	.862	1.375	13	81665-4
	.120	.737	1.188	11	81665-3
	.145	1.100	1.500	17	81665-2
	.120	.970	1.500	-	81665-1
	C	B	A	CPC SHELL SIZE	PART NO.

THIS DRAWING IS A CONTROLLED DOCUMENT.		DWN S SCHLEGEL 16JUL03	STE TE Connectivity														
DIMENSIONS: INCHES		CHK S HEADER 7/16/03															
TOLERANCES UNLESS OTHERWISE SPECIFIED:		APVD S HEADER 7/16/03	NAME GASKET, FLANGE, CPC														
<table border="0"> <tr><td>0 PLC</td><td>± -</td></tr> <tr><td>1 PLC</td><td>± -</td></tr> <tr><td>2 PLC</td><td>± -</td></tr> <tr><td>3 PLC</td><td>± .015</td></tr> <tr><td>4 PLC</td><td>± -</td></tr> <tr><td>ANGLES</td><td>± -</td></tr> </table>		0 PLC	± -	1 PLC	± -	2 PLC	± -	3 PLC	± .015	4 PLC	± -	ANGLES	± -	PRODUCT SPEC -	-		
0 PLC	± -																
1 PLC	± -																
2 PLC	± -																
3 PLC	± .015																
4 PLC	± -																
ANGLES	± -																
MATERIAL - ①		APPLICATION SPEC -	-														
FINISH -		WEIGHT -	SIZE A3	CAGE CODE 00779	DRAWING NO C-81665												
CUSTOMER DRAWING			RESTRICTED TO -	SCALE NTS	SHEET 1 OF 1												
			REV C1														