



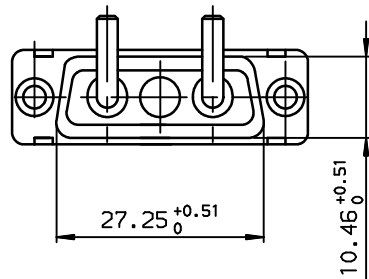
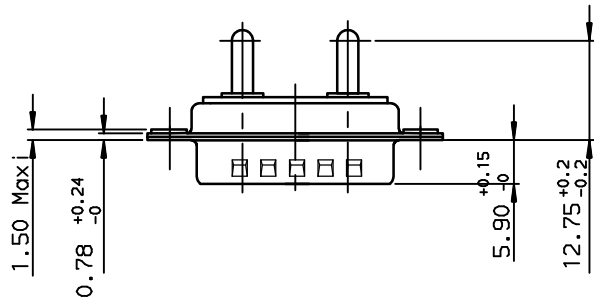
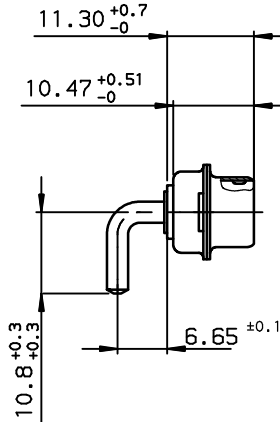
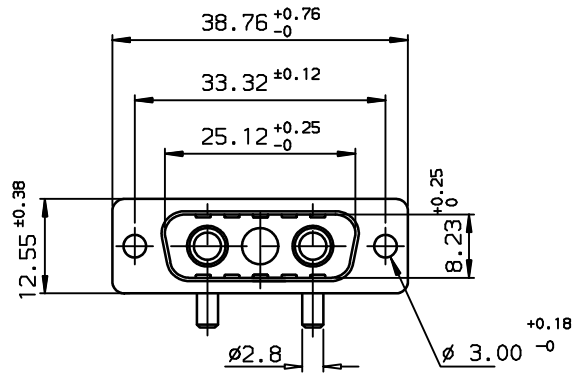
Copyright FCI.

A

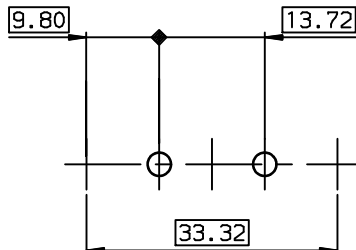
B

C

D



LAYOUT DIMENSIONS (after plating)  
CONNECTOR SIDE VIEW



DA3W3P500A4CLF

PART NUMBER

GENERAL CHARACTERISTICS AND ROHS INFORMATIONS  
SEE DRAWING NUMBER: C01-8639-0001

European Views

rev	ecn no	dr	date
A	LS05-0090	MPE	2005/10/24
B	LS06-0095	LGO	2006/07/20
-	-	-	-
-	-	-	-
-	-	-	-
-	-	-	-

www.fciconnect.com		surface ISO 1302 ✓	tolerance std ISO 406 ISO 1101	projection mm
		TOLERANCES UNLESS OTHERWISE SPECIFIED		
Dr	JOUBERT	2005/10/24	ANGULAR	LINEAR
Eng	PESSON	2005/10/24	0.x	±0.1
Chr	LEGARE	2005/10/24	0.xx	±0.1
Appr	LEGARE	2005/10/24	0.xxx	±0.1
Product family		D-SUB		size A3
Spec ref		-		Scale 1.5
title PIN CONNECTOR FOR POWERS CONTACTS.SPECIF4C.		catag no -		ECN LS06-0095
Rev. B		C01-8639-2222		sheet 1 of 1

REV F - 2006-04-17