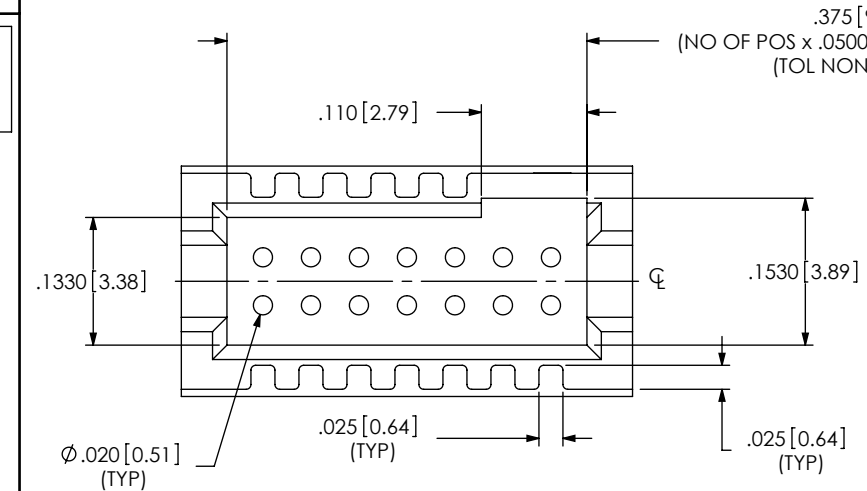


DO NOT SCALE FROM THIS PRINT



TSDf-XX-X-S-X

No OF POSITIONS
-02 THRU -50
(PER ROW)

LOCK OPTION
LEAVE BLANK: NO LOCK
-L: FRICTION LOCK
(ONLY AVAILABLE ON
DOUBLE ROW & POS
-05, -07 & -10 THRU -50)
(SEE FIG. 3, SHEET 3)
(SEE NOTE 3)

ROW SPECIFICATION
-D: DOUBLE ROW
-S: SINGLE ROW

SHROUD SPECIFICATION
-S: SHROUD

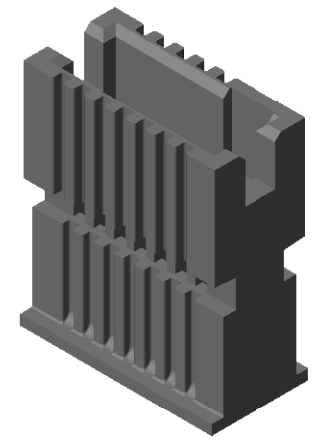
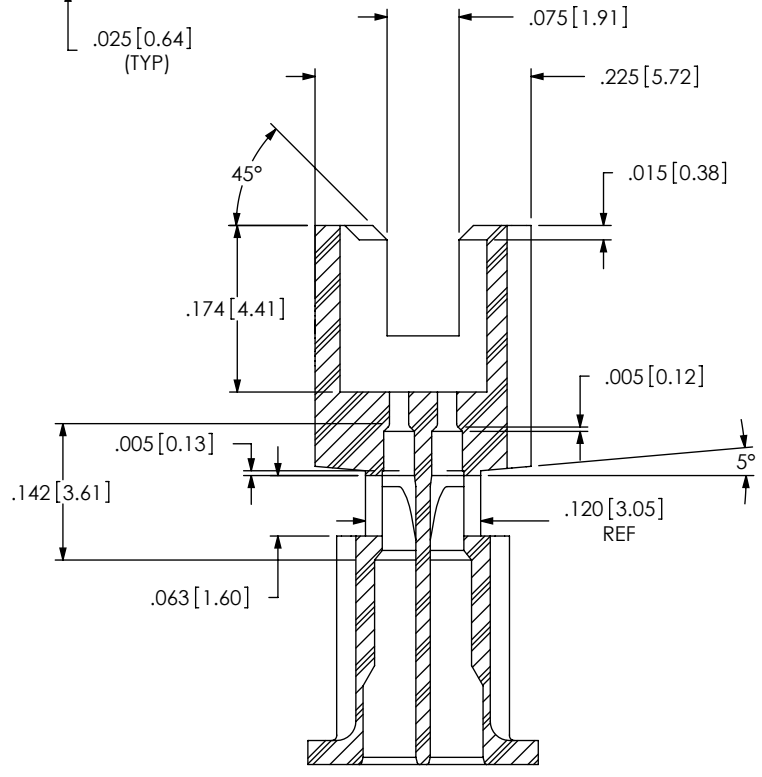
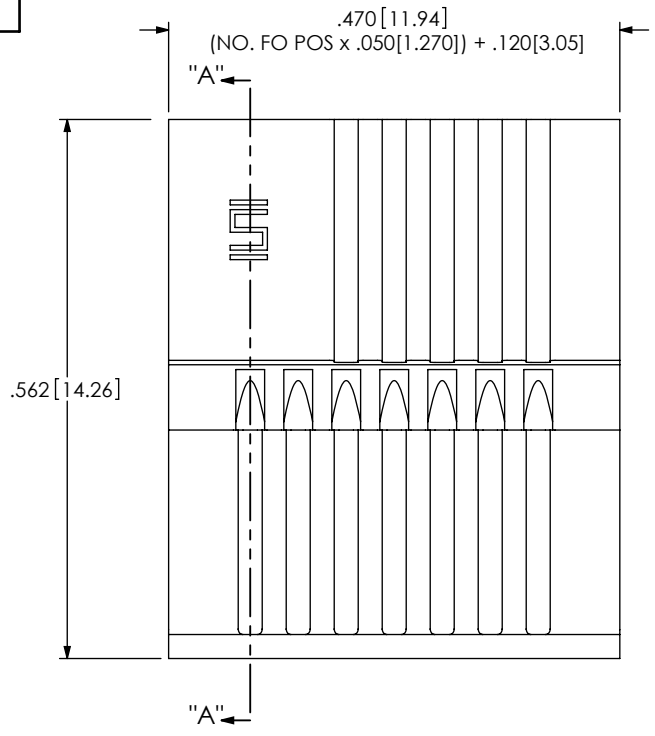


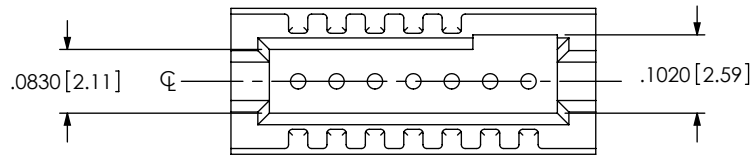
FIG.1
TFSD-07-D-S SHOWN

SECTION "A"-"A"
SCALE 5 : 1

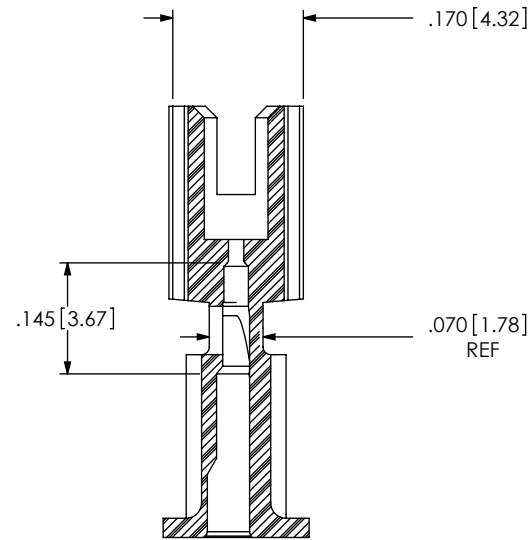
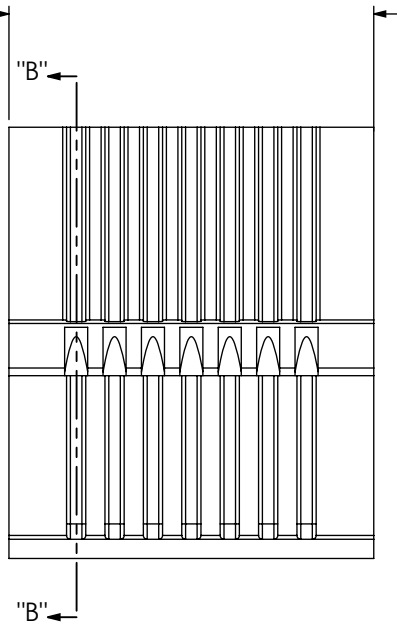
NOTES:

1. Ⓞ REPRESENTS A CRITICAL DIMENSION.
2. PARTS TO BE BULK PACKAGED IN BAGS.
3. POSITIONS -05, -07 & -10 THRU -24 WILL HAVE ONLY ONE CLIP AT DIMENSION SHOWN. POSITIONS -25 THRU -30 WILL HAVE TWO CLIPS AT DIMENSION SHOWN.

<p>UNLESS OTHERWISE SPECIFIED, DIMENSIONS ARE IN INCHES. TOLERANCES ARE:</p> <p>DECIMALS ANGLES</p> <p>.XX: ±.01 [.3] 2°</p> <p>.XXX: ±.003 [.08]</p> <p>.XXXX: ±.0015 [.038]</p>	<p>PROPRIETARY NOTE</p> <p>THIS DOCUMENT CONTAINS INFORMATION CONFIDENTIAL AND PROPRIETARY TO SAMTEC, INC. AND SHALL NOT BE REPRODUCED OR TRANSFERRED TO OTHER DOCUMENTS OR DISCLOSED TO OTHERS OR USED FOR ANY PURPOSE OTHER THAN THAT WHICH IT WAS OBTAINED WITHOUT THE EXPRESSED WRITTEN CONSENT OF SAMTEC, INC.</p>	<p>samtec</p> <p>520 PARK EAST BLVD, NEW ALBANY, IN 47150 PHONE: 812-944-6733 FAX: 812-948-5047 e-Mail: info@SAMTEC.com code: 55322</p>



$.475 [12.07]$
 (NO. OF POS x $.0500 [1.270]$) + $.125 [3.18]$



SECTION "B"- "B"

FIG 2
 TFSD-07-S-S SHOWN
 (DIFFERENT AS SHOWN, OTHERWISE SAME AS FIG 1)

PROPRIETARY NOTE
 THIS DOCUMENT CONTAINS INFORMATION CONFIDENTIAL AND PROPRIETARY TO SAMTEC, INC. AND SHALL NOT BE REPRODUCED OR TRANSFERRED TO OTHER DOCUMENTS OR DISCLOSED TO OTHERS OR USED FOR ANY PURPOSE OTHER THAN THAT WHICH IT WAS OBTAINED WITHOUT THE EXPRESSED WRITTEN CONSENT OF SAMTEC, INC.

DO NOT SCALE DRAWING

SHEET SCALE: 4:1



520 PARK EAST BLVD, NEW ALBANY, IN 47150
 PHONE: 812-944-6733 FAX: 812-948-5047
 e-Mail: info@SAMTEC.com code: 55322

DESCRIPTION:
 .050" CL CRIMP WIRE SOCKET INSULATOR

DWG. NO.
 TSDF-XX-X-S-X

BY: J. BROWNING 10/04/07 SHEET 2 OF 3

FIG. 3
 -L: FRICTION LOCK OPTION
 TFSD-30-D-S-L SHOWN
 (ONLY AVAILABLE ON DOUBLE ROW &
 POSITIONS -05, -07, & -10 THRU -30)
 (SAME AS FIG. 1 UNLESS SPECIFIED)
 (SEE NOTE 3)

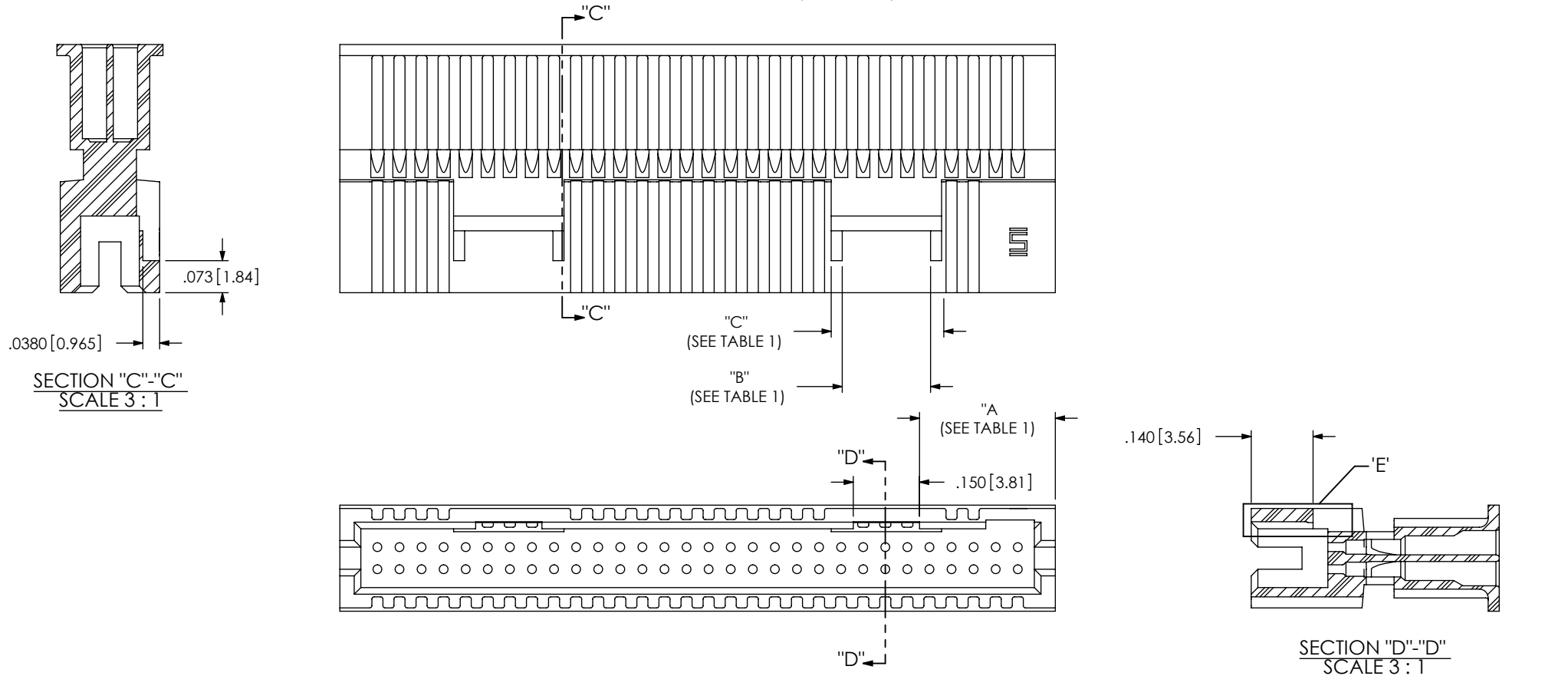


TABLE 1

No. OF POS.	"A"	"B"	"C"
EVEN	.308	.200	.250
ODD (EXCL. -05 & -07 POS)	.358	.200	.250
-05 & -07	.111	.175	.225

DETAIL 'E'
 SCALE 8 : 1

PROPRIETARY NOTE
 THIS DOCUMENT CONTAINS INFORMATION
 CONFIDENTIAL AND PROPRIETARY TO
 SAMTEC, INC. AND SHALL NOT BE REPRODUCED
 OR TRANSFERRED TO OTHER DOCUMENTS OR
 DISCLOSED TO OTHERS OR USED FOR ANY
 PURPOSE OTHER THAN THAT WHICH IT WAS
 OBTAINED WITHOUT THE EXPRESSED WRITTEN
 CONSENT OF SAMTEC, INC.

DO NOT SCALE DRAWING
 SHEET SCALE: 2:1

520 PARK EAST BLVD, NEW ALBANY, IN 47150
 PHONE: 812-944-6733 FAX: 812-948-5047
 e-Mail: info@SAMTEC.com code: 55322

DESCRIPTION:
 .050" CL CRIMP WIRE SOCKET INSULATOR

DWG. NO. **TSDF-XX-X-S-X**