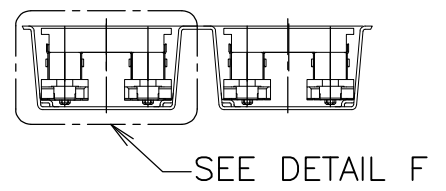
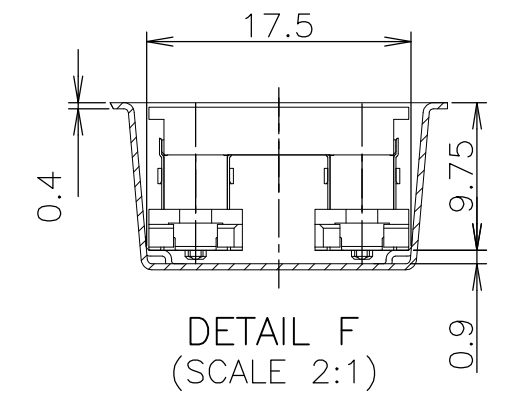
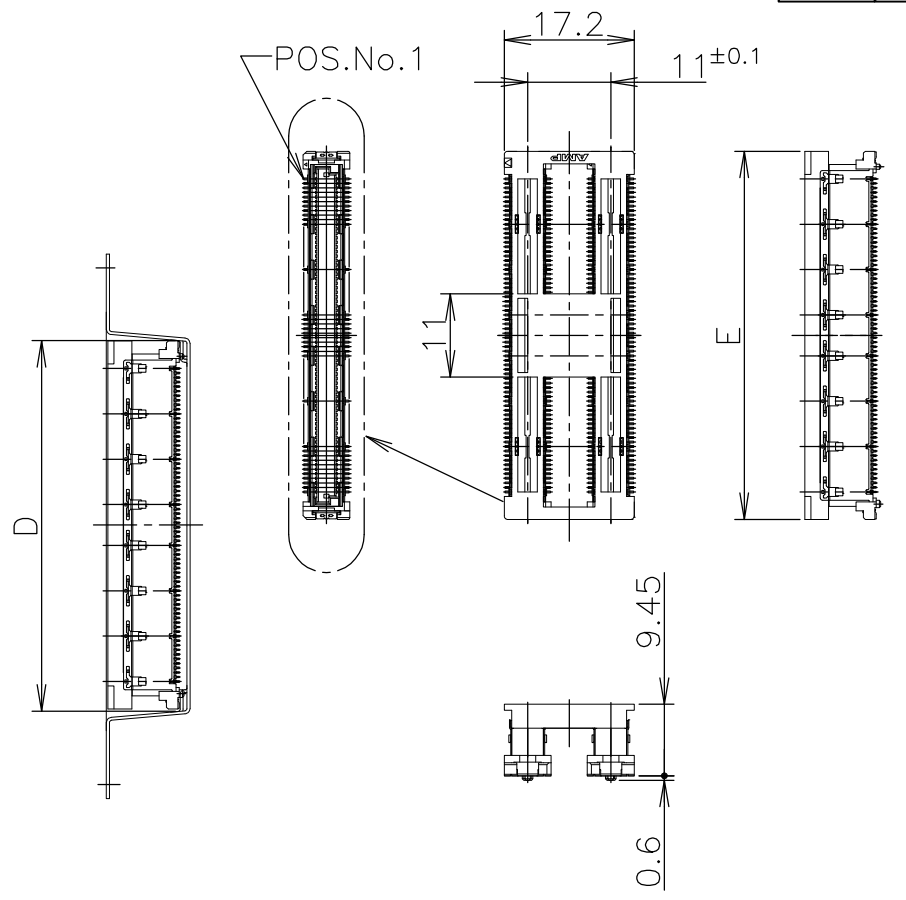
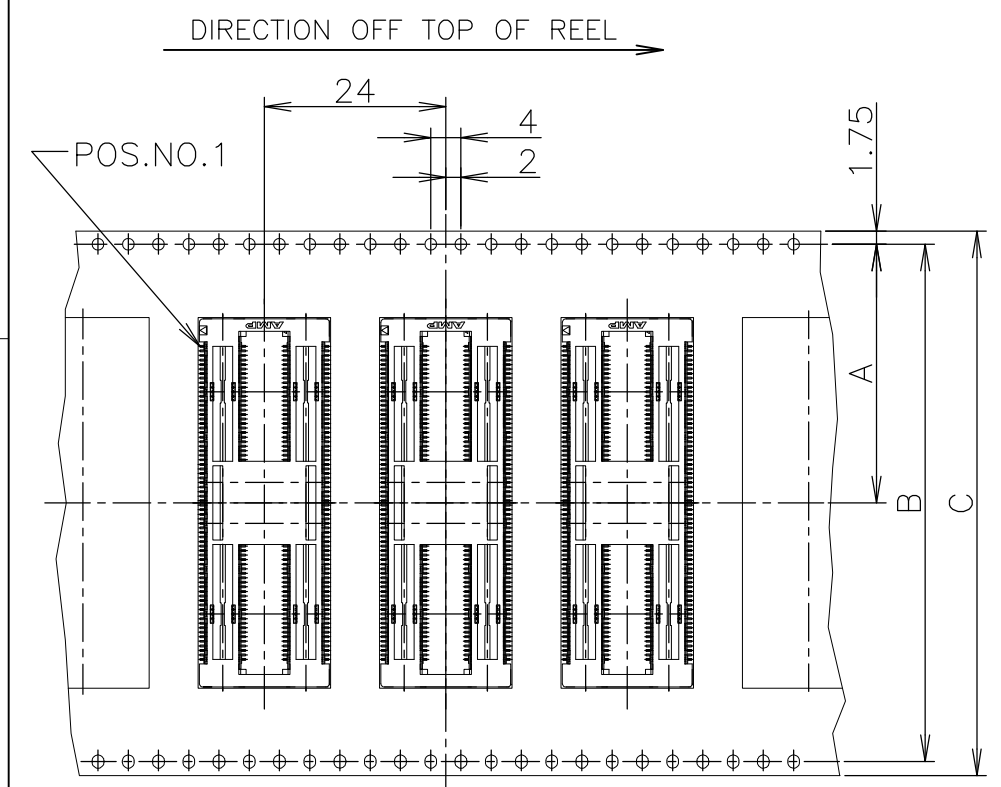
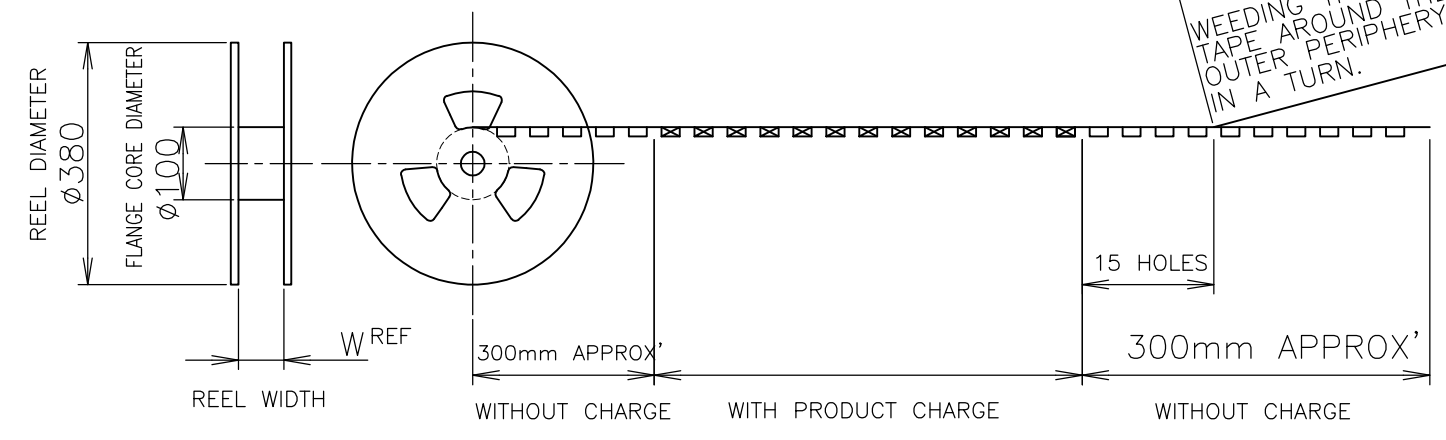


THIS DRAWING IS UNPUBLISHED. RELEASED FOR PUBLICATION JUN , 1996.  
 © COPYRIGHT 1996 BY TYCO ELECTRONICS CORPORATION. ALL RIGHTS RESERVED.

LOC	DIST	REVISIONS			DATE	DWN	APVD
		P	LTR	DESCRIPTION			
J		A	REVISED	ECR-08-000339	01FEB08	T.T	T.F



WEEDING THE COVER TAPE AROUND THE OUTER PERIPHERY IN A TURN.



SEALANT	NOT AVAILABLE	300	77.5	54.7	55	72	68.4	34.2	320	6-5353233-1
	AVAILABLE	↑	77.5	48.7	49	72	68.4	34.2	280	6- ↑ -0
NON SEALANT	NOT AVAILABLE	↑	61.5	42.7	43	56	52.4	26.2	240	5- ↑ -9
	NOT AVAILABLE	300	61.5	36.7	37	56	52.4	26.2	200	5-5353233-8
NON SEALANT	NOT AVAILABLE	300	77.5	54.7	55	72	68.4	34.2	320	1-5353233-1
	AVAILABLE	↑	77.5	48.7	49	72	68.4	34.2	280	1- ↑ -0
NON SEALANT	NOT AVAILABLE	↑	61.5	42.7	43	56	52.4	26.2	240	↑ -9
	NOT AVAILABLE	300	61.5	36.7	37	56	52.4	26.2	200	5353233-8
SEALANT	TOOLING STATUS	QTY.	W	E	D	C	B	A	POS.	PART NO.

THIS PRODUCT WAS COATED BY FLUX-PENETRATION-INHIBITING AGENT.

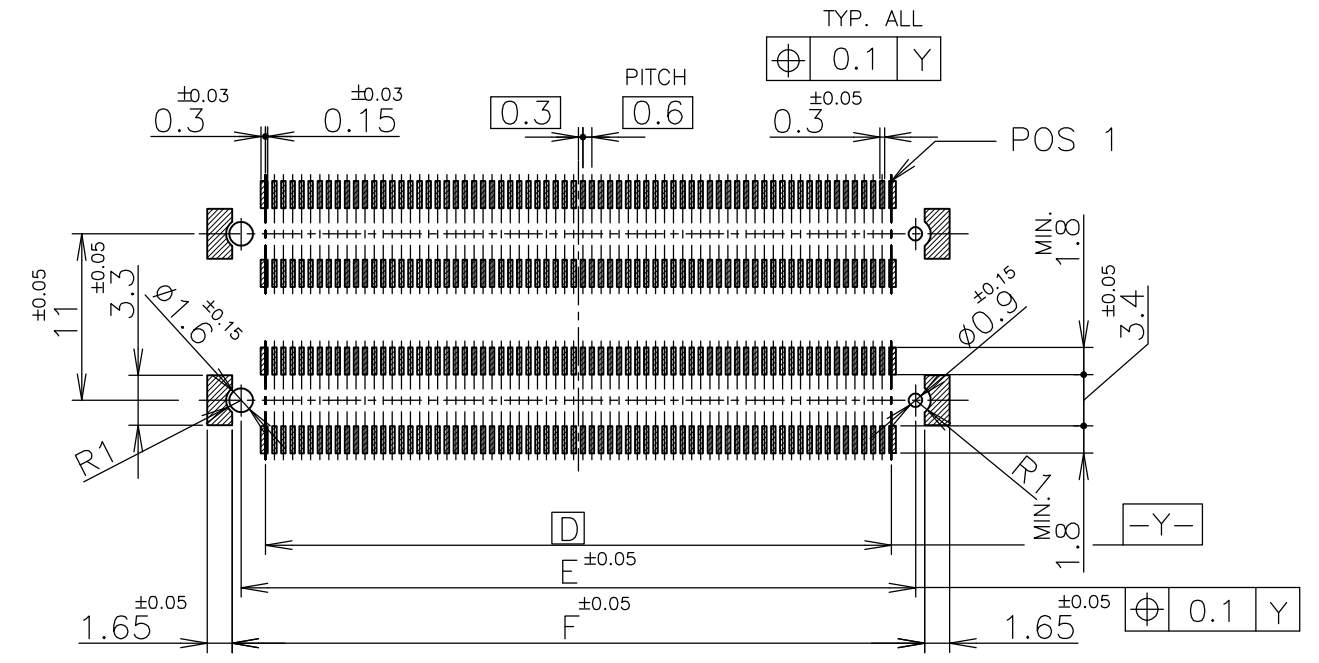
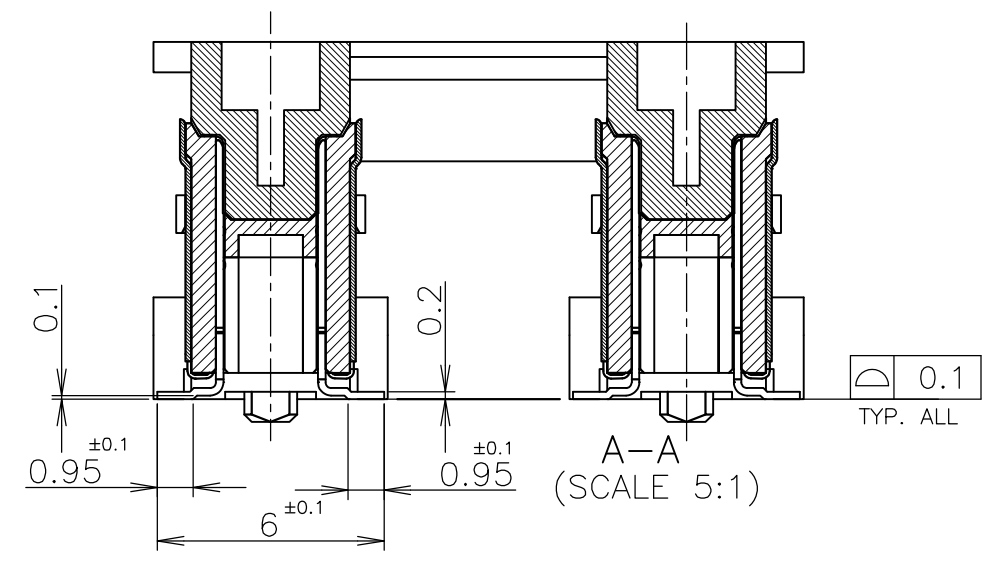
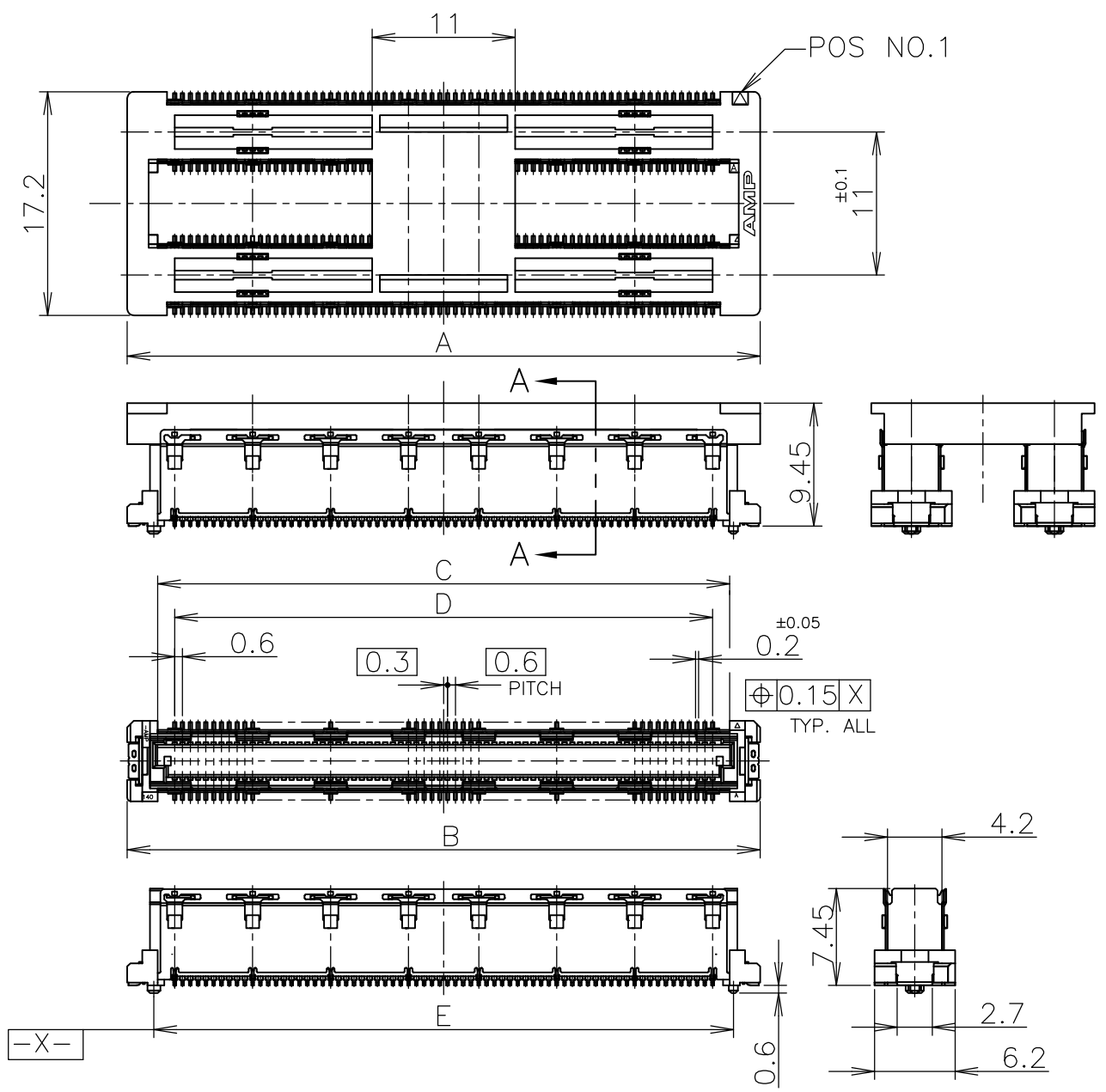
THIS DRAWING IS A CONTROLLED DOCUMENT.

DWN HAWKING HE 14DEC04	Tyco Electronics Corporation Kawasaki, Japan
CHK STEVEN YAO 14DEC04	
APVD I.ENOMOTO 14DEC04	NAME 名称
PRODUCT SPEC 製品規格 108-60047	EMBOSS ASSY FH 0.6BTB CONNECTOR PLUG 8H 2ROW TYPE W/G-PLATE
APPLICATION SPEC 取付適用規格 114-5255	SIZE A3 CAGE CODE 00779 DRAWING NO 番号 G-5353233 RESTRICTED TO
MATERIAL 材料	WEIGHT

CUSTOMER DRAWING SCALE 1:1 SHEET 1 OF 3 REV A

THIS DRAWING IS UNPUBLISHED. RELEASED FOR PUBLICATION JUN ,1996.  
 © COPYRIGHT 1996 BY TYCO ELECTRONICS CORPORATION. ALL RIGHTS RESERVED.

LOC	DIST	REVISIONS			DATE	DWN	APVD
J		P	LTR	DESCRIPTION			
				SEE SHEET 1	-	-	-



REFERENCE P.C. BOARD LAYOUT

51.8	50.6	47.4	50	54.7	54.7	320	1-353120-1
45.8	44.6	41.4	44	48.7	48.7	280	1- -0
39.8	38.6	35.4	38	42.7	42.7	240	-9
33.8	32.6	29.4	32	36.7	36.7	200	353120-8
F	E	D	C	B	A	POS	CAP P/N

- 1 MATERIAL ; HOUSING : HIGH TEMP THERMO PLASTIC UL94V-0  
CONTACT : COPPER ALLOY
- 2 FINISH ; UNDER PL Ni 0.0013mm MIN ALL OVER.  
CONTACT AREA 0.0002 MIN Au PL.  
SOLDERING AREA 0.001 MIN TIN PL.
- 3 THIS POSITION IS GROUND CIRCUIT.

GENERAL TOLERANCE  
一般公差

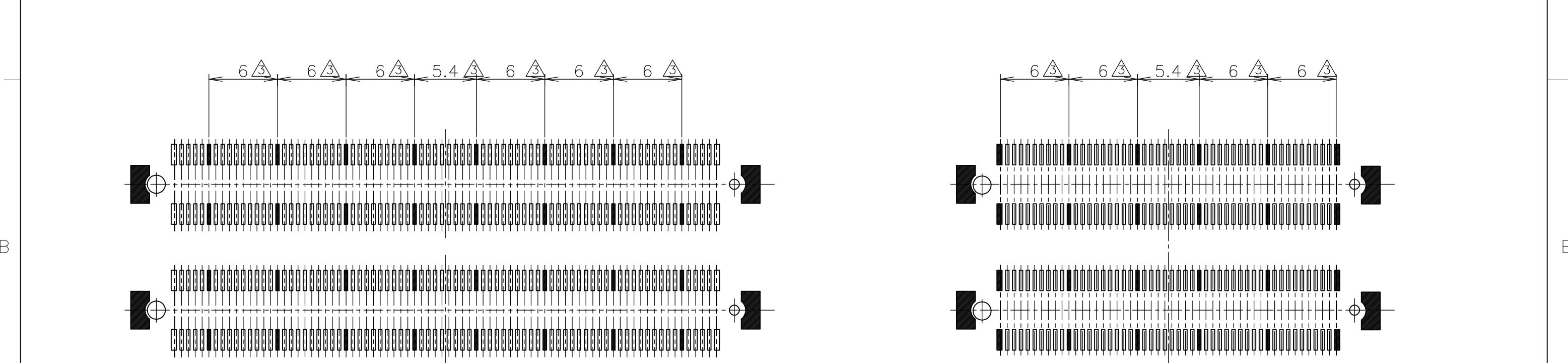
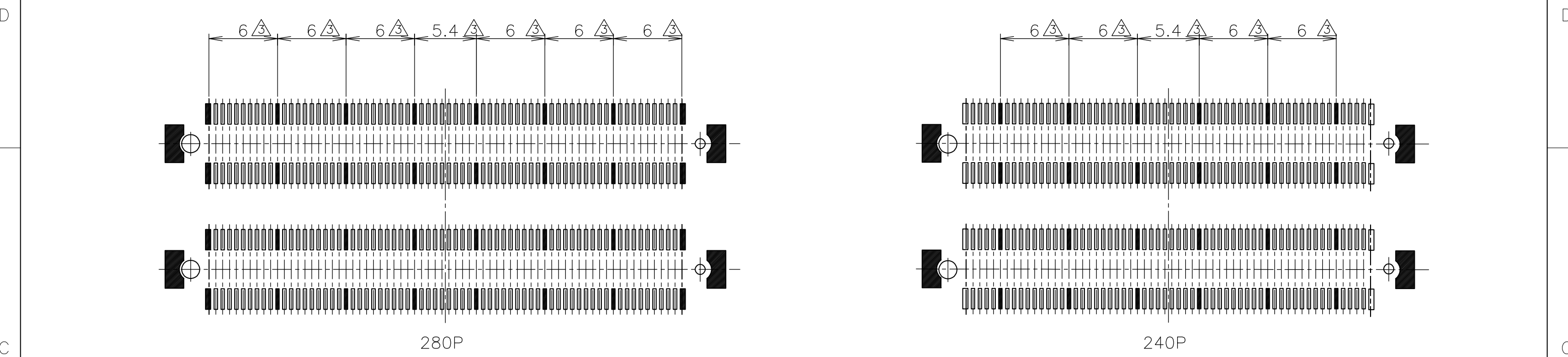
10 ≥	±0.2
30 ≥	>10: ±0.25
100 ≥	>30: ±0.3
ANGLES: ±3°	

THIS DRAWING IS A CONTROLLED DOCUMENT.

DIMENSIONS: 単位: 耗 mm	TOLERANCES UNLESS OTHERWISE SPECIFIED: 一般公差	DWN	Tyco Electronics Corporation Kawasaki, Japan	
	0 PLC ± -	CHK	NAME 名称	
	1 PLC ± -	APVD	EMBOSS ASSY	
	2 PLC ± -	PRODUCT SPEC	FH 0.6BTB CONNECTOR	
	3 PLC ± -	APPLICATION SPEC	PLUG 8H 2ROW TYPE W/G-PLATE	
	4 PLC ± -	WEIGHT	SIZE	CAGE CODE
	ANGLES ± -		A3	00779
MATERIAL 材料	FINISH 仕上		DRAWING NO 番号	RESTRICTED TO
			G-5353233	
CUSTOMER DRAWING		SCALE 尺度	SHEET	REV
		2:1	2 OF 3	A

THIS DRAWING IS UNPUBLISHED. RELEASED FOR PUBLICATION JUN , 1996.  
 © COPYRIGHT 1996 BY TYCO ELECTRONICS CORPORATION. ALL RIGHTS RESERVED.

LOC	DIST	REVISIONS 変更			DATE	DWN	APVD
J		P	LTR	DESCRIPTION			
				SEE SHEET 1	-	-	-



GENERAL TOLERANCE  
一般公差

10 ≥ ±0.2  
 30 ≥ >10: ±0.25  
 100 ≥ >30: ±0.3  
 ANGLES: ±3°

THIS DRAWING IS A CONTROLLED DOCUMENT.	
DIMENSIONS: 単位: 耗 mm	TOLERANCES UNLESS OTHERWISE SPECIFIED: 一般公差
	0 PLC ± -
	1 PLC ± -
	2 PLC ± -
	3 PLC ± -
MATERIAL 材料	4 PLC ± -
	ANGLES ± -
	FINISH 仕上

DWN	Tyco Electronics Corporation Kawasaki, Japan	
CHK	NAME 名称	
APVD	EMBOSS ASSY FH 0.6BTB CONNECTOR PLUG 8H 2ROW TYPE W/G-PLATE	
PRODUCT SPEC 製品規格	SIZE	CAGE CODE
APPLICATION SPEC 取付適用規格	A3	00779
WEIGHT	DRAWING NO 番号 G-5353233	
CUSTOMER DRAWING		RESTRICTED TO
SCALE 尺度 3:1		SHEET 3 OF 3
		REV A