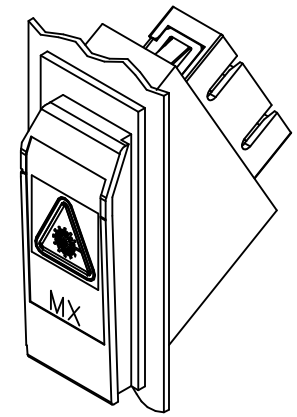
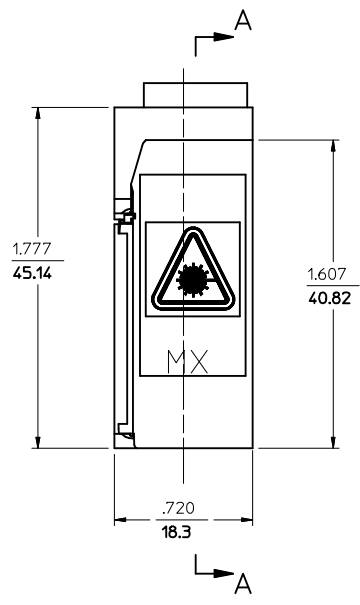
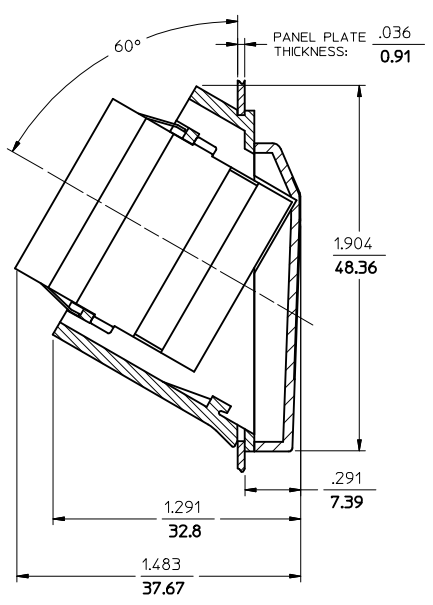
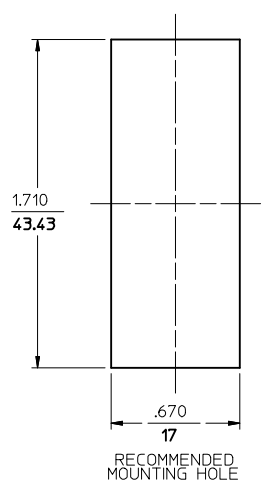
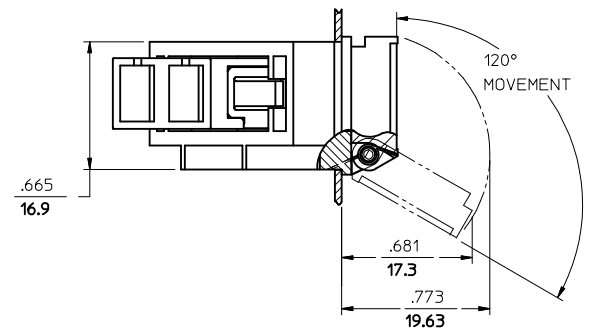


BEZEL P/N	SLEEVE MATERIAL	ADAPTER COLOR
106004-3180	PHOSPHOR BRONZE	BLACK
106004-3181	ZIRCONIA	
106004-3182	PHOSPHOR BRONZE	BLUE
106004-3183	ZIRCONIA	



ISOMETRIC VIEW

NOTE:
LABEL TO BE INSTALLED BY CUSTOMER.

ENTER DESCRIPTION EC NO: MF2009-0377 DRW:KPEVZNER 2009/02/06 CHKD: 2009/02/06 APPR: IGJMIN 2009/02/10 REV: A1	QUALITY SYMBOLS	GENERAL TOLERANCES (UNLESS SPECIFIED)	DIMENSION STYLE	SCALE	DESIGN UNITS	THIRD ANGLE PROJECTION															
	$\nabla=0$ $\nabla=0$	<table border="1"> <thead> <tr> <th></th> <th>mm</th> <th>INCH</th> </tr> </thead> <tbody> <tr> <td>4 PLACES</td> <td>± .005</td> <td>± .0005</td> </tr> <tr> <td>3 PLACES</td> <td>± .005</td> <td>± .0005</td> </tr> <tr> <td>2 PLACES</td> <td>± .005</td> <td>± .0005</td> </tr> <tr> <td>1 PLACE</td> <td>± .005</td> <td>± .0005</td> </tr> </tbody> </table>		mm	INCH	4 PLACES	± .005	± .0005	3 PLACES	± .005	± .0005	2 PLACES	± .005	± .0005	1 PLACE	± .005	± .0005	IN/MM	1:1	INCH	
		mm	INCH																		
	4 PLACES	± .005	± .0005																		
3 PLACES	± .005	± .0005																			
2 PLACES	± .005	± .0005																			
1 PLACE	± .005	± .0005																			
			DRAWN BY: RPACIFICI DATE: 2005/10/18	TITLE: DUPLEX BEZEL ADAPTER KIT (SC-SC)																	
		ANGULAR ±1/2°	CHECKED BY: DATE:	APPROVED BY: DATE:																	
		DRAFT WHERE APPLICABLE MUST REMAIN WITHIN DIMENSIONS	MATERIAL NO. SEE TABLE	DOCUMENT NO. SD-106004-318X		SHEET NO. 1 OF 01															
			THIS DRAWING CONTAINS INFORMATION THAT IS PROPRIETARY TO MOLEX INCORPORATED AND SHOULD NOT BE USED WITHOUT WRITTEN PERMISSION																		