

4

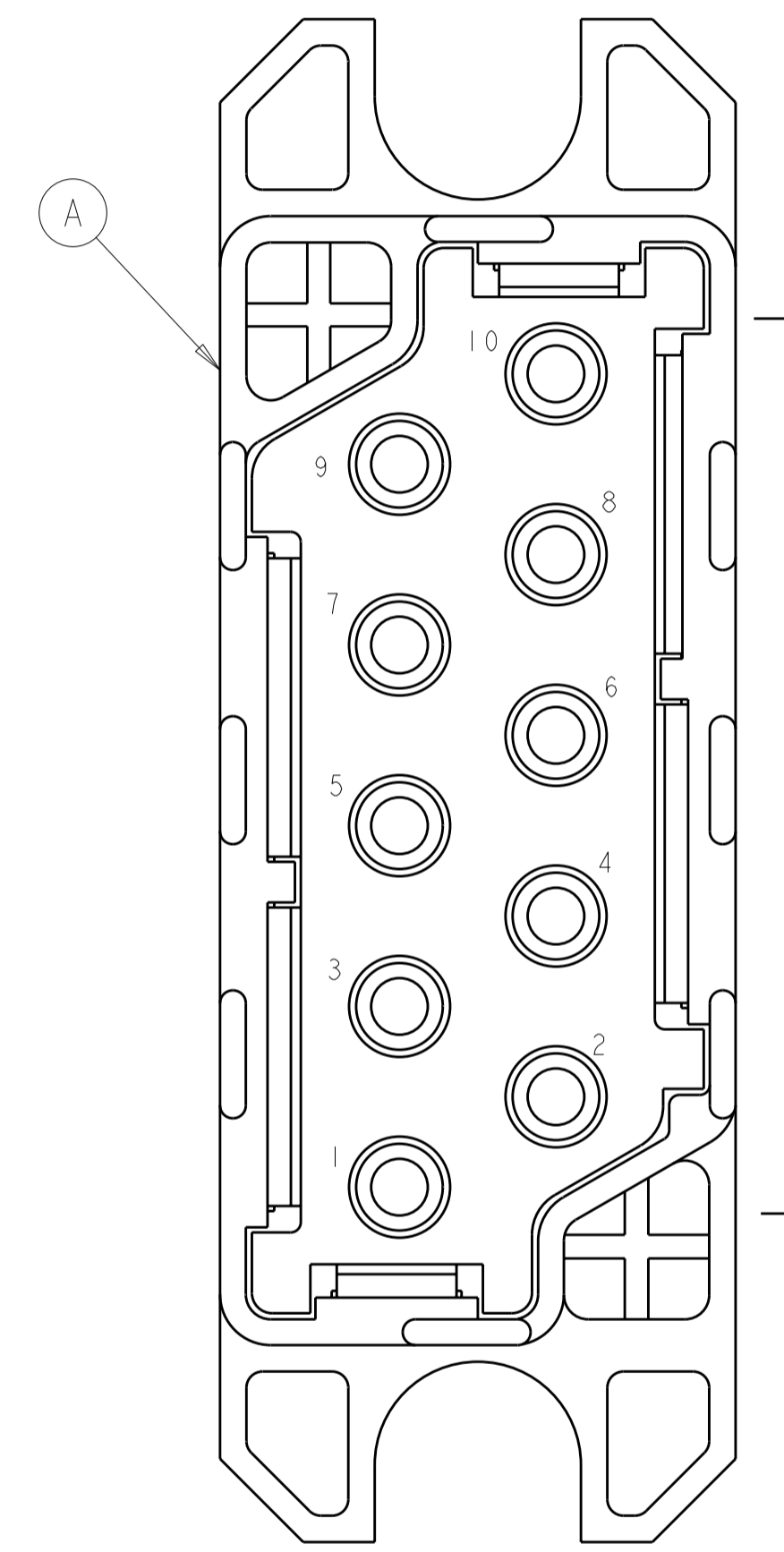
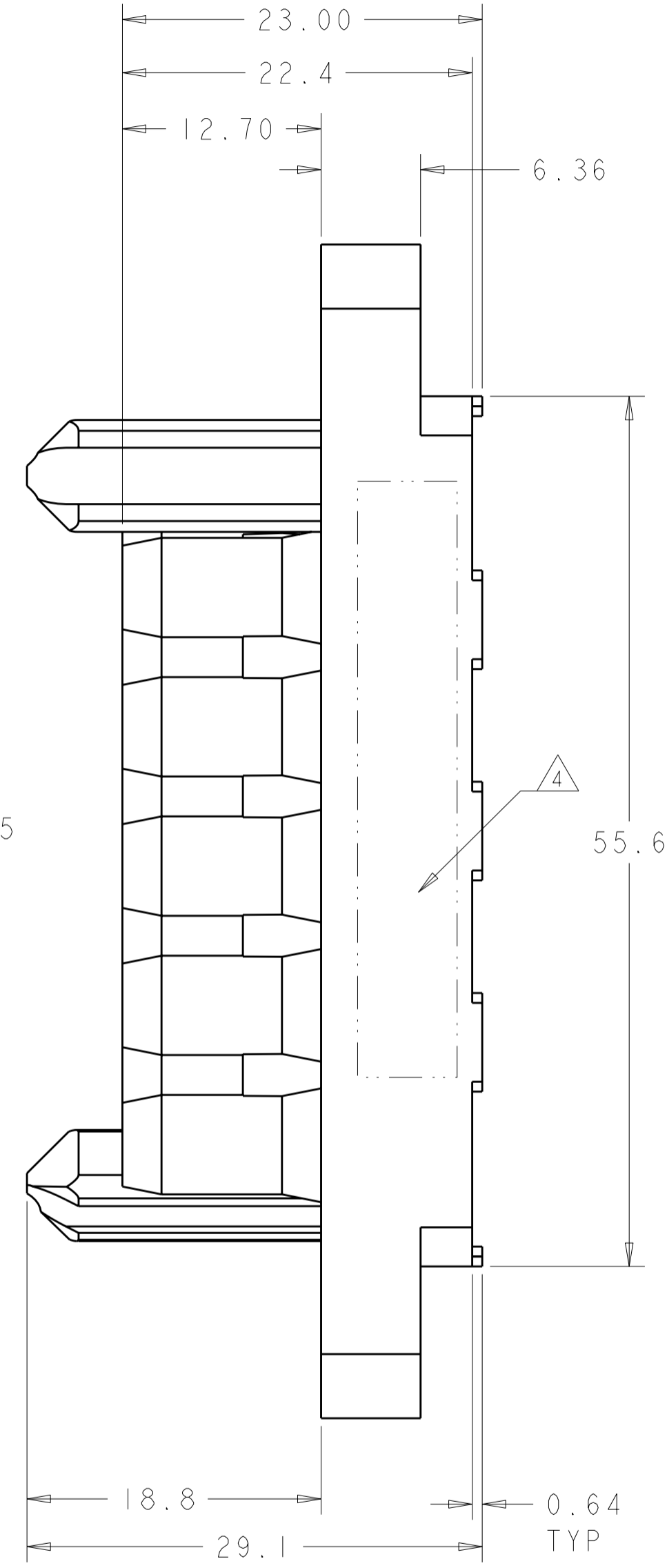
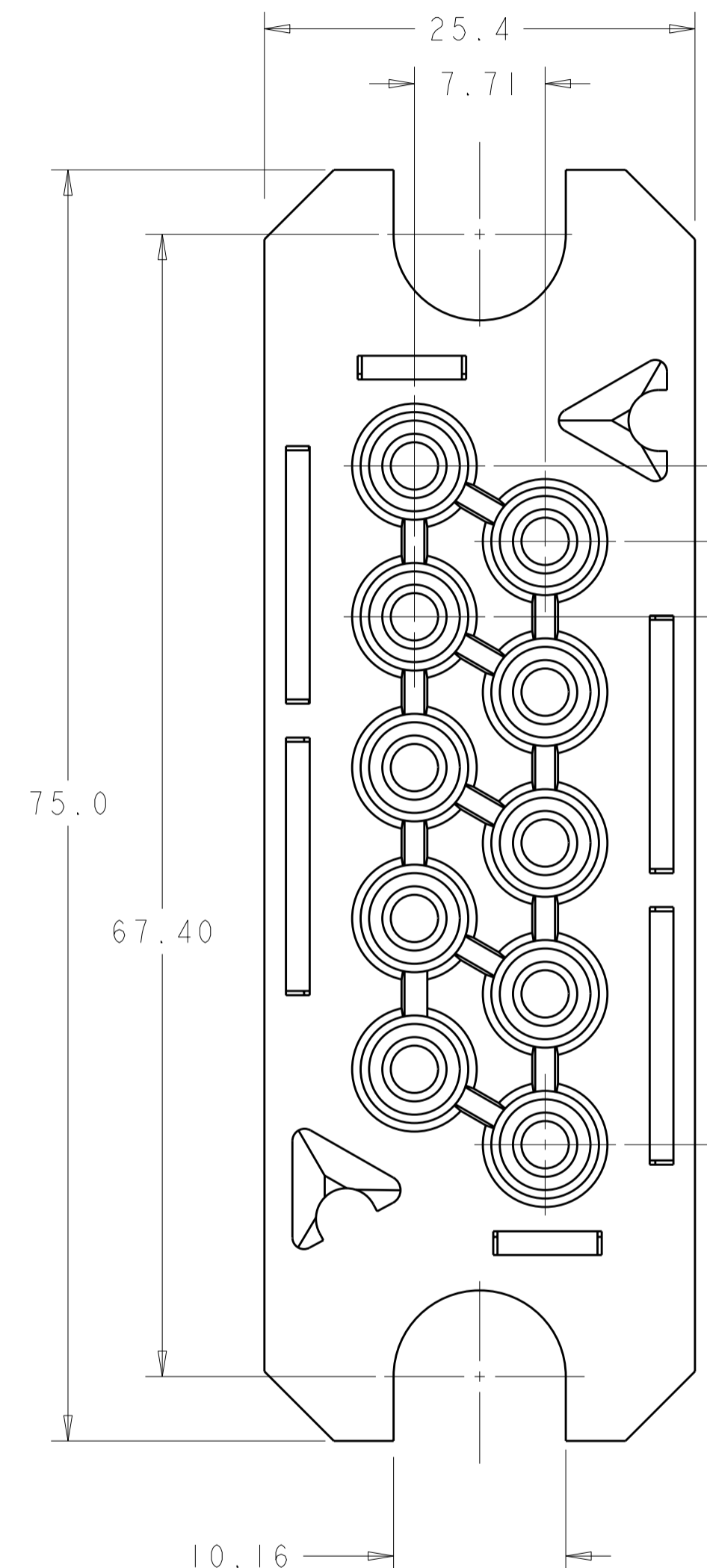
3

2

1

THIS DRAWING IS UNPUBLISHED. RELEASED FOR PUBLICATION 20  
 © COPYRIGHT 20 BY TYCO ELECTRONICS CORPORATION. ALL RIGHTS RESERVED.

LOC	DIST	REVISIONS			
P	LTR	DESCRIPTION	DATE	DWN	APVD
GP	00	A	INITIAL RELEASE	11OCT2006	GIP DO
		B	REVISED PER ECO-07-004109	21FEB2007	GIP DO



SOCKET CONTACT (B)  
 SIZE #12

REAR VIEW

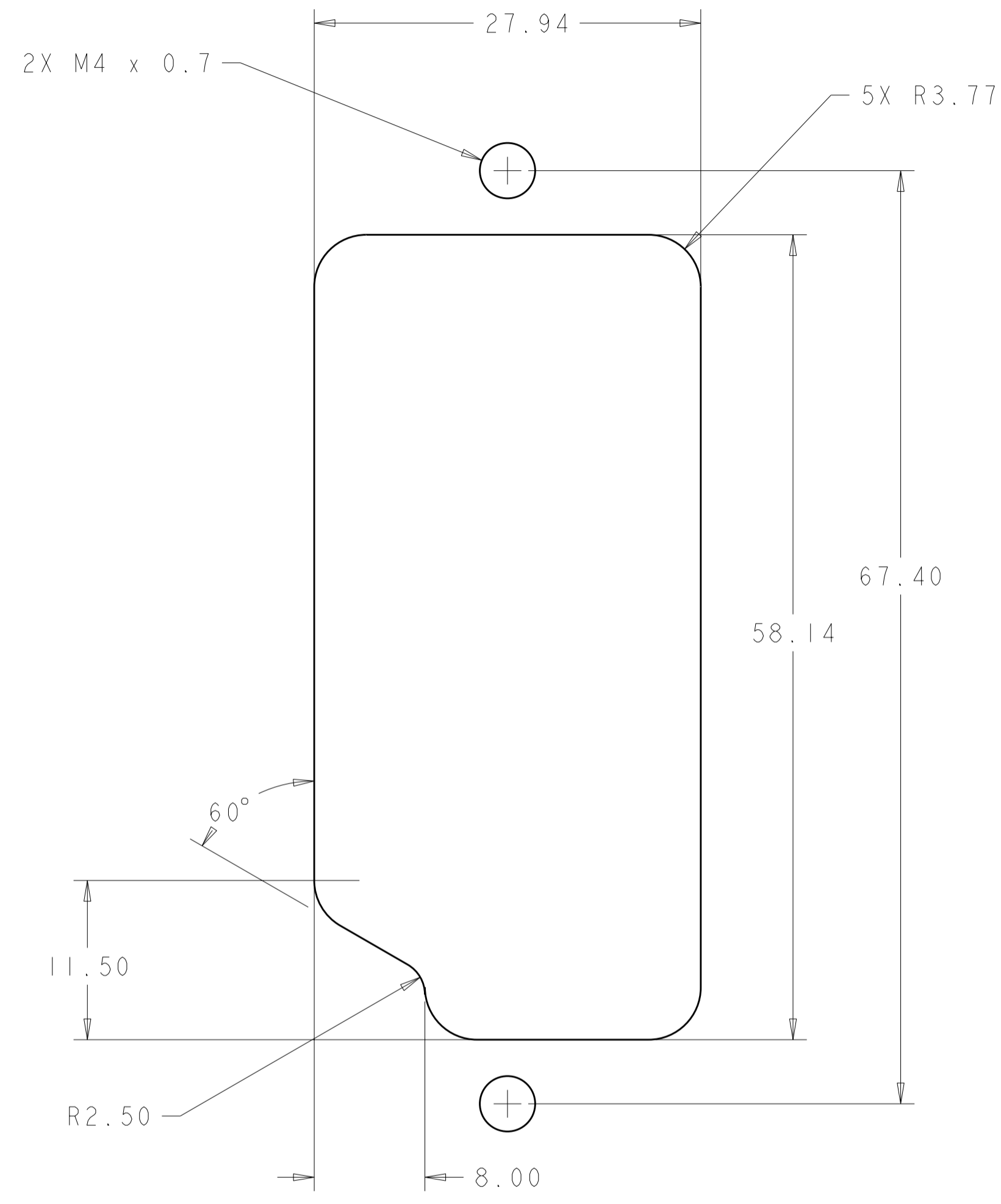
**ELCON P1050 DRAWER**

AS SHOWN	1926212-1
DESCRIPTION	PART NUMBER

THIS DRAWING IS A CONTROLLED DOCUMENT FOR TYCO ELECTRONICS CORPORATION. IT IS SUBJECT TO CHANGE AND THE CONTROLLING ENGINEERING ORGANIZATION SHOULD BE CONTACTED FOR THE LATEST REVISION.		DWN G. PETERS 11OCT2006	Tyco Electronics Harrisburg, PA 17105-3608
DIMENSIONS: mm		CHK D. ORRIS 11OCT2006	
TOLERANCES UNLESS OTHERWISE SPECIFIED:		APVD S. FLICKINGER 11OCT2006	
0 PLC ±- 1 PLC ±- 2 PLC ±.30 3 PLC ±.10 4 PLC ±- ANGLES ±2 FINISH		PRODUCT SPEC - APPLICATION SPEC - WEIGHT -	
MATERIAL	-	CUSTOMER DRAWING	NAME SOCKET CONNECTOR P1050 DRAWER SIZE CAGE CODE DRAWING NO RESTRICTED TO A200779G-1926212 -
SCALE 3:1			SHEET 1 OF 2 REV B

THIS DRAWING IS UNPUBLISHED. RELEASED FOR PUBLICATION 20  
 © COPYRIGHT 20 BY TYCO ELECTRONICS CORPORATION. ALL RIGHTS RESERVED.

LOC	DIST	REVISIONS			
P	LTR	DESCRIPTION	DATE	DWN	APVD
GP	00	-	SEE SHEET 1	-	-



SUGGESTED PANEL CUT-OUT  
 VIEW FROM CONNECTOR MOUNTING SIDE

- PART NUMBER CHANGES AND OR DESIGN CHANGES AFFECTING ITEM INTERCHANGEABILITY REQUIRE PRIOR TYCO APPROVAL AND AUTHORIZATION BY REVISION TO THIS DRAWING.
- MATERIAL:
  - INSULATORS - THERMOPLASTIC, GLASS REINFORCED, COLOR: BLACK UL94V-0 FLAMMABILITY RATED.
  - SOCKET CONTACTS - COPPER ALLOY
  - RETENTION CLIPS: BERYLLIUM COPPER OR STAINLESS STEEL
  - CROWN BAND: BERYLLIUM COPPER
  - SHOULDER SCREWS: STAINLESS STEEL
- FINISH:
  - CONTACTS - SILVER PLATE .000200 INCH MIN. THK., OVER NICKEL .000040 INCH MIN. THK.

- △ ITEMS PROVIDED TO THIS SPECIFICATION TO BE PERMANENTLY IDENTIFIED PER THE FOLLOWING IDENTIFIER LABEL
- YEAR    WEEK
- TYCO PART NO.                      DATE CODE (e.g. 0106)
- XXXXXXXX-X                      XXXX
- △ CRIMP CONTACTS AND SHOULDER SCREWS ( ITEM B ) SHALL BE PACKAGED SEPERATELY AND PLACED IN THE BOX WITH THE CONNECTOR ASSEMBLY.

△ 10	6648433-1	CONTACT SOCKET #12, CRIMP #10	B
1	1648596-2	SOCKET, CONNECTOR ASSY	A
-1	PART NUMBER	DESCRIPTION	ITEM NO.

<small>THIS DRAWING IS A CONTROLLED DOCUMENT FOR TYCO ELECTRONICS CORPORATION IT IS SUBJECT TO CHANGE AND THE CONTROLLING ENGINEERING ORGANIZATION SHOULD BE CONTACTED FOR THE LATEST REVISION.</small>		DWN G. PETERS 11OCT2006 CHK D. ORRIS 11OCT2006 APVD S. FLICKINGER 11OCT2006	<b>tyco</b> Electronics Tyco Electronics Harrisburg, PA 17105-3608
DIMENSIONS: mm 	TOLERANCES UNLESS OTHERWISE SPECIFIED: 0 PLC ± 1 PLC ± 2 PLC ±.30 3 PLC ±.10 4 PLC ± ANGLES ±2 FINISH	PRODUCT SPEC APPLICATION SPEC WEIGHT CUSTOMER DRAWING	NAME SOCKET CONNECTOR P10S0 DRAWER SIZE CAGE CODE DRAWING NO RESTRICTED TO A200779G-1926212 -
MATERIAL -		SCALE 3:1 SHEET 2 OF 2 REV B	

**ELCON P10S0 DRAWER**