

# CGA9N2C0G2A154J230KA

TDK Item Description : CGA9N2C0G2A154T\*\*\*\*



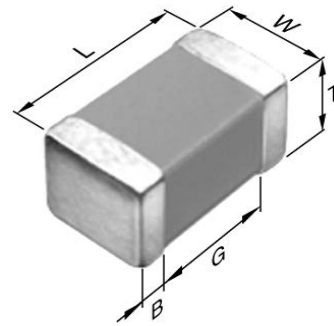
Equivalent C5750C0G2A154J for Automotive

## Application & Main Feature

Automotive Grade ( Mid Volatge (100 to 630V) )

## Series

CGA9(5750) [EIA CC2220]



## Dimensions

L	5.70mm +/-0.4mm
W	5.00mm +/-0.4mm
T	2.30mm +/-0.2mm
B	0.20mm Min.
G	

## Temperature Characteristic

C0G (-55 to 125 degC 0+/-30ppm/degC)

## Rated Voltage

2A (100Vdc)

## Capacitance

150nF

## Capacitance Tolerance

J (+/-5%)

## Q Factor

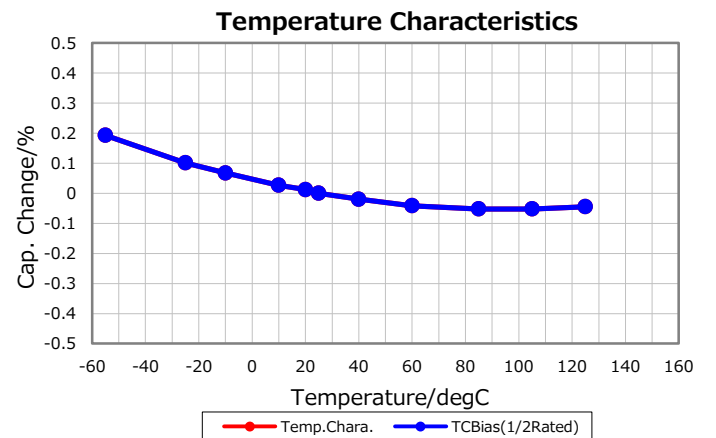
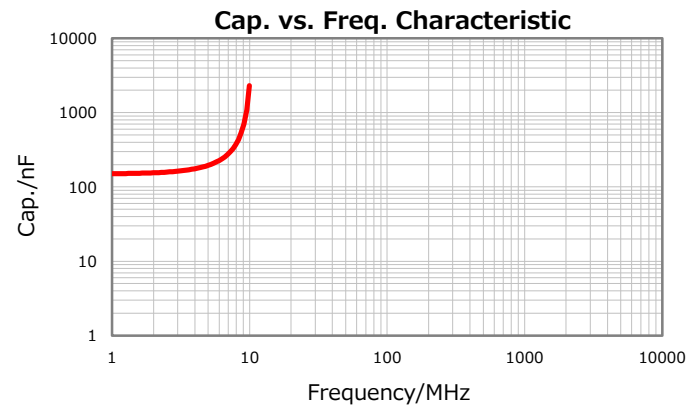
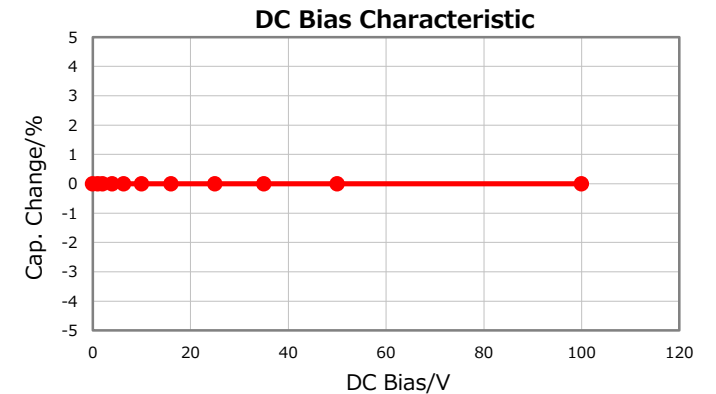
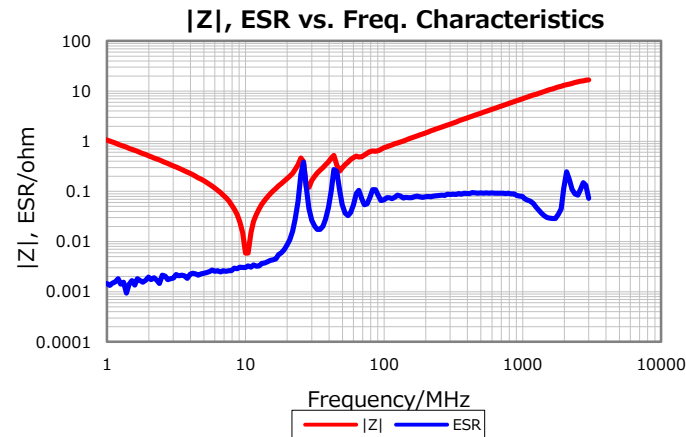
1000 Min.

## Insulation Resistance

3.33Gohm Min

## AEC-Q200

Yes



Characterization Sheet ( Multilayer Ceramic Chip Capacitors )



All specifications are subject to change without notice.

April 13, 2016