

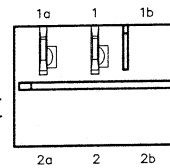
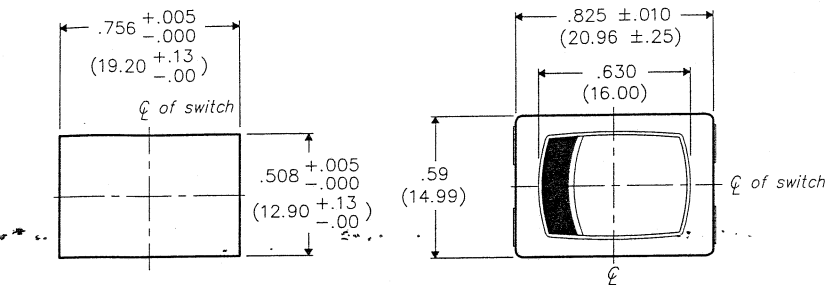
DIMENSIONS IN INCHES (MILLIMETERS)
DO NOT SCALE DRAWING

Dwg. No.

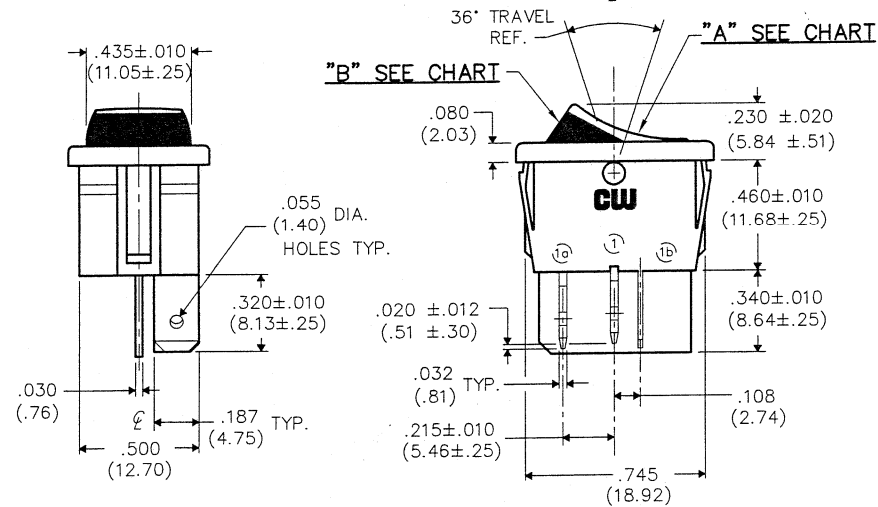
GRSV-4011-0131 THRU -0133

E
D
C
B
A

PANEL PIERCING



**BOTTOM VIEW
(RELOCATED)**



PART NUMBER	HOUSING COLOR	BUTTON COLOR "A" / "B"	CIRCUIT	RATING	UL & CSA
CW # - GRSV-4011-0131	BLACK BK-000	BLACK BK-000/GRAY GY-835	SPST	8A 125V AC	APPROVED
ELECTROLUX # - 316448700	EWC 7802	EWC 7802/NCS-3502-B		4A 250V AC 3A 277V AC	
CW # - GRSV-4011-0132	WHITE WT-901	WHITE WT-901/GRAY GY-836	SPST	8A 125V AC	APPROVED
ELECTROLUX # - 316448701	EWC 7804	EWC 7804/NCS-7502-B		4A 250V AC 3A 277V AC	
CW # - GRSV-4011-0133	BISQUE BN-129	BISQUE BN-129/BROWN-GRAY GY-837	SPST	8A 125V AC	APPROVED
ELECTROLUX # - 316448702	EWC 7004	EWC 7004/NCS-7005-Y20R		4A 250V AC 3A 277V AC	

1 2 3 4 5 6 7 8 9 10

B-FORMAT 2002
REVISIONS
 0
 RELEASED: 8-10-2005
 AUG 11 2005

CW INDUSTRIES
 Southampton, Pa. 18966

Title: 2 COLOR ROCKER SWITCH ASSEMBLY (POP IN) S.P.- S.T.

TOLERANCES UNLESS OTHERWISE SPECIFIED
 2 Place Decimal $\pm .010$ METRIC
 3 Place Decimal $\pm .005$ 1 Place Dec. $\pm .25$ mm
 Angles $\pm 1^\circ$ 2 Place Dec. $\pm .13$ mm

Made for: CW IND.
 Drawn by: DGW 8-10-2005
 Checked by: *ASib* 8-11-2005
 Approval: *ASib* 8-11-2005

Division: **SWITCH**
 Dwg. No. **GRSV-4011-0131 THRU -0133**