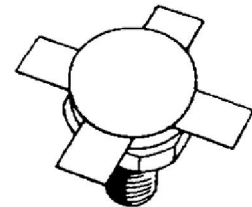


MS1008
**RF & MICROWAVE TRANSISTORS
HF SSB APPLICATIONS**
Features

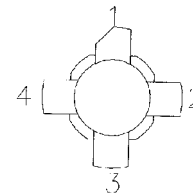
- 30 MHz
- 50 VOLTS
- IMD = -30 dB
- P_{OUT} = 150 WATTS
- G_P = 14 dB MINIMUM
- COMMON EMITTER CONFIGURATION

DESCRIPTION:

The MS1008 is a 50V epitaxial silicon NPN planar transistor designed primarily for SSB communications. This device utilizes emitter ballasting to achieve extreme ruggedness under severe operating conditions.



.550 4L STUD (M164)
epoxy sealed

PIN CONNECTION


- | | |
|--------------|------------|
| 1. Collector | 3. Base |
| 2. Emitter | 4. Emitter |

ABSOLUTE MAXIMUM RATINGS (T_{case} = 25°C)

Symbol	Parameter	Value	Unit
V _{CBO}	Collector-Base Voltage	110	V
V _{CEO}	Collector-Emitter Voltage	55	V
V _{EBO}	Emitter-Base Voltage	4.0	V
I _C	Device Current	10	A
P _{DISS}	Power Dissipation	233	W
T _J	Junction Temperature	+200	°C
T _{STG}	Storage Temperature	-65 to +150	°C

Thermal Data

R _{TH(J-C)}	Junction-Case Thermal Resistance	0.75	°C/W
----------------------	----------------------------------	------	------

Rev A 11/2005

ELECTRICAL SPECIFICATIONS (T_{case} = 25°C)
STATIC

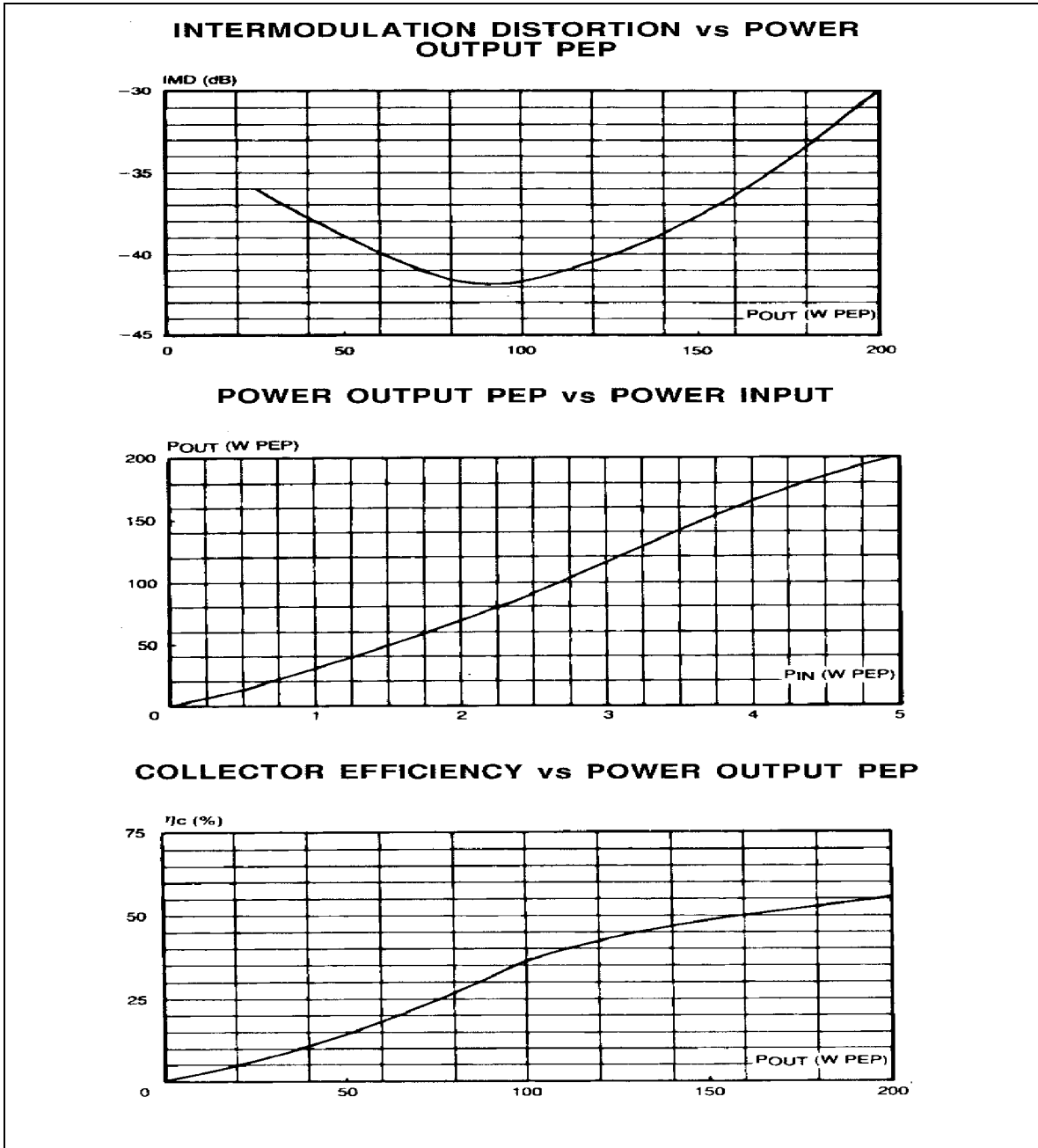
Symbol	Test Conditions		Value			Unit
			Min.	Typ.	Max.	
BV_{CBO}	I_C = 100mA	I_E = 0mA	110	---	---	V
BV_{CES}	I_C = 100mA	V_{BE} = 0V	110	---	---	V
BV_{CEO}	I_C = 100mA	I_B = 0mA	55	---	---	V
BV_{EBO}	I_E = 10mA	I_C = 0mA	4.0	---	---	V
I_{CEO}	V_{CE} = 30V	I_E = 0 mA	---	---	5	mA
I_{CES}	V_{CE} = 60V	I_E = 0mA	---	---	5	mA
h_{FE}	V_{CE} = 6V	I_C = 1.4A	15	---	50	---
h_{FE, MS1008A}	V_{CE} = 6V	I_C = 1.4A	20	---	30	---

DYNAMIC

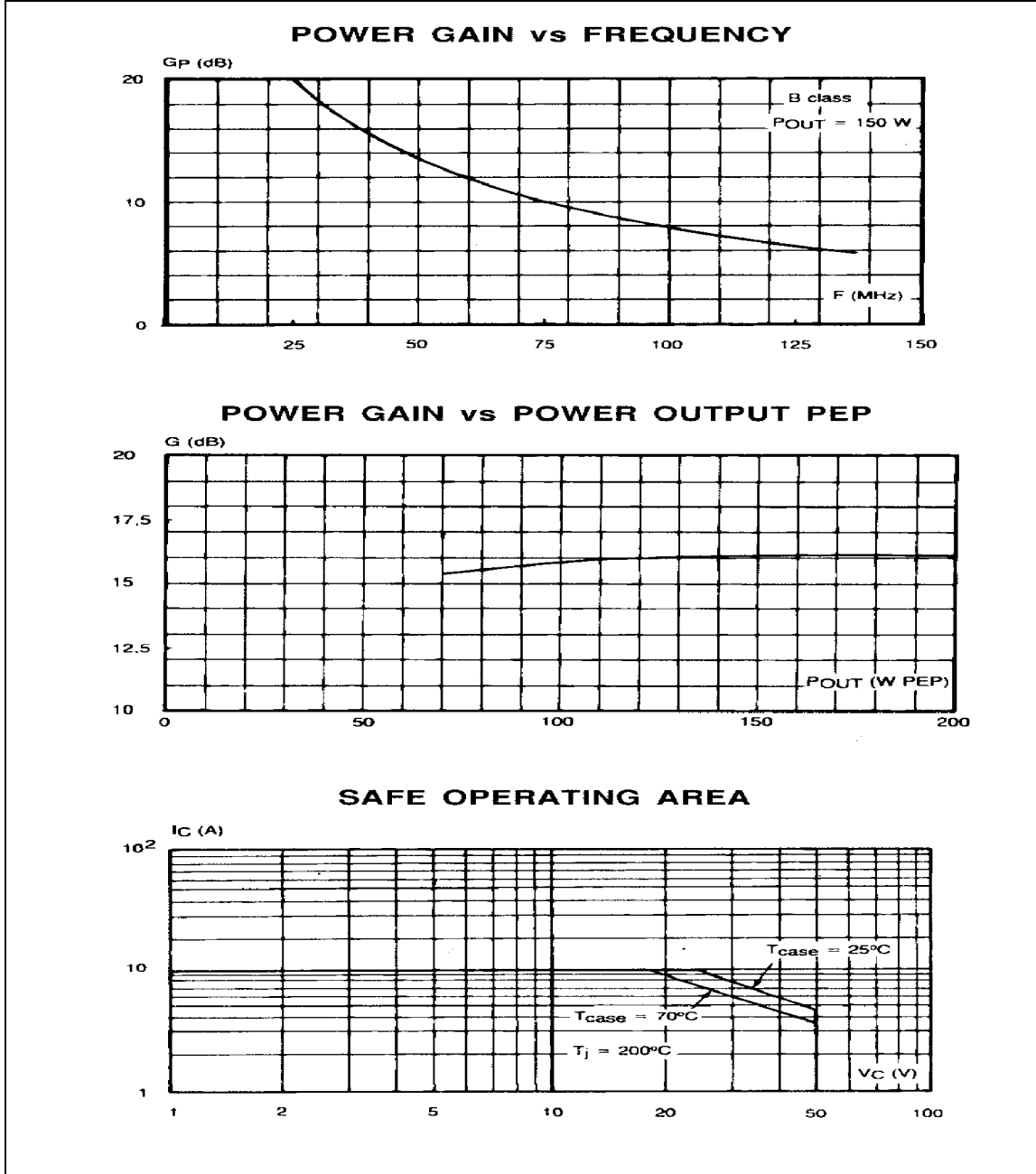
Symbol	Test Conditions			Value			Unit
				Min.	Typ.	Max.	
P_{OUT}	f = 30 MHz	V_{CE} = 50V	I_{CQ} = 150mA	150	---	---	WPEP
G_P	P_{OUT} = 150WPEP	V_{CE} = 50V	I_{CQ} = 150mA	14	---	---	dB
IMD	P_{OUT} = 150WPEP	V_{CE} = 50V	I_{CQ} = 150mA	---	---	-30	dBc
η_C	P_{OUT} = 150WPEP	V_{CE} = 50V	I_{CQ} = 150mA	37	---	---	%
C_{OB}	f = 1 MHz	V_{CB} = 50 V		---	---	220	pF

Conditions: **f₁ = 30.000MHz** **f₂ = 30.001MHz**

TYPICAL PERFORMANCE



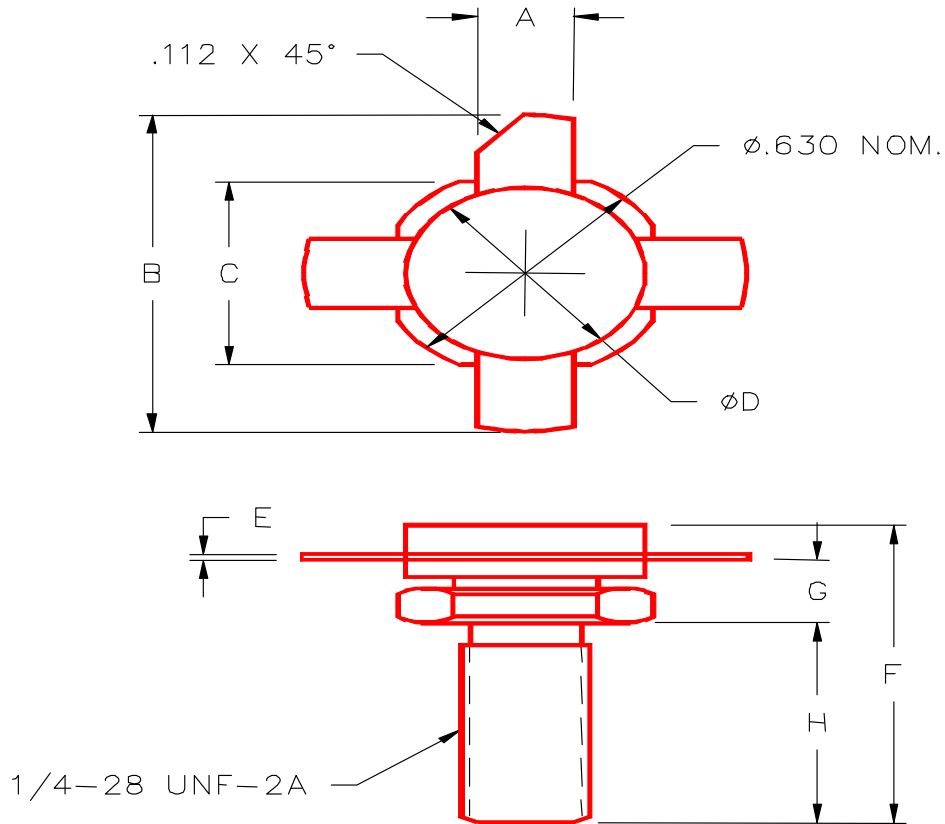
TYPICAL PERFORMANCE



MS1008

PACKAGE MECHANICAL DATA

PACKAGE STYLE M164



	MINIMUM INCHES/MM	MAXIMUM INCHES/MM		MINIMUM INCHES/MM	MAXIMUM INCHES/MM
A	.220/5,59	.230/5,84			
B		1.050/26,67			
C	.545/13,84	.555/14,10			
D	.495/12,57	.505/12,83			
E	.003/0,08	.007/0,18			
F		.810/20,57			
G	.185/4,70	.198/5,03			
H	.497/12,62	.530/13,46			