

4

3

2

1

THIS DRAWING IS UNPUBLISHED.

RELEASED FOR PUBLICATION

20

© COPYRIGHT 20 BY -

ALL RIGHTS RESERVED.

REVISIONS

P	LTR	DESCRIPTION	DATE	DWN	APVD
	A	RELEASED	14AUG2013	IC.K	JH.K
	B	REVISED	28OCT2013	IC.K	JH.K
	C	REVISED	30OCT2013	IC.K	JH.K
	D	REVISED	12NOV2013	IC.K	JH.K

∅ 0.8 REF  
PICK UP AREA

2.05 REF  
(PICK UP AREA)

AS SHOWN 2108693-4

STROKE CONDITION (REFERENCE)

RECOMMENDED PCB LAYOUT  
(REFERENCE)

1 MATERIAL: COPPER ALLOY, THK.=0.08mm  
 2 FINISH: Ni UNDER PLATING ALL OVER 0.8~3.0um.  
 CONTACT PLATING: Au 0.1~0.4um  
 SOLDER PLATING: Au FLASH 0.05~0.35um  
 3. CUTTING BURR: 0.05mm MAX.

THIS DRAWING IS A CONTROLLED DOCUMENT.

DWN IC KANG 14AUG2013

CHK JH KIM 14AUG2013

APVD JH KIM 14AUG2013

PRODUCT SPEC

108-61201

APPLICATION SPEC

WEIGHT 0.0047

CUSTOMER DRAWING

TE Connectivity

NAME  
SPRING FINGER 1.1H

SIZE	CAGE CODE	DRAWING NO	RESTRICTED TO
------	-----------	------------	---------------

A3	00779	C=2108693	-
----	-------	-----------	---

SCALE	SHEET	OF	REV
20:1	1	2	D

DIMENSIONS:

mm

TOLERANCES UNLESS  
OTHERWISE SPECIFIED:

± 0.15

0-PLC	±
1-PLC	±0.5
2-PLC	±0.13
3-PLC	±0.013
4-PLC	±0.0001
ANGLES	±

MATERIAL

1

FINISH

2

1470-19 (3/13)

4

3

2

1

THIS DRAWING IS UNPUBLISHED.

RELEASED FOR PUBLICATION

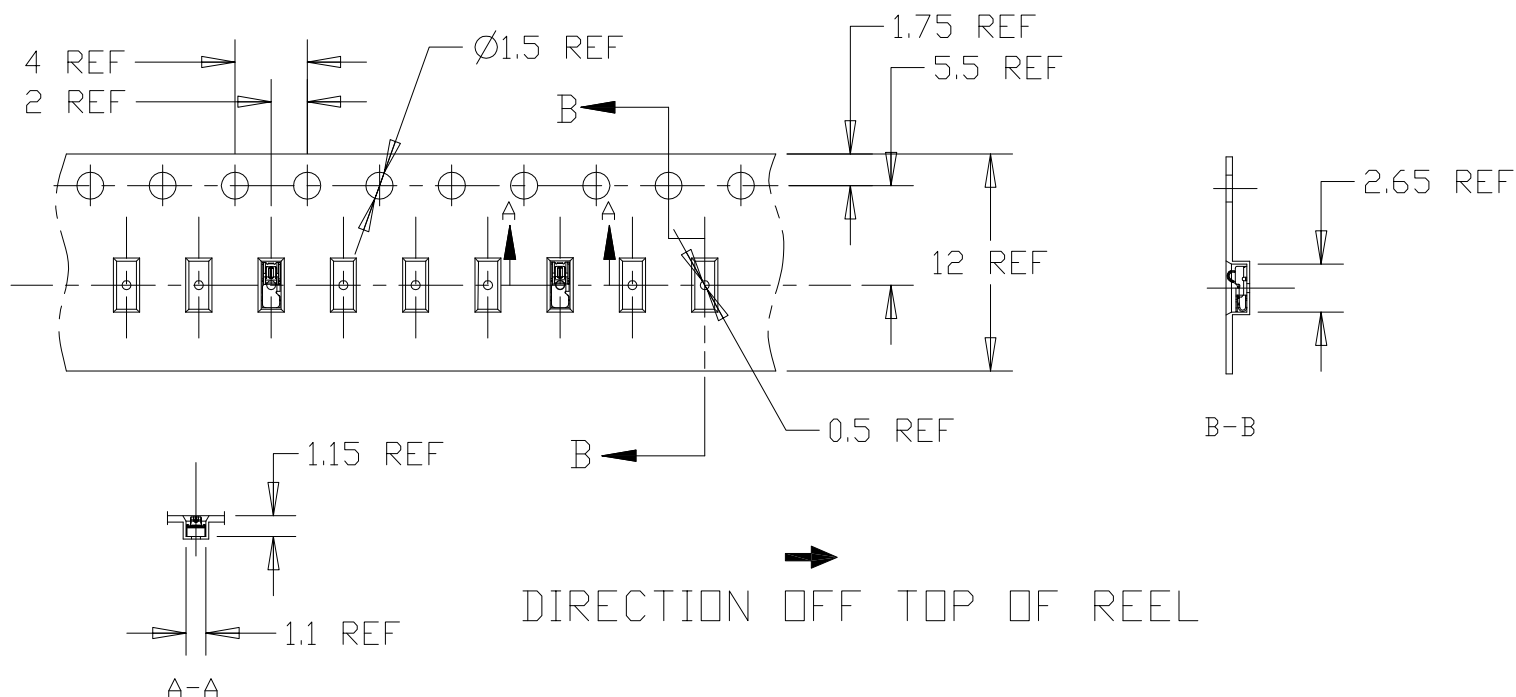
20

© COPYRIGHT 20 BY -

ALL RIGHTS RESERVED.

REVISIONS

P	LTR	DESCRIPTION	DATE	DWN	APVD
		SEE SHEET 1			



**TE**

EAG63730501-YYYYMMDD-\*\*\*\*\*-HK000120  
 SPEC: 1.1H SPRING FINGER WITH EMBOSS  
 Company Name: TE CONNECTIVITY  
 Tyco Part Number :2108693-4

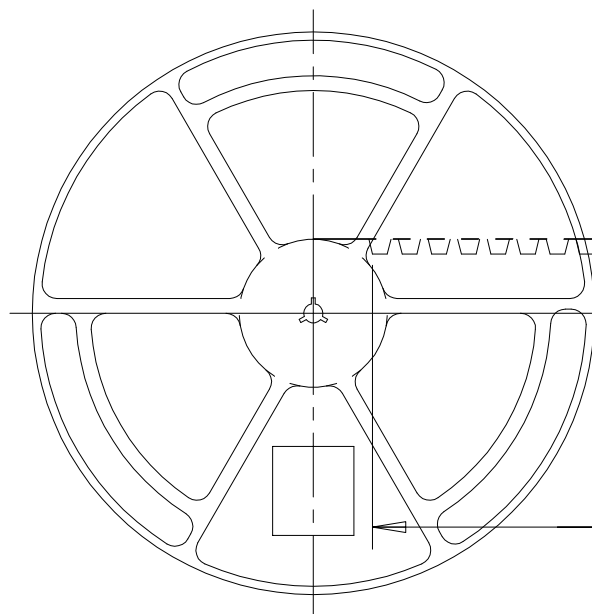
**RoHS H/F**

FMT2C030

- 1. LG PART NO.
- 2. FINAL INSPECTION(YYYMMDD)
- 3. VENDOR PRODUCTION LOT NO.
- 4. VENDOR CODE

Ø100 REF  
FLANGE CORE DIA.

Ø330 REF  
REEL DIA.



WEEDING THE COVER TAPE AROUND THE OUTER PERIPHERY IN A TURN.

165°~180°  
PEELING ANGLE  
0.1~1.0 N  
PEELING FORCE

WITH PRODUCT CHARGE  
9000/1REEL

WITHOUT CHARGE  
400mm REF.

160mm REF  
WITHOUT CHARGE

13.4 REF  
19.4 REF  
REEL WIDTH

THIS DRAWING IS A CONTROLLED DOCUMENT.

DIMENSIONS: mm	TOLERANCES UNLESS OTHERWISE SPECIFIED: ±0.15
	0-PLC ±
	1-PLC ±0.5
	2-PLC ±0.13
	3-PLC ±0.013
	4-PLC ±0.0001
	ANGLES ±
MATERIAL -	FINISH -

DWN	IC KANG	14AUG2013
CHK	JH KIM	14AUG2013
APVD	JH KIM	14AUG2013
PRODUCT SPEC	108-XXXXX	
APPLICATION SPEC	-	
WEIGHT	-	
CUSTOMER DRAWING		

**TE** TE Connectivity

SPRING FINGER 1.1H

NAME	SIZE	CAGE CODE	DRAWING NO	RESTRICTED TO
	A3	00779	C=2108693	-
SCALE		SHEET		REV
20:1		2 OF 2		D