

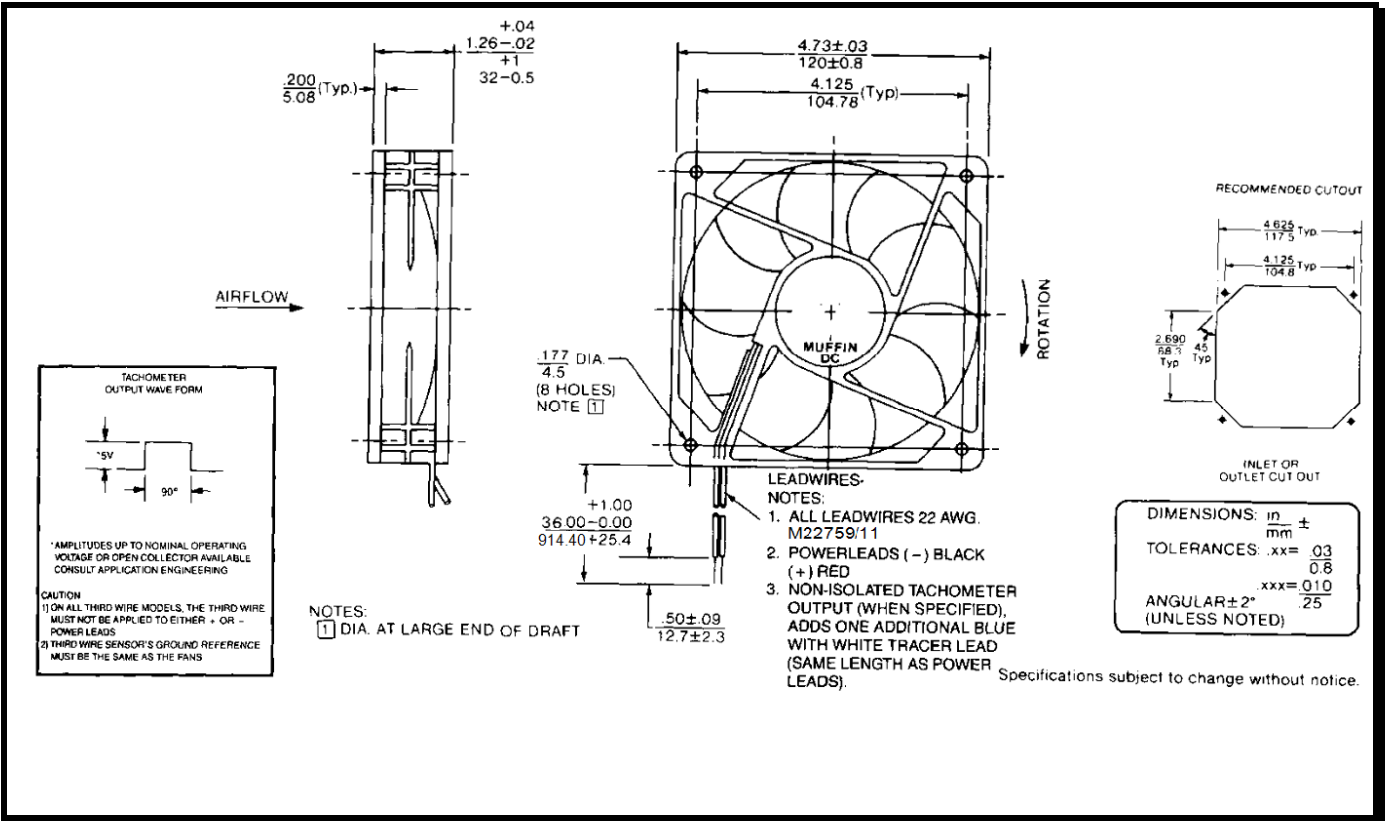
# SPECIFICATIONS



**Model Number:** MC24B3NDN  
**Part Number:** 040433  
**SPEC Number:** 26008994A Rev:03

Feb 15, 2011

## Mechanical Drawing:



### Motor:

Nominal Voltage	= 24 vdc
Operating Voltage Range	= 12- 28 vdc
Nominal Running Current	= 0.230 amps
Locked Rotor Current	= 0.830 amps
Running Power	= 5.5 watts
Average Speed	= 3700 RPM
Bearings	= Ball
Air Flow	= 102 cfm
Acoustic	= 47.8 dBA

### Construction:

Venturi: Plastic, Black, UL 94V-0  
 Propeller: Plastic, Black, UL 94V-0

### Life Expectancy:

This fan is designed for continuous duty life of 78,000 hours at 40°C.

### Agency Approvals:

UL

### Additional Features:

Brushless DC Motor  
 Polarity Protected.  
 Locked Rotor Protection.  
 Automatic Restart Capability  
 Operating Temperature: -10°C to 70°C  
 Storage Temperature: -40°C to 85°C

### Fan Performance Sensor (FPS)

Output	Open Collector
I <sub>c</sub>	20 mA max
V <sub>ce</sub>	28 vdc max
Isolated	No
Logic Level	Low on Pass, High on Fail
Delay	10 +/- 4 seconds
Latch	None
Trip point	1900 +/- 300 RPM

### Termination:

36" Lead wires, 22 AWG, M22759/11  
 Red - Power (+)  
 Black - Return (-)  
 Blue - FPS