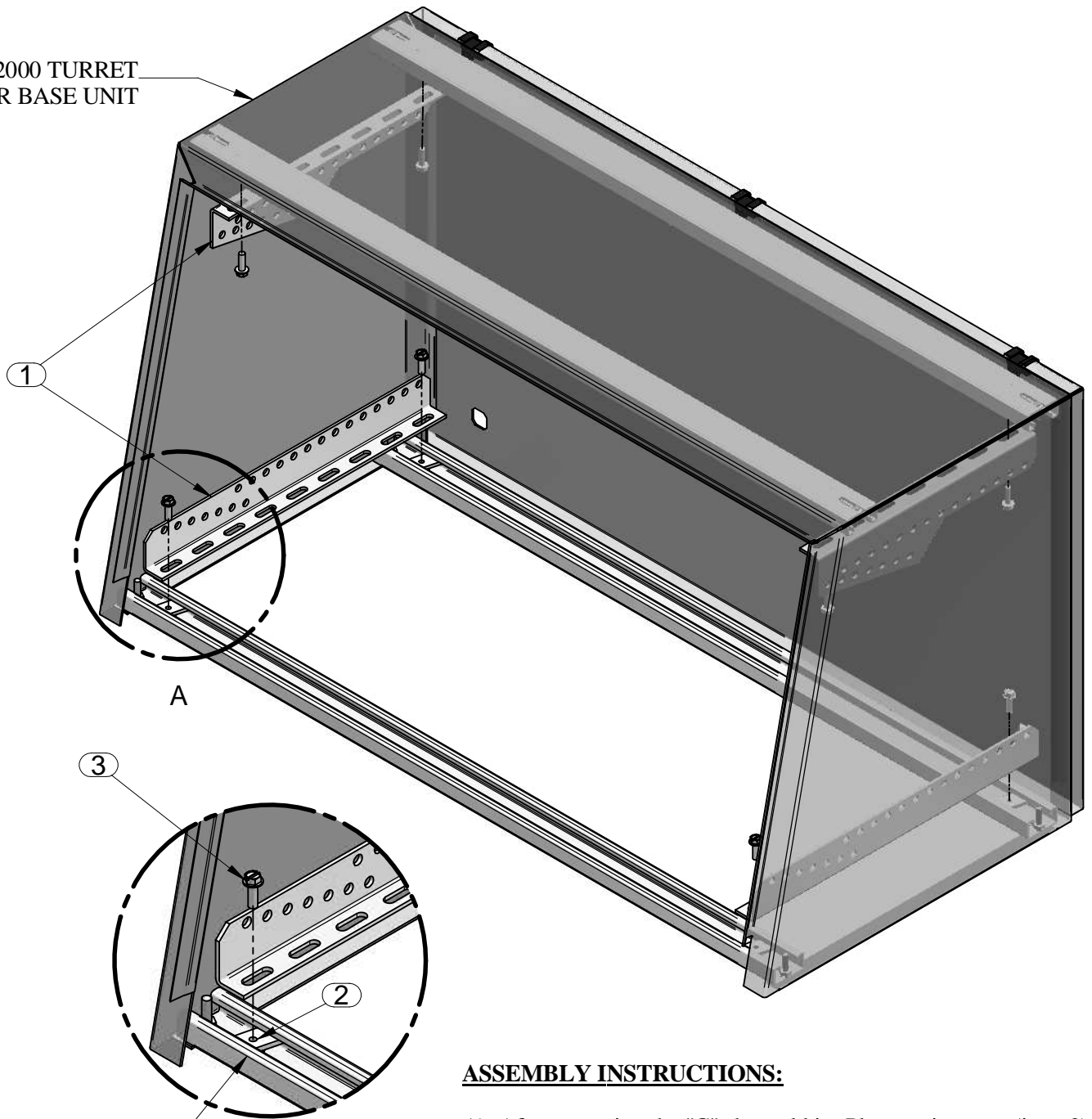


SERIES 2000 TURRET  
OR BASE UNIT



"C" CHANNEL MTG KIT  
2CMC\_ DETAIL A

### ASSEMBLY INSTRUCTIONS:

- A) After mounting the "C" channel kit. Place spring nuts (item 2) in the "C" channel and locate as shown in detail A.
- B) Place rail support (item 1) on "C" channel and locate to suit application. Slide spring nut into position and using 1/4-20 hex screw (item 3) tighten down securely. Assembly is typical top and bottom.

### PARTS LIST

ITEM No.	DESCRIPTION	QTY
1	RAIL SUPPORTS	4
2	1/4-20 STRUT NUT (SPRING)	8
3	1/4-20 X 3/4 HEX SCREW	8

TOOL BOX



3/8, 7/16" Socket  
Wrench



**HAMMOND**  
**MANUFACTURING™**  
ELECTRONICS GROUP

visit our website @ [www.hammondmfg.com](http://www.hammondmfg.com)