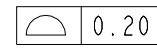
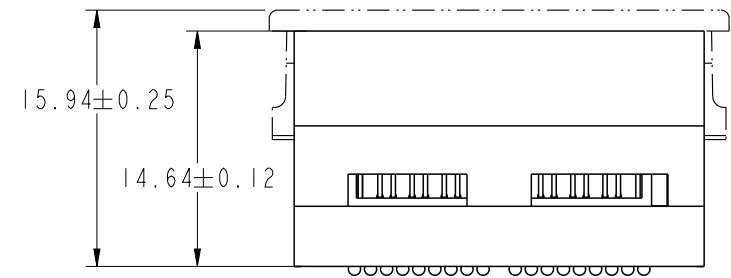
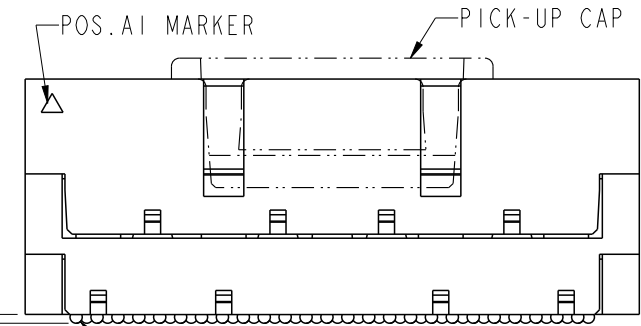
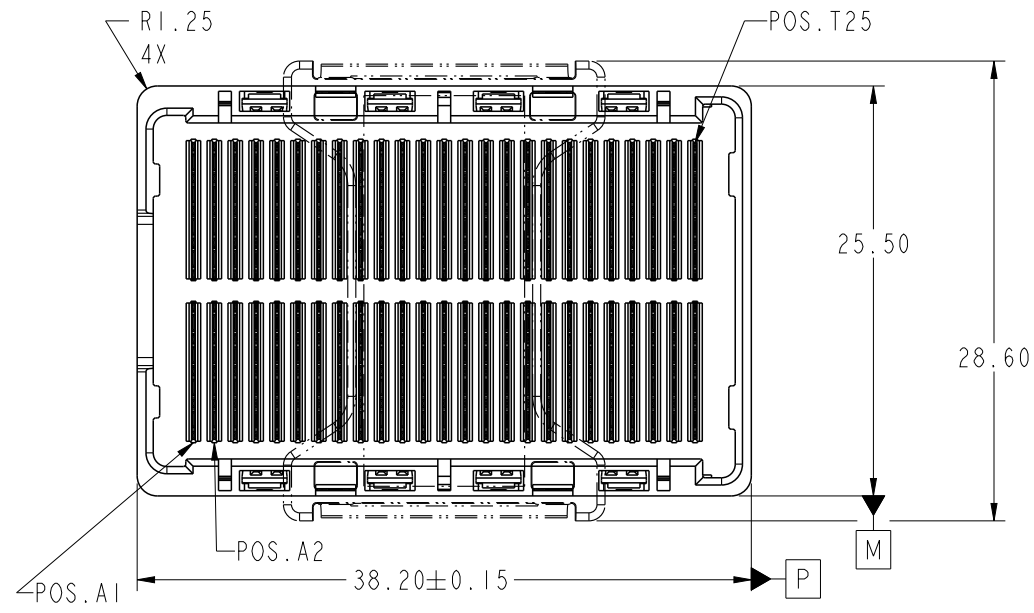
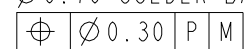


rev	ecn no	dr	date
A	V06-0240	DAI	2006-03-20
B	V06-0558	LP	2006-06-12
C	V08-0329	SM	2008-11-15



(0.55)

Ø0.76 SOLDER BALLS
 450X
 SEE NOTE 2



spec ref	-			dr	Bill Lin	2010/02/02	projection 	MM 	size	A4	scale	1:1
tolerance std	ASME Y14.5			eng	Nickor Zuo	2011/05/26			ecn no	ELX-DG-003943-1		
tolerance	TOLERANCES UNLESS OTHERWISE SPECIFIED			chr	Alex Cao	2011/06/24			product family	GIG-Array		
surface	✓	linear	0.X	±0.30	FCI	www.fci.com	title	GIG-Array	dwg no	55738	rev	D
		linear	0.XX	±0.10								
		linear	0.XXX	±0.05								
		angular	0°	±2°								
				cat. no.	Product - Customer Drw				sheet 1 of 5			

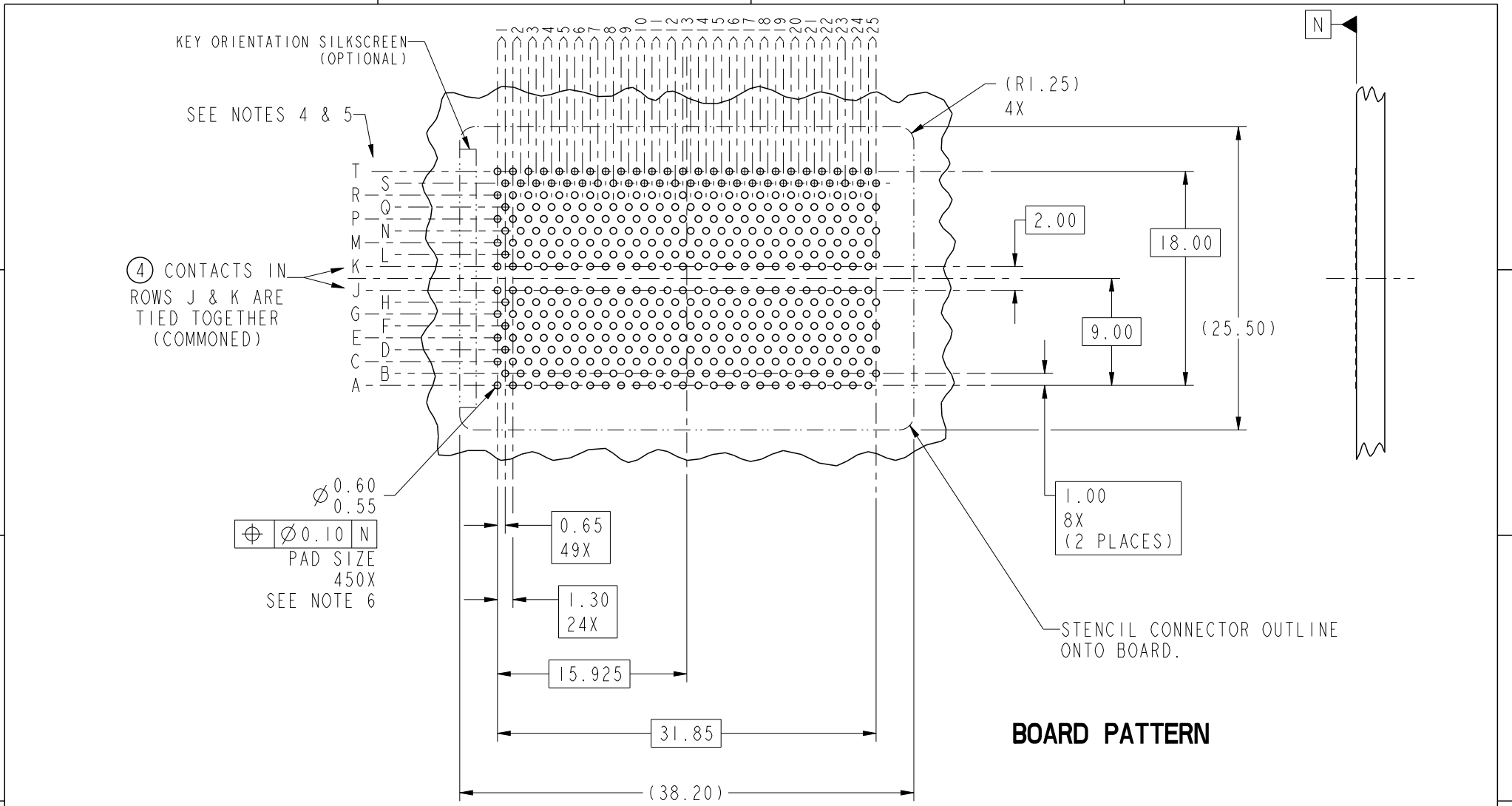
ProjE File - REV C - 2009-06-09



Copyright FCI.



Copyright FCI.



BOARD PATTERN

spec ref		-		dr	Bill Lin	2010/02/02	projection 	MM 	size	A4	scale	1:1
tolerance std		ASME Y14.5		eng	Nickor Zuo	2011/05/26			ecn no	ELX-DG-003943-1		
TOLERANCES UNLESS OTHERWISE SPECIFIED				chr	Alex Cao	2011/06/24			rel level	Released		
surface		✓		appr	Pei-Ming Zheng	2011/06/27	product family		GIG-Array		rev	D
		linear		FCI		title		GIG-Array		dwg no		55738
		0.X		±0.30		15mm PLUG ASSY. 200 SIG. POS.						
		0.XX		±0.10		www.fci.com		cat. no.		Product - Customer Drw		sheet 2 of 5
		0.XXX		±0.05								
		angular		0°								
		±2°										

PreE File - REV C - 2009-06-09

1

2

3

4

A

B

C

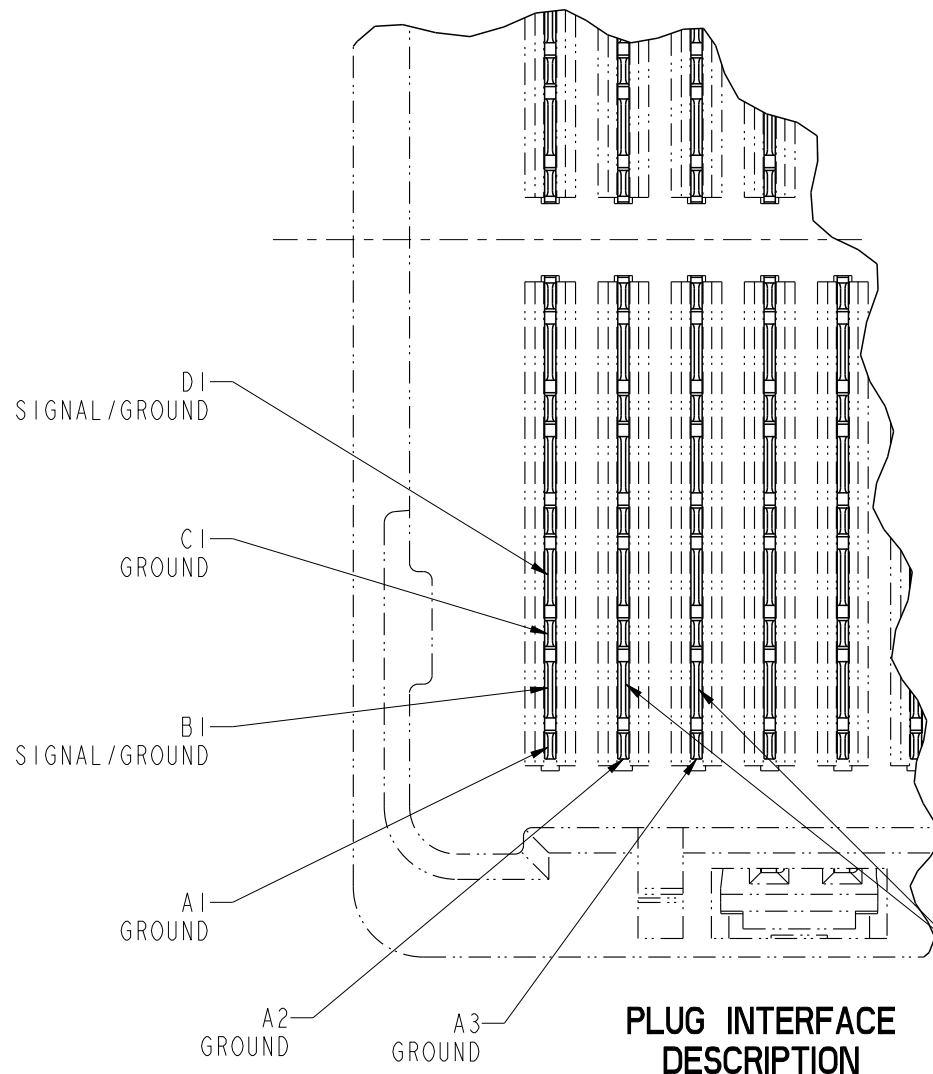
D

A

B

C

D



PLUG INTERFACE DESCRIPTION

spec ref	-			dr	Bill Lin	2010/02/02	projection 	MM ←————→	size	A4	scale	1:1
tolerance std	ASME Y14.5			eng	Nickor Zuo	2011/05/26			ecn no	ELX-DG-003943-1		
surface	✓			chr	Alex Cao	2011/06/24			product family	GIG-Array		
	linear	0.X	±0.30	appr	Pei-Ming Zheng	2011/06/27	rel level	Released				
		0.XX	±0.10		FCI	GIG-Array	title	15mm PLUG ASSY. 200 SIG. POS.	dwg no	55738	rev	D
		0.XXX	±0.05									
	angular	0°	±2°	www.fci.com	cat. no.	Product - Customer Drw			sheet 3 of 5			



Copyright FCI.

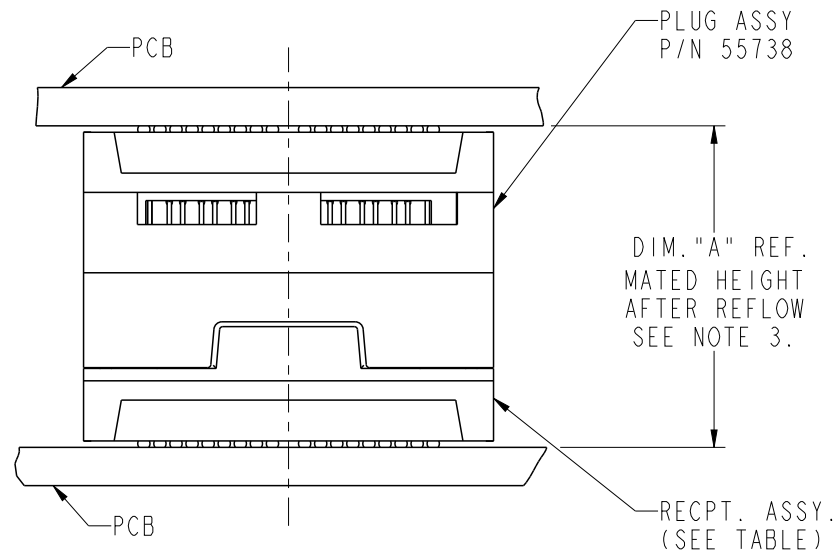
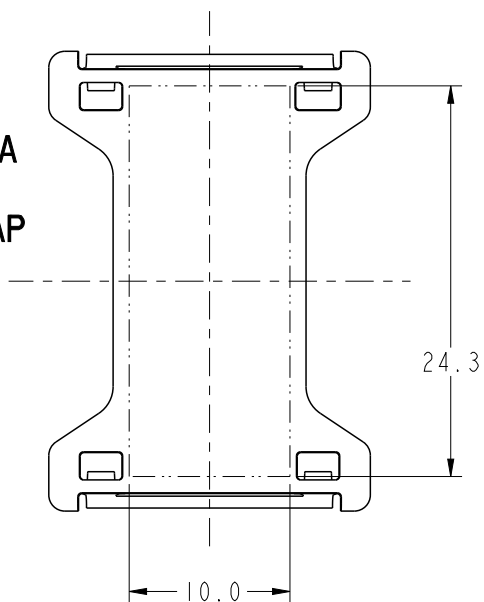
PreE File - REV C - 2009-06-09

2

3

4

FLAT AREA
FOR
PICK-UP CAP



END VIEW OF MATED CONNECTORS

DIM. "A"	RECPT. ASSY. P/N
20	55740
25	10026010
30	55741



Copyright FCI.

spec ref		-		dr	Bill Lin	2010/02/02	projection 	MM ←→	size	A4	scale	1:1	
tolerance std	ASME Y14.5	TOLERANCES UNLESS OTHERWISE SPECIFIED		eng	Nickor Zuo	2011/05/26			ecn no	ELX-DG-003943-1			
				chr	Alex Cao	2011/06/24							
-		-		appr	Pei-Ming Zheng	2011/06/27	product family	GIG-Array		rel level	Released		
surface	✓	linear	0.X	±0.30		title	GIG-Array		dwg no	55738		rev	D
			0.XX	±0.10									
-	angular	0°	±2°										
-		-		www.fci.com	cat. no.	Product - Customer Drw			sheet 4 of 5				

PRODUCT NUMBER	SOLDER BALL COMPOSITION	CONTACT PLATING PERFORMANCE LEVEL
55738-001	STANDARD (EUTECTIC)	PERFORMANCE-BASED PLATING, QUALIFIED TO MEET THE REQUIREMENTS OF FCI PRODUCT SPECIFICATION GS-12-192, INCLUDING TELCORDIA CENTRAL OFFICE
55738-001LF	LEADFREE	

NOTES:

1. MAT'L:
HOUSING: LCP
CONTACT: COPPER ALLOY
PLATING (CONTACT): Au OVER Ni.
UL RATING: 94 V-0
SOLDER BALL: (SEE TABLE) EUTECTIC SnPb OR LEAD FREE 95.5 Sn/4Ag/0.5Cu.
2. SOLDER BALLS WILL NOT BE PERFECT SPHERICAL SHAPE DUE TO REFLOW ATTACHMENT.
3. MATED HEIGHT EFFECTED BY CUSTOMERS' PCB PAD SIZE, PLATING, SOLDER REFLOW PROFILE & SOLDER PASTE.
4. CONTACTS IN ROWS A,C,E,G,J,K,M,P,R AND T ARE SINGLE BEAM CONTACTS, TYPICALLY USED AS GROUND PINS. (NOTE: CONTACTS IN ROWS J & K ARE TIED TOGETHER [COMMONED])
5. CONTACTS IN ROWS B,D,F,H,L,N,Q AND S ARE DUAL BEAM CONTACTS, TYPICALLY USED AS SIGNAL PINS.
6. SPECIFIED POSITIONAL TOLERANCE DEFINES PAD TO PAD LOCATION WITHIN LAND PATTERN. POSITIONAL TOLERANCE OF LAND PATTERN TO FUDICIAL MARKS OR PCB DATUMS SHALL BE DEFINED BY CUSTOMER. FOR RECOMMENDED PRODUCT APPLICATION AND PCB DESIGN DETAILS, SEE DOC. NO. GS-20-016.
7. FOR PROPER APPLICATION FOLLOW FCI APPLICATION SPECIFICATION GS-20-033. LEAD FREE SOLDER BALLS WILL NOT SOLDER PROPERLY IN A LEADED SOLDER PROCESS DUE TO A HIGHER REFLOW TEMPERATURE. LEADFREE PRODUCT IS THEREFORE NOT BACKWARDS COMPATIBLE WITH LEADED OR SOME SOLDERING APPLICATIONS. REFERENCE FCI APPLICATION SPECIFICATION.
8. THIS PRODUCT MEETS THE EUROPEAN UNION DIRECTIVES AND OTHER COUNTRY REGULATIONS AS DESCRIBED IN GS-22-008. PRODUCT MEETING THIS DIRECTIVE IS IDENTIFIED IN THE CODE NUMBER MARKED ON EACH PART BY HAVING AN "X" IN THE SEVENTH CHARACTER POSTION.

spec ref	-	dr	Bill Lin	2010/02/02	projection		size	A4	scale	1:1				
tolerance std	TOLERANCES UNLESS OTHERWISE SPECIFIED	eng	Nickor Zuo	2011/05/26		MM	ecn no	ELX-DG-003943-1						
ASME Y14.5		chr	Alex Cao	2011/06/24				product family	GIG-Array	rel level	Released			
-		appr	Pei-Ming Zheng	2011/06/27							title	GIG-Array	dwg no	55738
surface	linear	0.X	±0.30		cat. no.	Product - Customer Drw	sheet 5 of 5							
-	angular	0.XX	±0.10					www.fci.com	15mm PLUG ASSY. 200 SIG. POS.	Product - Customer Drw	sheet 5 of 5			
		0.XXX	±0.05											
		0°	±2°											