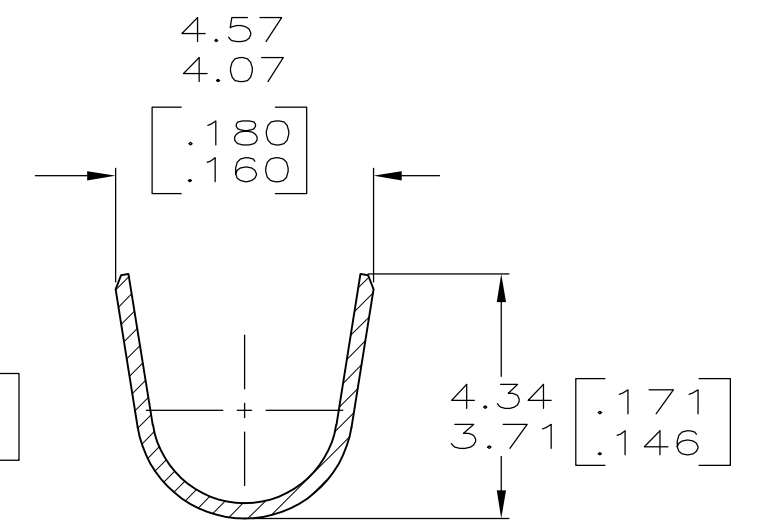
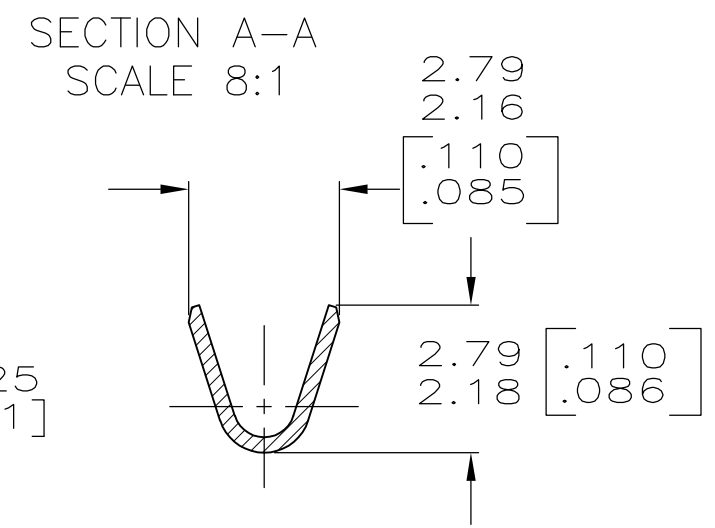
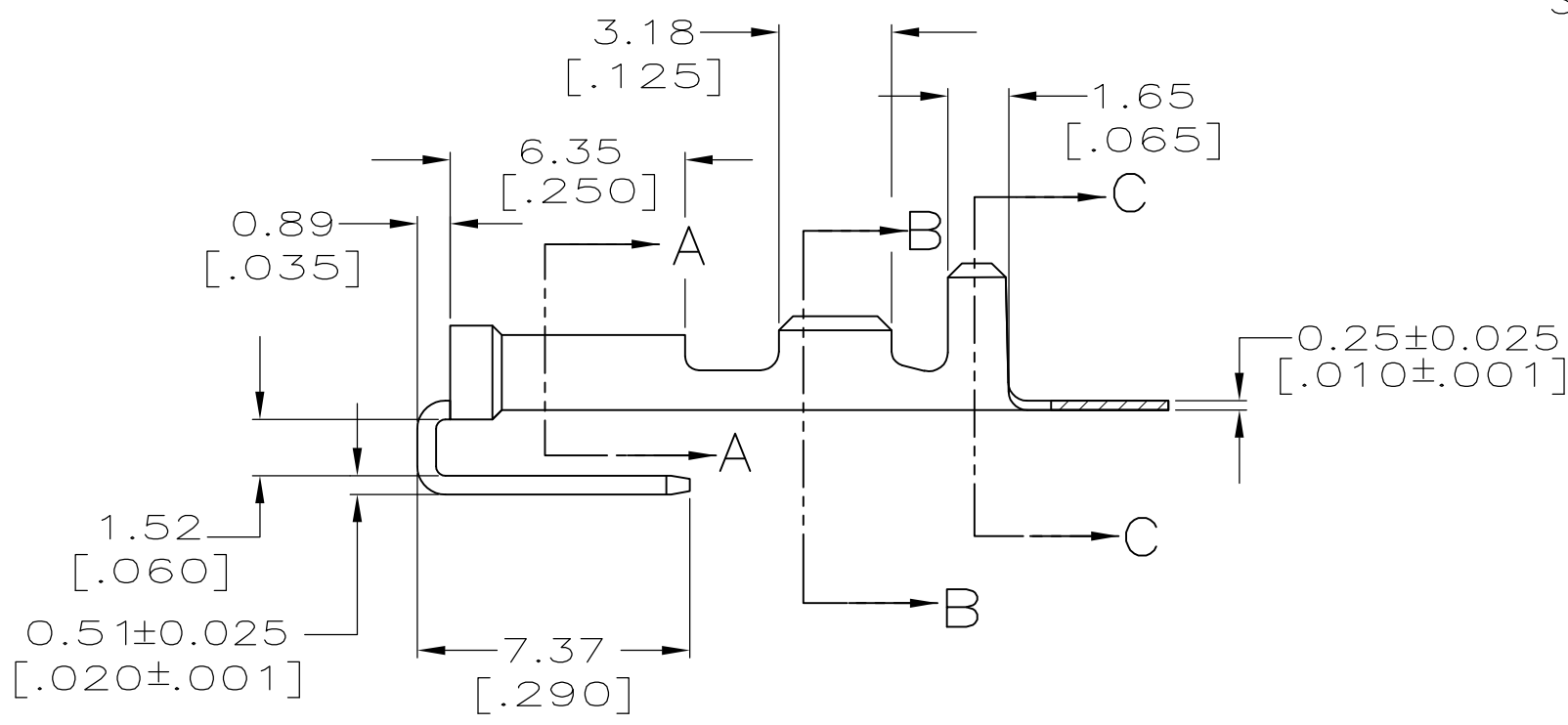
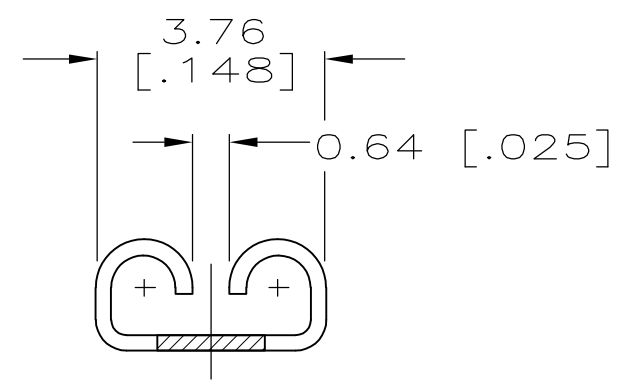
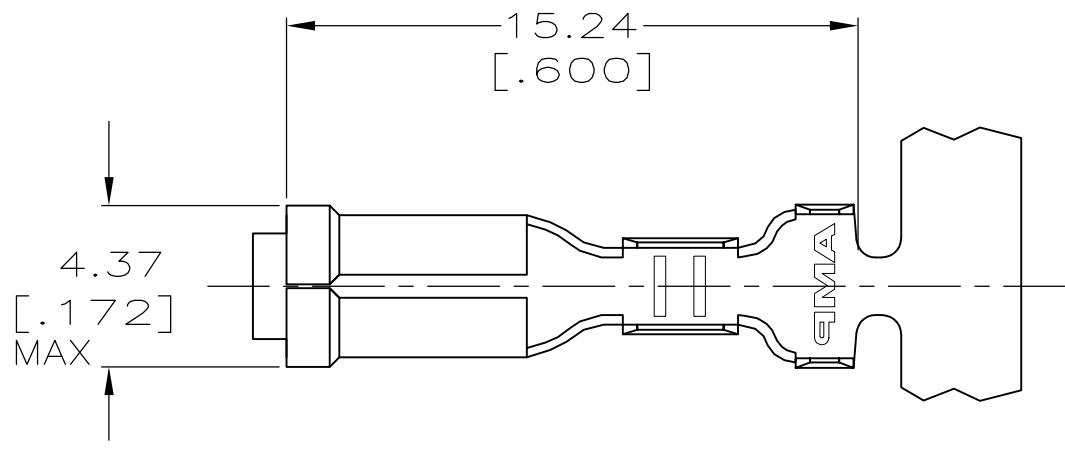


THIS DRAWING IS UNPUBLISHED. RELEASED FOR PUBLICATION
 © COPYRIGHT - By - ALL RIGHTS RESERVED.

LOC	DIST	REVISIONS			
P	LTR	DESCRIPTION	DATE	DWN	APVD
AF	50				
	D	REVISED PER ECR-12-013518	24NOV12	KH	PD

- 1 CONTINUOUS STRIP ON REELS.
- 2 FIRST INSERTION 10 LBS MAX.
FIRST EXTRACTION 2 LBS MIN.
USE TEST TAB 62061-2



2.03-3.05 DIA [.080-.120] DIA	[#22-#18] AWG	0.81±0.025 [.032±.001]	63961-1
INSULATION RANGE	WIRE SIZE	MATING TAB THICKNESS	PART NO

THIS DRAWING IS A CONTROLLED DOCUMENT.		DWN JR RUTH 3/4/97	STE TE Connectivity		
DIMENSIONS: mm [INCHES]		CHK MS FEHER 3/4/97			
TOLERANCES UNLESS OTHERWISE SPECIFIED:		APVD P DESANTIS 3/4/97	NAME RECEPTACLE, FASTON™ PIGGYBACK, 2.79 [.110] SERIES		
0 PLC ± -		PRODUCT SPEC	SIZE		
1 PLC ± -		APPLICATION SPEC	CAGE CODE		
2 PLC ± 0.25 [.010]		114-2082	DRAWING NO		
3 PLC ± -		WEIGHT	RESTRICTED TO		
4 PLC ± -		-	A300779 C-63961		
ANGLES ± -		CUSTOMER DRAWING	SCALE	SHEET	REV
FINISH			5:1	1 OF 1	D
MATERIAL BRASS		FINISH TIN			