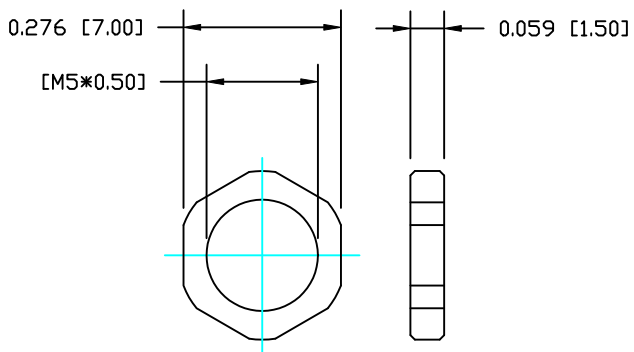
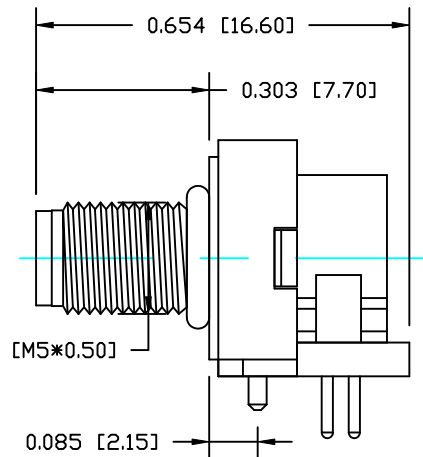
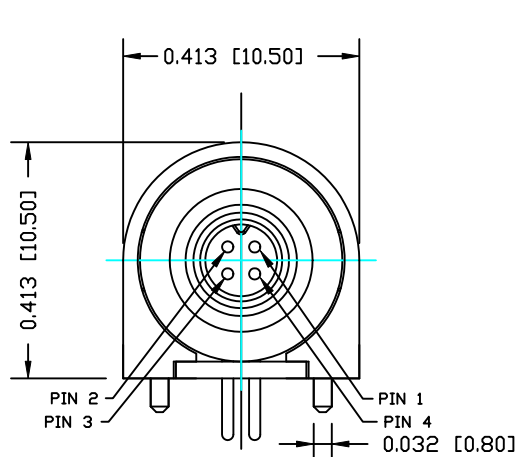
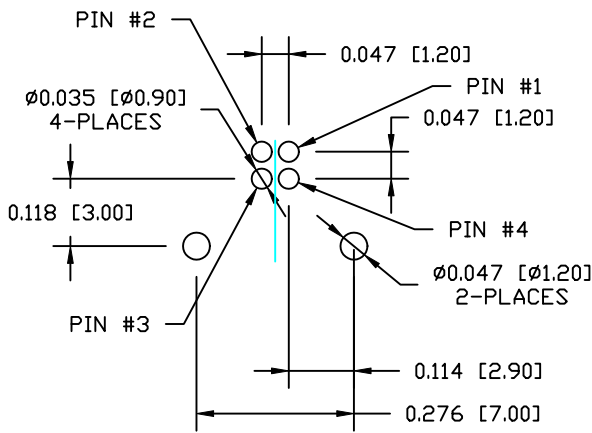


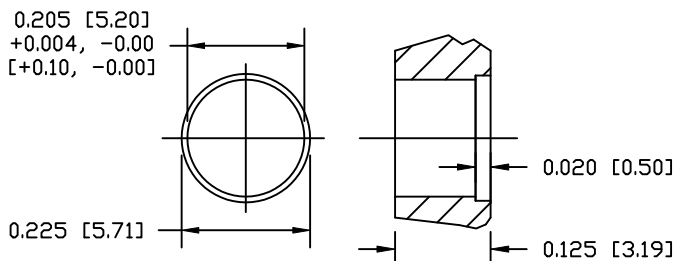
DESCRIPTION: M5 MALE - RIGHT ANGLE - 4 POSITION



NUT



P.C.B LAYOUT



PANEL CUT-OUT  
MAX. PANEL THICKNESS : 0.125 [3.17]

NOTE:

MATERIAL

HOUSING: PBT UL94V-0, BLACK  
 CONTACT: BRASS  
 NUT: BRASS  
 O-RING: NBR, BLACK  
 BACK HOUSING: PBT UL94V-0, BLACK  
 DOWN HOUSING: PBT UL94V-0, BLACK

FINISH

CONTACT: GOLD PLATED  
 UNDER PLATE: NICKEL  
 SHELL: STAIN NICKEL  
 80 $\mu$  OVER ALL

ELECTRICAL:

RATED CURRENT: 1A  
 RATED VOLTAGE: 60V  
 INSULATION RESISTANCE: 100 mOhms MIN.  
 CONTACT RESISTANCE: 10 MOhms MAX.  
 WATER PROOF: IP67

ENVIRONMENT:

OPERATION TEMPERATURE: -40°C TO +85°C  
 MAX ASSEMBLY TORQUE: 1.5 in lbs

853-004-113R00Y

1 = GOLD FLASH  
 4 = 10 $\mu$ " GOLD

RoHS COMPLIANT

DO NOT SCALE FROM DRAWING



THESE DRAWINGS AND SPECIFICATIONS ARE THE PROPERTY OF NorComp AND SHALL NOT BE REPRODUCED, COPIED OR USED AS THE BASIS FOR THE MANUFACTURE OR SALE OF APPARATUS WITHOUT WRITTEN PERMISSION.

DRAWN: M. SIGMON  
 CHECKED:

DATE: 03-04-16  
 DATE:

NorComp

SCALE: NTS  
 SHEET 1 OF 1  
 REV 2  
 DWG NO. 853-004-113R00Y