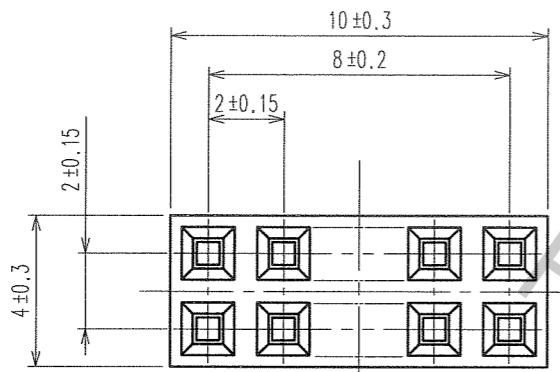
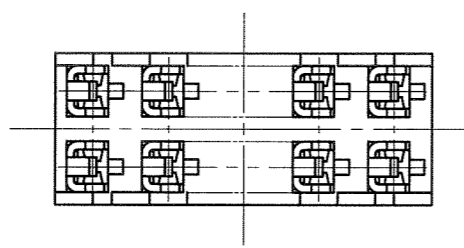
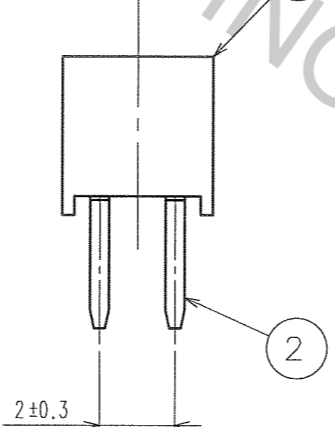
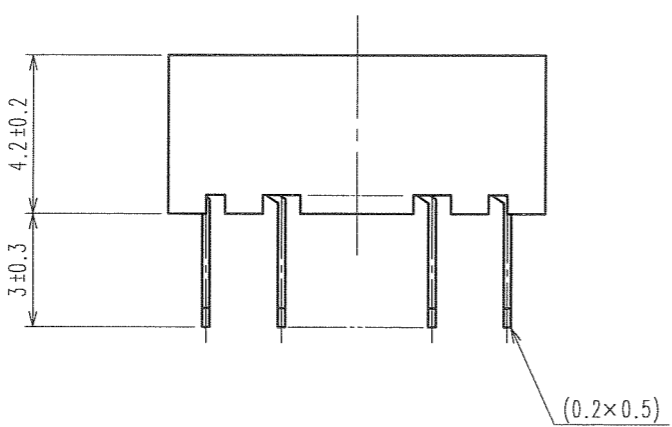
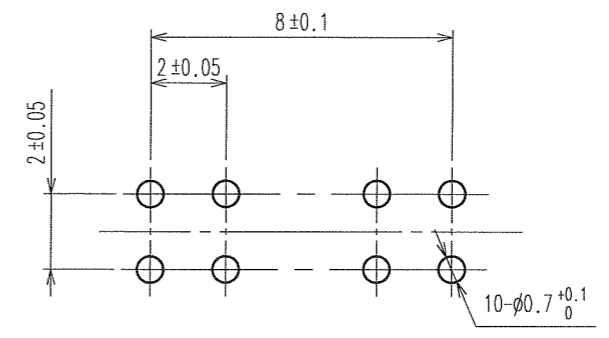


Apr.1.2017 Copyright 2017 HIROSE ELECTRIC CO., LTD. All Rights Reserved.

| COUNT | DESCRIPTION OF REVISIONS | BY | CHKD | DATE | COUNT | DESCRIPTION OF REVISIONS | BY | CHKD | DATE |
|-------|--------------------------|----|------|------|-------|--------------------------|----|------|------|
| △ | | | | .. | △ | | | | .. |
| △ | | | | .. | △ | | | | .. |
| △ | | | | .. | △ | | | | .. |



RECOMMENDED PC BOARD HOLE PATTERN



NOTE 1. THE CONTACT CUT SECTION IS UNPLATED.
2. THE DIMENSIONS IN PARENTHESES ARE FOR REFERENCE.

| | | | | | |
|-------------------------------|----------|---------------------------------|------------------------------------|---------------------------------|--|
| 1 | PBT | BLACK UL94V-0 | 2 | PHOSPHOR BRONZE | CONTACT AREA: GOLD 0.2μ m min. DIP AREA: TIN-PLATING 1μ m min. UNDER PLATING: NICKEL 1μ m min. |
| NO. | MATERIAL | FINISH, REMARKS | NO. | MATERIAL | FINISH, REMARKS |
| CODE NO. (OLD) CL | | DRAWN K.NAKAMURA 06.05.20 | DESIGNED K.NAKAMURA 06.05.20 | CHECKED X. Ozawa 06.05.20 | APPROVED H. Okawa 06.05.20 |
| DRAWING NO. EDC3-081230-21 | | PART NO. A3C-10DA-2DSA(71) | | CODE NO. CL621-0504-4-71 | |
| SCALE 5 : 1 | | UNITS mm | | HRS HIROSE ELECTRIC CO., LTD | |

| |
|----|
| TO |
| |
| |
| |