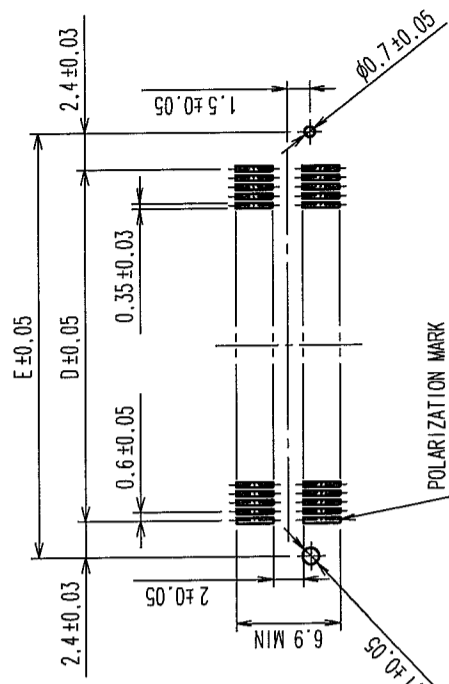


COUNT	DESCRIPTION OF REVISIONS	BY	CHKD	DATE	COUNT	DESCRIPTION OF REVISIONS	BY	CHKD	DATE
3	RE-F-09671	K.N	H.Y	04.04.08					

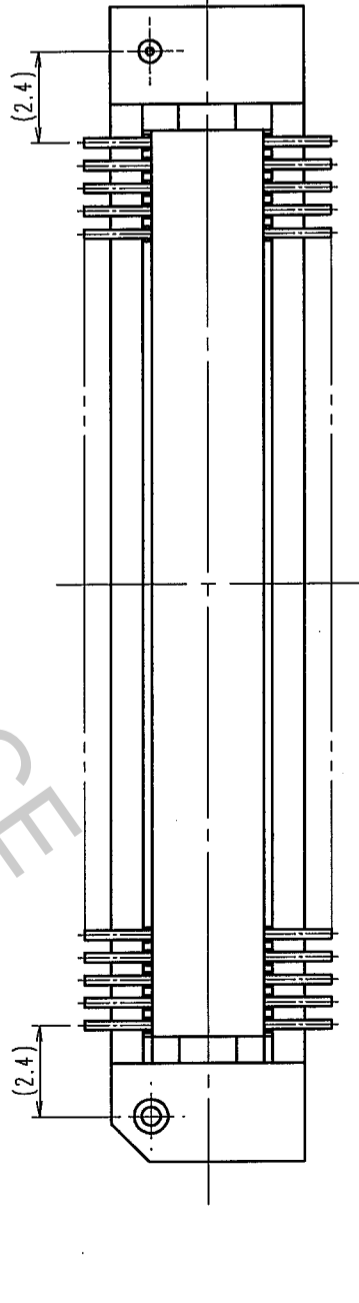
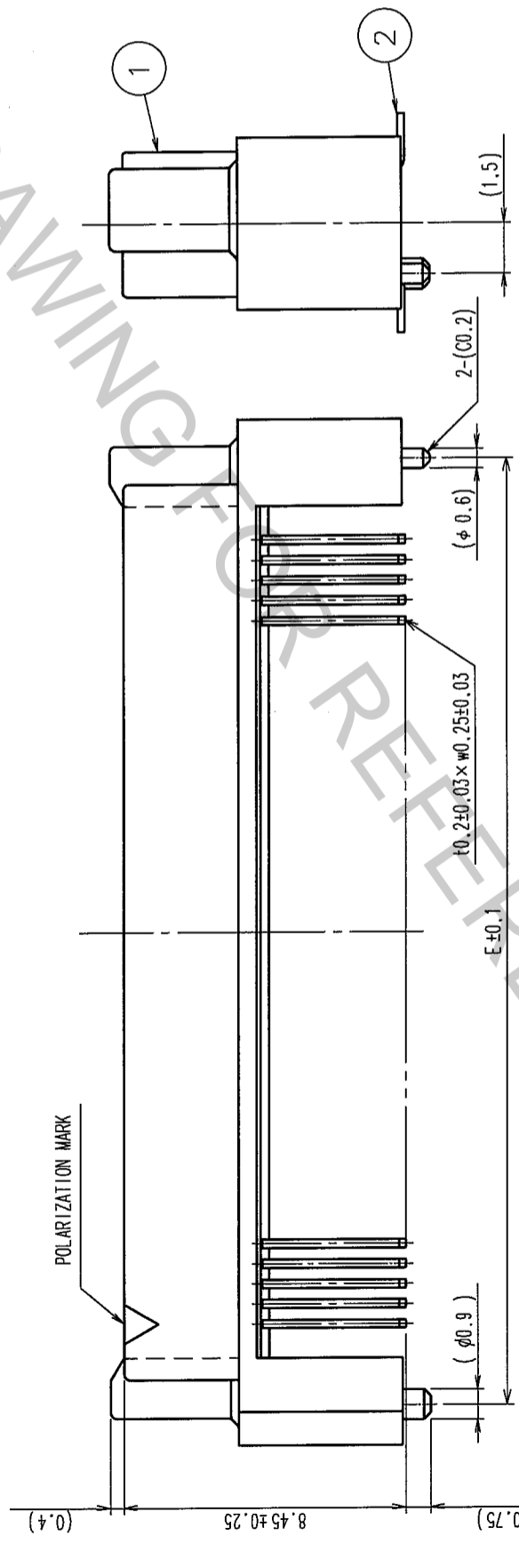
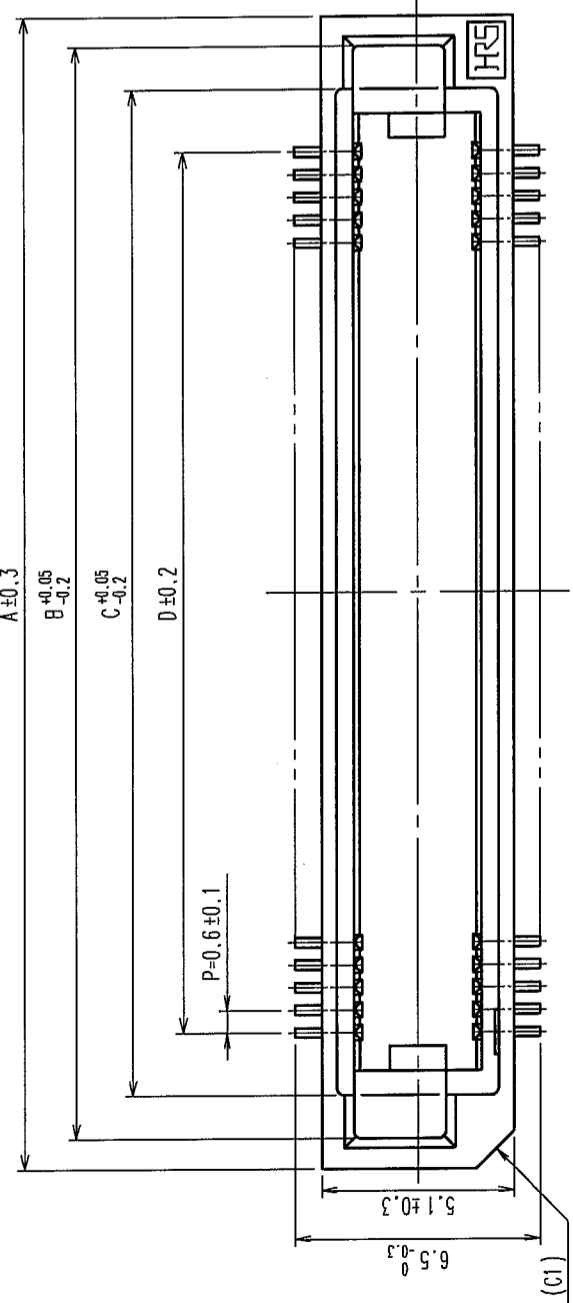
RECOMMENDED LAND PATTERN DIMENSION OF P.C.B. (MOUNTING SIDE)



DIMENSION TABLE OF CONNECTOR AND P.C.B. LAND PATTERN.

PART No.	CODE No.	A	B	C	D	E
FX8C-60P-SV4(92)	CL578-0581-8-92	60	24.60	23.00	20.70	17.40
FX8C-80P-SV4(92)	CL578-0583-3-92	80	30.60	29.00	26.70	23.40
FX8C-100P-SV4(92)	CL578-0585-9-92	100	36.60	35.00	32.70	29.40
FX8C-120P-SV4(92)	CL578-0586-1-92	120	42.60	41.00	38.70	35.40
FX8C-140P-SV4(92)	CL578-0587-4-92	140	48.60	47.00	44.70	41.40

- NOTE 1. LEAD CO-PLANARITY SHALL BE 0.1mm MAX.
 2. EMBOSSED CARRIER TAPE PACKAGING SHALL BE APPLIED FOR THIS PRODUCT. SEE NEXT PAGE FOR DETAILS.
 3. FOR MODIFICATION, ETC., PREVENTIVE HOLE FOR SINK MARK MAY BE ADDED ACCORDING TO CIRCUMSTANCES.
 4. THE DIMENSIONS IN PARENTHESES ARE FOR REFERENCE.
 5. NUMBER OF CONTACTS.



NO.	MATERIAL	FINISH, REMARKS	NO.	MATERIAL	CHECKED	APPROVED	RELEASED
1	PPS	LIGHT BROWN (UL94V-0)	2	PHOSPHOR BRONZE			
CONTACT AREA: GOLD 0.1μm min							
LEAD AREA: TIN-PLATING 1μm min							
UNDER PLATING: NICKEL 1μm min							

NO.	MATERIAL	FINISH, REMARKS	NO.	MATERIAL	DESIGNED	CHECKED	APPROVED	RELEASED
CODE NO. (OLD) CL								
DRAWN S. SUZUKI								
03.02.04								

DRAWING NO.	PART NO.
EDC3-151089-22	FX8C-**P-SV4(92)

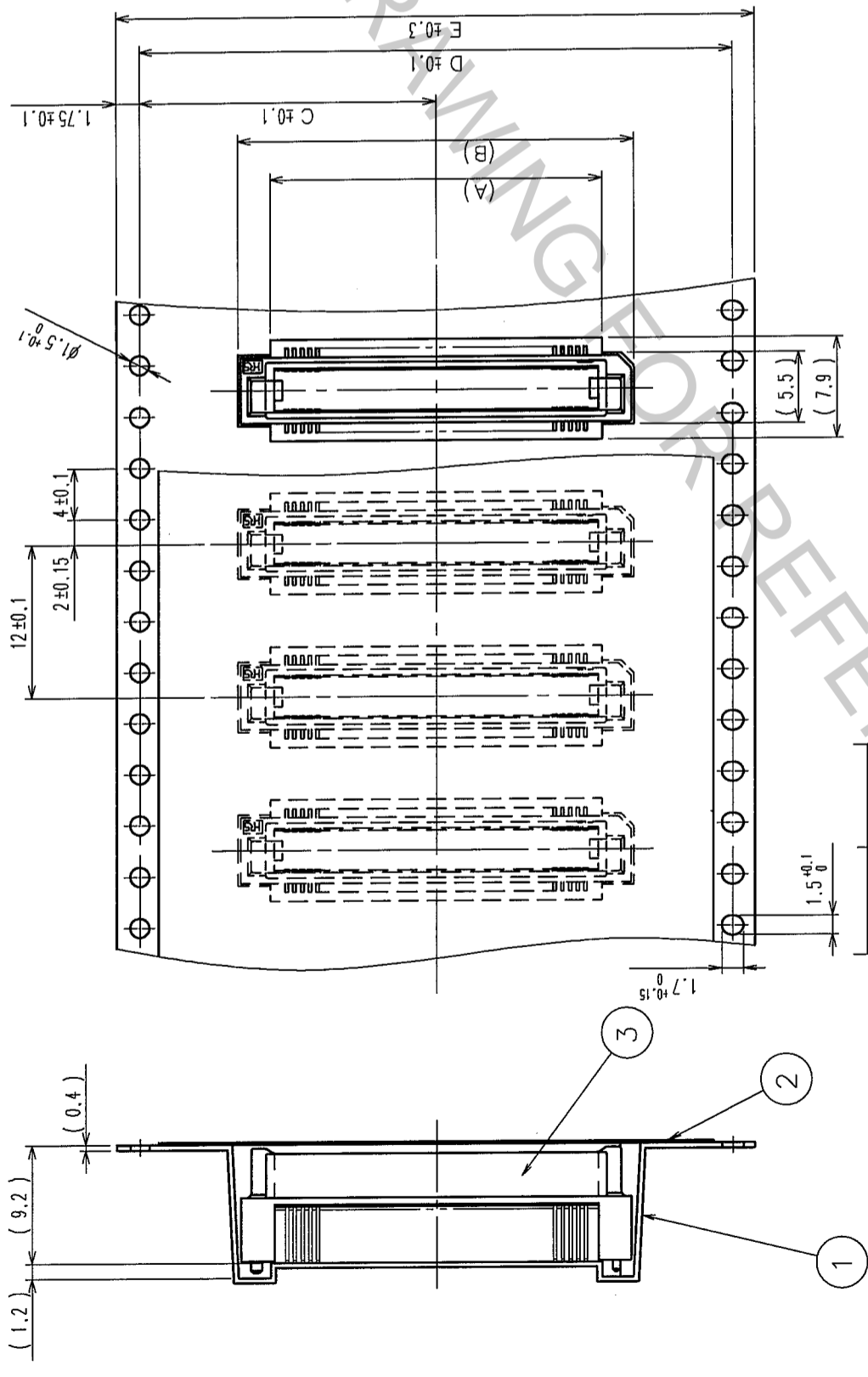
SCALE	UNITS	CODE NO.
FREE	mm	CL578

TO
PCK

COUNT	DESCRIPTION OF REVISIONS	BY	CHKD	DATE	COUNT	DESCRIPTION OF REVISIONS	BY	CHKD	DATE
△					△				
△					△				
△					△				

UNREELING DIRECTION
↑

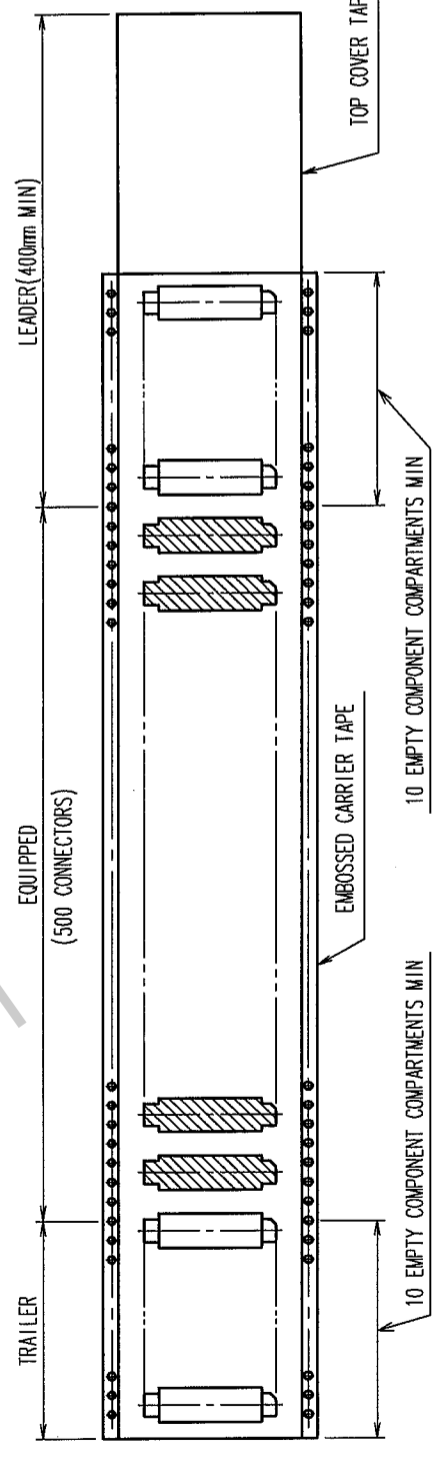
REEL DIMENSION



△ DIMENSION TABLE OF EMBOSSED CARRIER TAPE AND REEL.

PART No.	CODE No.	②	A	B	C	D	E	F
FX8C-60P-SV4(92)	CL578-0581-8-92	60	20	25	20.2	40.4	44	44.4
FX8C-80P-SV4(92)	CL578-0583-3-92	80	26	31	20.2	40.4	44	44.4
FX8C-100P-SV4(92)	CL578-0585-9-92	100	32	37	26.2	52.4	56	56.4
FX8C-120P-SV4(92)	CL578-0586-1-92	120	38	43	26.2	52.4	56	56.4
FX8C-140P-SV4(92)	CL578-0587-4-92	140	44	49	34.2	68.4	72	72.4

NOTE 1 1 REEL : 500 CONNECTORS
② NUMBER OF CONTACTS



2	POLYESTER	(TOP COVER TAPE)			(CONNECTOR)		
1	PS/△	(EMBOSSED CARRIER TAPE)	3				
NO.	MATERIAL	FINISH, REMARKS	NO.	MATERIAL	CHECKED	APPROVED	REMARKS
CL	CL		S. SUZUKI	K. NAKAMURA	H. OKAWA	Y. YOSHIMURA	
			03.02.04	03.02.12	03.02.14	03.02.15	
DRAWING NO. EDC3-151089-22			PART NO. FX8C-**-P-SV4(92)				
SCALE FREE			CODE NO. CL578				
UNITS			HIRSE ELECTRIC CO., LTD				

TO
PCK