

Telpower® Fused Disconnect

60 Volt, 70-800 Amps

15200



15200

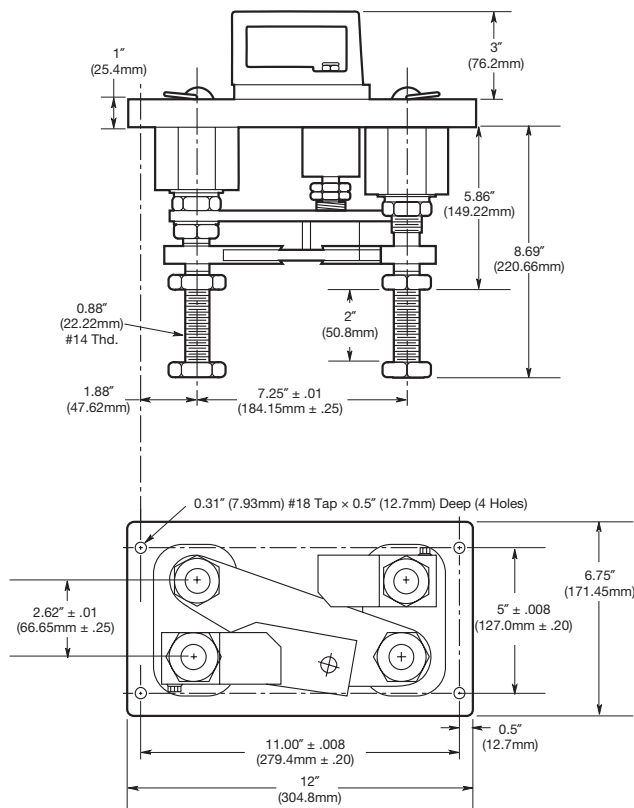
Fused Disconnect System

For use with Telpower® Fuses Type TPL.
 Ampere Ratings: 70 to 800A
 Voltage Rating: 60Vdc
 UL Withstand Rating: 100,000A
 Agency Information: **CE**
 UL Recognized, File E97649

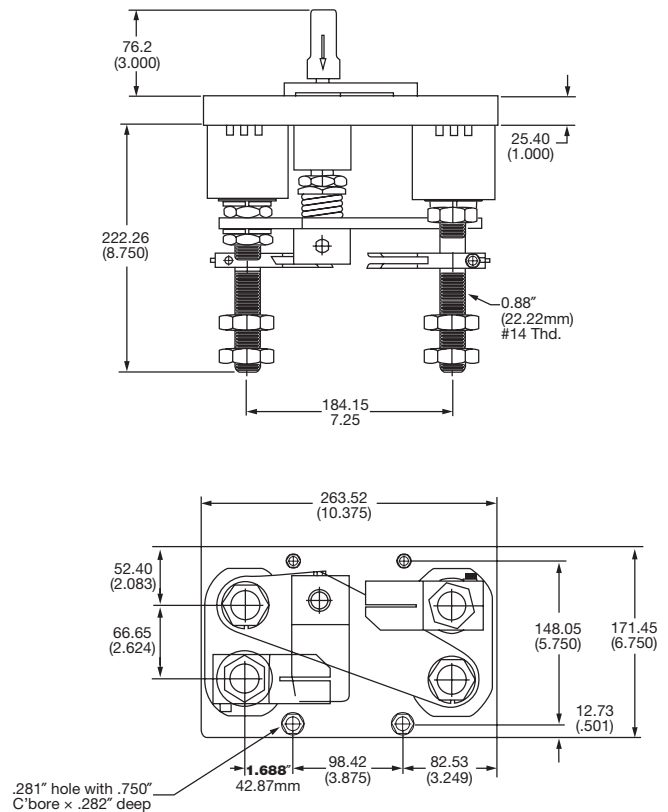
Catalog Numbers

15200-602	For use with TPL 70 to 800A
15200-609	For use with TPL 70 to 800A

Dimensional Data 15200-602



Dimensional Data 15200-609



The only controlled copy of this Data Sheet is the electronic read-only version located on the Bussmann Network Drive. All other copies of this Data Sheet are by definition uncontrolled. This bulletin is intended to clearly present comprehensive product data and provide technical information that will help the end user with design applications. Bussmann reserves the right, without notice, to change design or construction of any products and to discontinue or limit distribution of any products. Bussmann also reserves the right to change or update, without notice, any technical information contained in this bulletin. Once a product has been selected, it should be tested by the user in all possible applications.