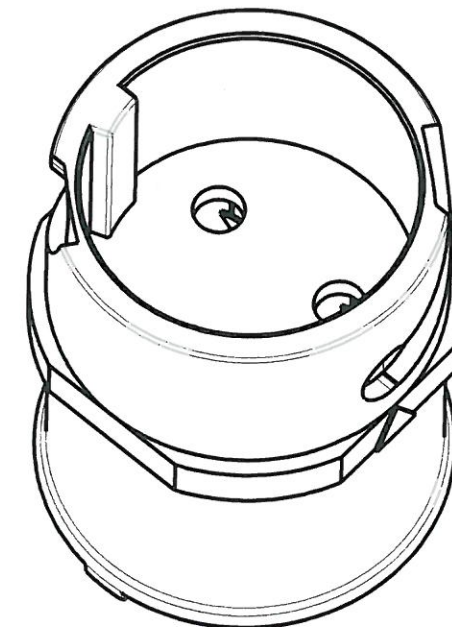
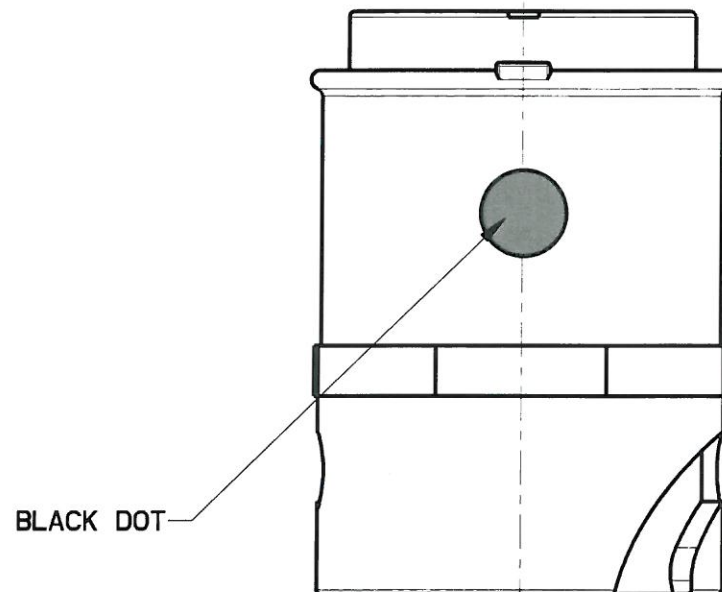
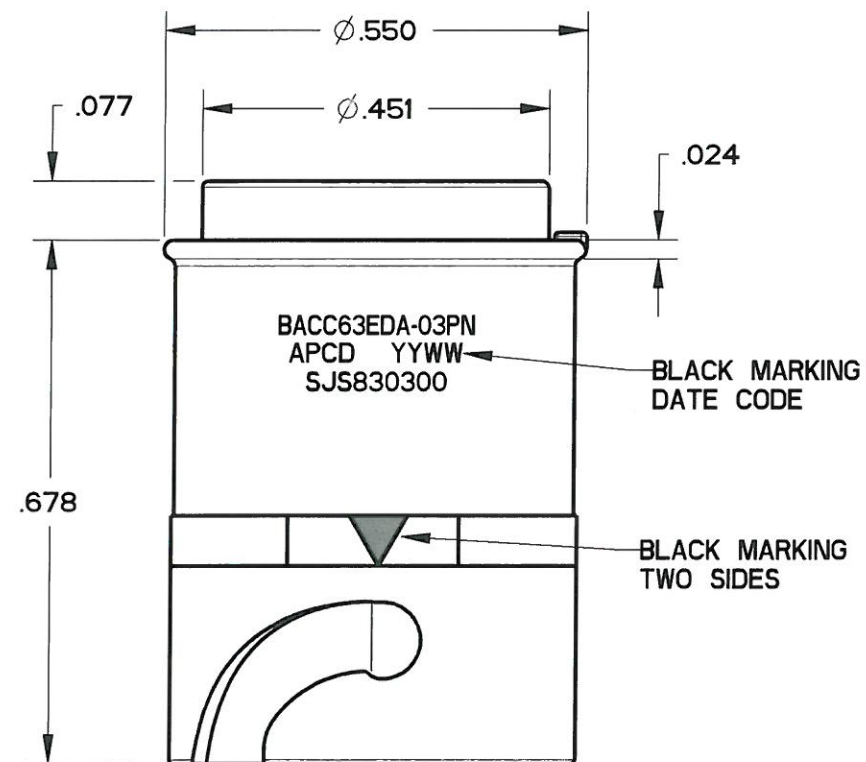
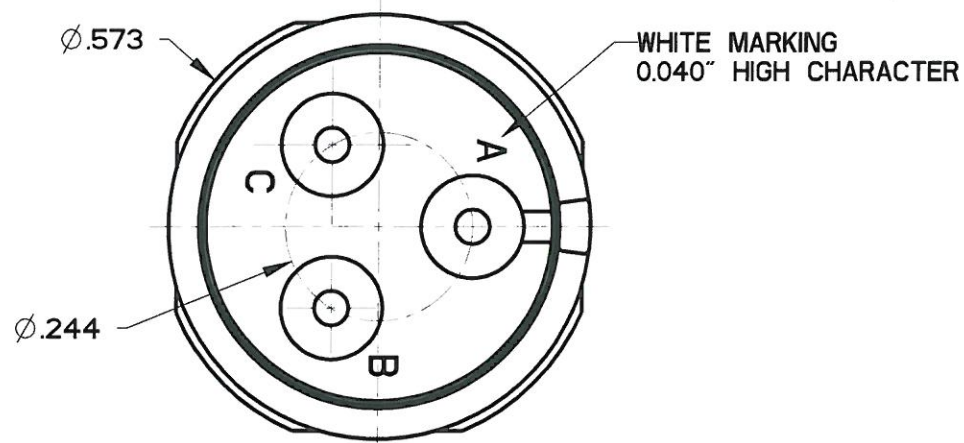


REV	ECN	APP'D
A	6351	JT 09/11/09
B	6473	JT 2/8/10
C	6573	JT 8/30/10



- NOTES:
- MATERIALS:
HOUSING: PA6/6
CONTACT RETAINER: STAINLESS STEEL
GROMMET: SILICONE RUBBER PER A-A-59588
 - MATING CONTACTS: SEE TABLE I
 - TEST SPECIFICATION: BACC63ED
 - PART MATES WITH SJS830310
 - WEIGHT: 1.9 GRAMS
 - SUPPLIED WITH DUST CAP

SJS830300

SJS830300

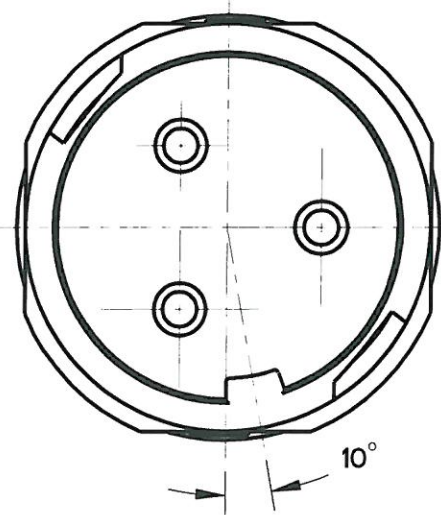


TABLE I

APCD P/N	BOEING P/N	P/N MARKING(S)	CONTACTS SUPPLIED
SJS830300	BACC63EDA-03PNH	BACC63EDA-03PN	NONE
SJS830301	BACC63EDA-03PN	SJS830300	(3) M39029/58-364

DIMENSIONS ANSI Y14.5M UNITS: INCHES Pro/E FILE	TOLERANCES .XX ±0.01 .XXX ±0.005 ANGLES ±1.0°	PROJECTION 	Amphenol Pcd SPECIFICATION DRAWING ENGR Frank.Li 02-Mar-09		TITLE BACC63EDA-03PN 3P SZ16 INLINE WHITE RECEPTACLE FOR SJS		
			ORIGINAL 	THIS DOCUMENT CONTAINS PROPRIETARY INFORMATION WHICH IS THE CONFIDENTIAL PROPERTY OF AMPHENOL PCD INC., BEVERLY, MA		CHKD APPD <i>Tad... 8/30/10</i>	SIZE B
		CODE: 58982		SCALE: 4:1		SHEET 1 OF 1	