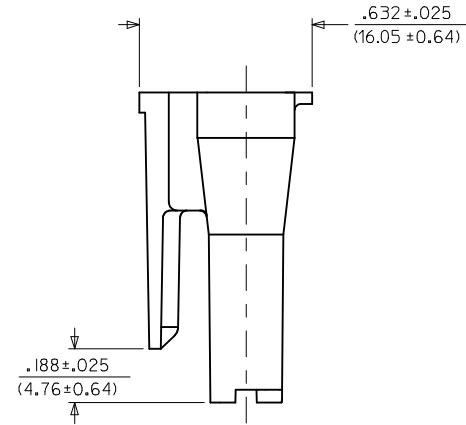
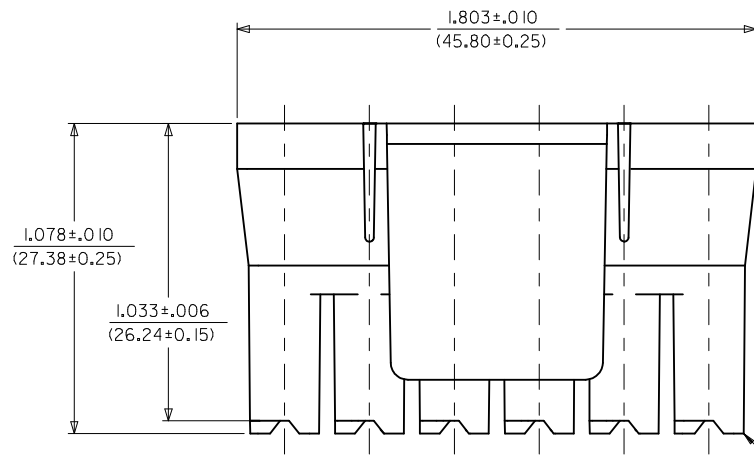
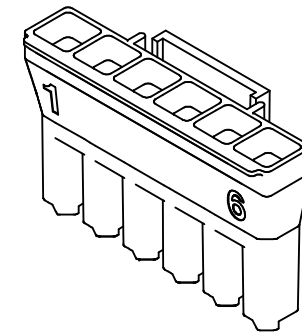
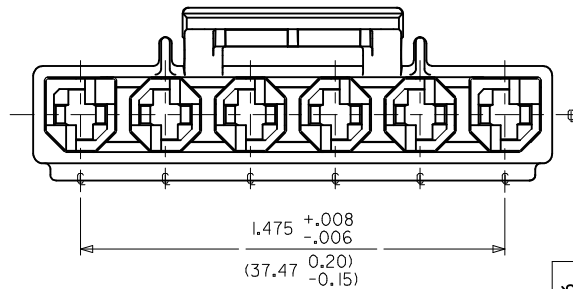


NOTES:

1. MATERIAL: NYLON,UL94V-0,COLOR BLACK.
2. THIS CONNECTOR HOUSING FOR USE WITH 43375-**** TERMINALS.
3. THIS CONNECTOR HOUSING WILL MATE TO A-43160-****6, 43180-****6, AND 43680-****6 HOUSINGS.
4. PRODUCT SPECIFICATION: PSX-4444I-9999.
5. PACKAGING: PK-4444I-001.
6. PART CONFORMS TO CLASS 'B' REQUIREMENTS OF COSMETIC SPECIFICATION PS-45499-002 BUT, MEETS CLASS 'C' REQUIREMENTS FOR BUBBLES, SINK AND DISCOLORATION.



CIRCUIT 1



ADD COSMETIC NOTE 6 EC NO: UCP2012-4200 DRW:NAELHAG 2012/09/06 CHKD:JBELL 2012/09/06 APPR:FSMITH 2012/09/11	QUALITY SYMBOLS	GENERAL TOLERANCES (UNLESS SPECIFIED)		DIMENSION STYLE	SCALE	DESIGN UNITS	THIRD ANGLE PROJECTION
	▽=0	mm	INCH	IN/MM	3:1	INCH	
	▽=0	4 PLACES ± --- ± ---	3 PLACES ± --- ±.010	DRAWN BY DATE	TITLE		
	▽=0	2 PLACES ±0.25 ±.014	1 PLACE ±0.35 ± ---	CHECKED BY DATE	6-CIR. RECEPT. HOUSING .125/(3.18)X.020/(0.51) SABRE - TPA		
REV	DESCRIPTION	ANGULAR ±1/2°		APPROVED BY DATE	MOLEX INCORPORATED		SHEET NO.
C4		DRAFT WHERE APPLICABLE MUST REMAIN WITHIN DIMENSIONS		MATERIAL NO. DATE	DOCUMENT NO.	1 OF 1	
				44441-2006 1995/01/09	SD-44441-2006		
				SIZE THIS DRAWING CONTAINS INFORMATION THAT IS PROPRIETARY TO MOLEX INCORPORATED AND SHOULD NOT BE USED WITHOUT WRITTEN PERMISSION			