

PART NUMBER	REV	FIRST USED	TERMINATOR	FEED TYPE	DESCRIPTION
1528476-1	B	-	LEADMAKER	MECH POST FEED	CUTS CARRIER
1528476-2	B	-	BENCH	MECH PRE FEED	CUTS CARRIER
1528476-6	B	-	LEADMAKER	MECH POST FEED	CONTINUOUS CARRIER
7-1528476-1	B	-	LEADMAKER	MECH POST FEED	-1 AND SPARE PARTS
7-1528476-2	B	-	BENCH	MECH PRE FEED	-2 AND SPARE PARTS
7-1528476-6	B	-	LEADMAKER	MECH POST FEED	-6 AND SPARE PARTS
7-1528476-7	A	-	-	-	SPARE PARTS KIT

CRIMP DATA AMP TERMINAL AMP CRIMP SPECS

TERMINAL NAME: STANDARD POWER TIMER CONTACT Δ

CRIMP	SIZE	TYPE	RANGE
WIRE	2.79 [.110 IN]	F	1.50mm ² -3.00mm ²
INSUL	3.94 [.155 IN]	F	2x 3.4 MAX [2 X .134 IN MAX] Δ

WIRE STRIP LENGTH REFER TO APPL SPEC Δ APPL INSTRUCTION 408-8322 & 408-8490 Δ

TERMINAL APPL SPEC	FEED
114-18037	16.00 [.630 IN]

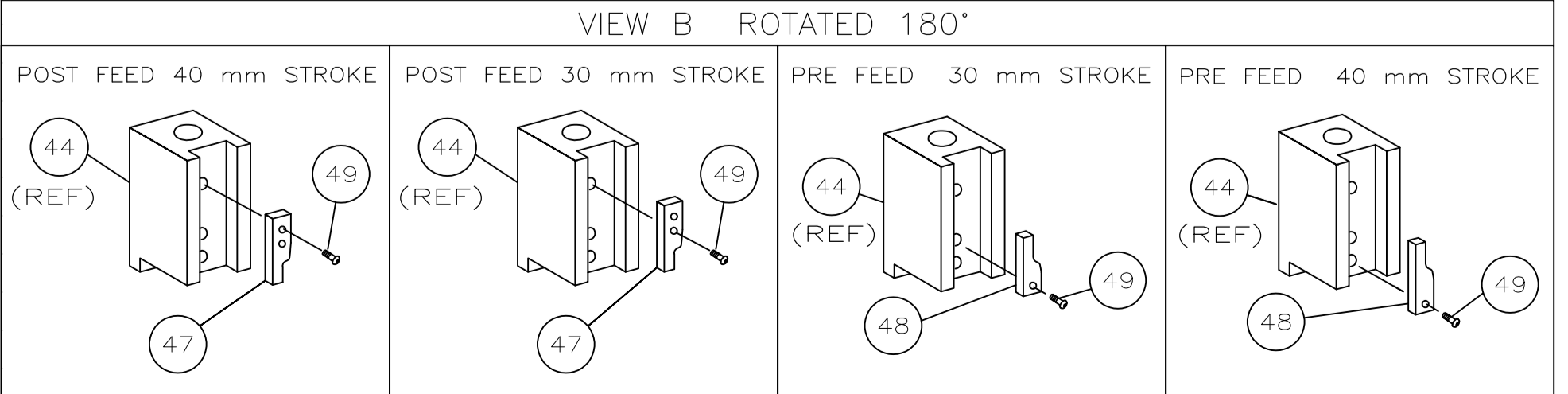
TERMINALS APPLIED

Part No	Rev	Wire Size	Wire Type	Wire Insul	Wire Strip
964204	-	-	-	-	-
964052	-	-	-	-	-
1241174	-	-	-	-	-
-	-	-	-	-	-
-	-	-	-	-	-
-	-	-	-	-	-
-	-	-	-	-	-
-	-	-	-	-	-

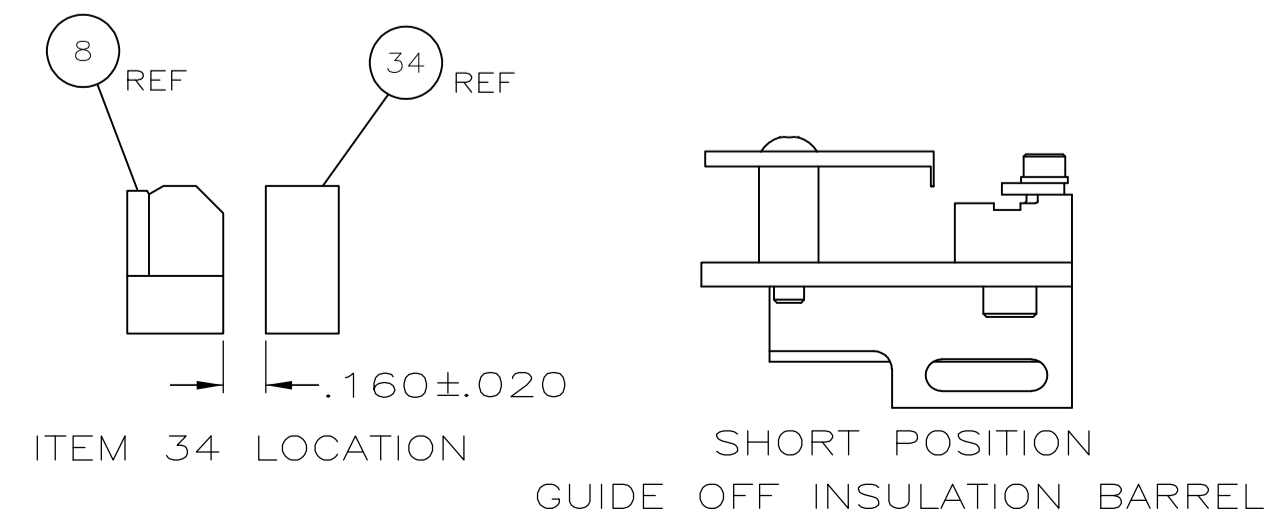
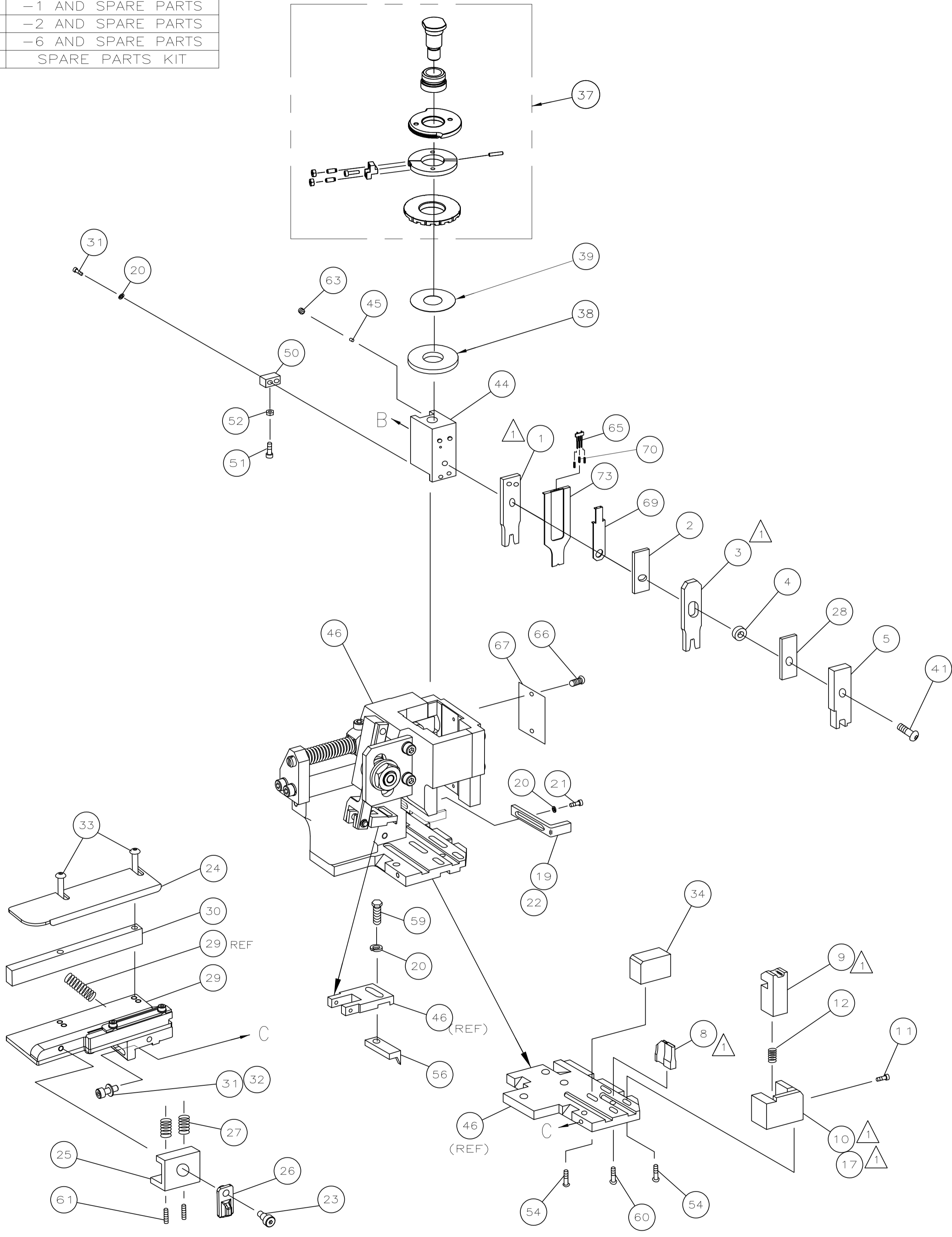
WIRE SIZE mm ² AWG	CRIMP HEIGHT *	REF SETTING
3.00mm ²	2.20 ±0.05 [.087 ±.002 IN]	B 1
14 AWG+20 AWG	2.08 ±0.05 [.082 ±.002 IN]	C 0
2.50mm ²	2.07 ±0.05 [.081 ±.002 IN]	C 2
2.25mm ²	2.01 ±0.05 [.079 ±.002 IN]	C 5
14 AWG	1.96 ±0.05 [.077 ±.002 IN]	C 8
2.00mm ²	1.94 ±0.05 [.076 ±.002 IN]	C 9
1.50mm ²	1.81 ±0.05 [.071 ±.002 IN]	D 8
16 AWG	1.76 ±0.05 [.069 ±.002 IN]	E 4
-	-	-
-	-	-
-	-	-
-	-	-
-	-	-
-	-	-
-	-	-

SET UP GAGE 458637-3	LAYOUT L1528476
----------------------	-----------------

- Δ RECOMMENDED SPARE PARTS.
- 2. GREASE RAM, CAM, CAM FOLLOWER AND FEED ROD LIGHTLY.
- 3. LUBRICATE DAILY PER THE APPLICATOR INSTRUCTION SHEET SUPPLIED WITH THE APPLICATOR.
- Δ THIS APPLICATOR IS DESIGNED FOR DOUBLE WIRE APPLICATION. DOUBLE WIRE INSULATION SIZES CANNOT EXCEED 2 X 3.40MM MAX.



*** WARNING:**
 ON INSTALLATION, SET WIRE DISC TO LARGEST WIRE SIZE SETTING. USE OF SETTINGS BELOW MIN REQUIRED CRIMP HEIGHT SETTING WILL CAUSE DAMAGE TO CRIMP TOOLING.



QTY	REQD	PER	ASSY	PART NO	DESCRIPTION	ITEM NO			
-	1	1	1	1	1	1	1490525-1	DEPRESSOR, WIRE	73
-	1	1	1	1	1	1	1528476	PRINT, APPLICATOR LOG SHEET	72
-	1	1	1	1	1	1	1338705-3	DOCUMENTATION PACKAGE	71
-	3	3	3	3	3	3	2-23147-2	SPRING, DEPRESSOR	70
-	1	1	1	1	1	1	1490524-2	SPACER, DEPRESSOR	69
-	-	-	-	-	-	-	-	-	68
-	1	1	1	1	1	1	461264-5	PLATE, IDENTIFICATION	67
-	2	2	2	2	2	2	21017-2	SCR,DRIVE(#2x.19)ID PLATE	66
-	1	1	1	1	1	1	1424350-1	HOLDER, PIN, WIRED	65
-	-	-	-	-	-	-	-	-	64
-	1	1	1	1	1	1	3-18031-0	SCR,SKT SET(M6X6)RAM	63
-	-	-	-	-	-	-	-	-	62
-	2	2	2	2	2	2	2-18032-5	SCR,SET_FLT_POINT(M5X20)	61
-	1	1	1	1	1	1	18024-7	SCR,BHC(M4X10)ANVIL	60
-	1	1	1	1	1	1	5-18022-2	SCR,HEX(M4X8)FEED FINGER	59
-	-	-	-	-	-	-	-	-	58
-	-	-	-	-	-	-	-	-	57
-	1	1	1	1	1	1	1338685-1	PAWL, FEED	56
-	-	-	-	-	-	-	-	-	55
-	4	4	4	4	4	4	18024-8	SCR,BHC(M4x12)SHEAR HOLDER	54
-	-	-	-	-	-	-	-	-	53
-	1	1	1	1	1	1	18030-1	NUT,HEX(M3)HOLD DOWN	52
-	1	1	1	1	1	1	811242-6	BUMPER, HOLDDOWN	51
-	1	1	1	1	1	1	690753-2	SPACER, TONKER	50
-	1	1	1	1	1	1	18024-3	SCR,BHC(M3X10)CAM	49
-	-	-	-	-	-	-	1338675-1	CAM, PRE FEED 30 & 40 mm ST	48
-	1	-	1	1	-	1	1338676-1	CAM, POST FEED 30 & 40 mm ST	47
-	1	1	1	1	1	1	1320999-3	APPLICATOR BASIC SUBASSY	46
-	1	1	1	1	1	1	690191-1	PLUG, NYLON	45
-	1	1	1	1	1	1	1333257-1	RAM	44
-	-	-	-	-	-	-	-	-	43
-	-	-	-	-	-	-	-	-	42
-	1	1	1	1	1	1	2-18024-6	SCR,BHC(M8X25)RAM	41
-	-	-	-	-	-	-	-	-	40
-	1	1	1	1	1	1	690125-1	SHIM SUBASSY	39
-	1	1	1	1	1	1	1-469367-0	SPACER, FINE ADJUST	38
-	1	1	1	1	1	1	879103-2	FINE ADJUST HEAD SUBASSY	37
-	-	-	-	-	-	-	-	-	36
-	-	-	-	-	-	-	-	-	35
-	1	1	1	1	1	1	1-1320934-3	SUPPORT, TERMINAL	34
-	2	2	2	2	2	2	1-18024-0	SCR,BHC(M4X20)STRIP GUIDE	33
-	1	1	1	1	1	1	18027-2	WASHER, FLAT(M4)	32
-	3	3	3	3	3	3	1-18023-2	SCR,SKT CAP(M4X12)MOUNT BLOCK	31
-	1	1	1	1	1	1	1320908-3	SPACER, STRIP GUIDE	30
-	1	1	1	1	1	1	1633073-2	STRIP GUIDE PLATE ASSY	29
-	1	1	1	1	1	1	1-455888-0	SPACER, FRONT SHEAR DEP	28
-	2	2	2	2	2	2	1-22284-0	SPRING, DRAG	27
-	1	1	1	1	1	1	356835-1	LEVER, DRAG RELEASE	26
-	1	1	1	1	1	1	240792-1	DRAG, TERMINAL	25
-	1	1	1	1	1	1	1320928-1	PLATE, STRIP GUIDE	24
-	1	1	1	1	1	1	980371-4	SCR,SHC SHLD	23
-	1	-	1	1	-	1	690472-2	STRIPPER	22
-	1	1	1	1	1	1	1-18023-1	SCR,SHC(M4X10)STRIPPER	21
-	4	4	4	4	4	4	18025-2	WASHER,LOCK(M4)STRIPPER	20
-	-	-	-	-	-	-	690472-1	STRIPPER	19
-	-	-	-	-	-	-	-	-	18
-	1	-	-	1	-	-	1338684-1	HOLDER, SHEAR, FRONT (NO-CUT)	17
-	-	-	-	-	-	-	-	-	16
-	-	-	-	-	-	-	-	-	15
-	-	-	-	-	-	-	-	-	14
-	-	-	-	-	-	-	-	-	13
-	1	1	1	1	1	1	3-22280-3	SPRING, SHEAR	12
-	1	1	1	1	1	1	356885-4	STOP, SHEAR	11
-	-	1	1	-	1	1	1320921-1	HOLDER, SHEAR, FRONT (CUT)	10
-	1	1	1	1	1	1	454276-1	SHEAR, FLOAT (FRONT)	9
-	1	2	2	2	1	1	4-1333207-7	ANVIL	8
-	-	-	-	-	-	-	-	-	7
-	-	-	-	-	-	-	-	-	6
-	1	1	1	1	1	1	2-455889-1	DEPRESSOR, SHEAR (FRONT)	5
-	1	1	1	1	1	1	238011-4	SPACER, BLOCK CRIMPER	4
-	1	2	2	2	1	1	3-1424909-3	CRIMPER, INSULATION	3
-	1	1	1	1	1	1	455888-1	SPACER, CRIMPER	2
-	1	2	2	2	1	1	2-456408-8	CRIMPER, WIRE	1
-	-77	-76	-72	-71	-6	-2	-1	-	-

THIS DRAWING IS A CONTROLLED DOCUMENT.

DIN L1528476 25NOV04
 CHK: -
 Tyco Electronics Corporation
 Harrisburg, PA 17105-3608

APVD: F-BACKHURST 25NOV04
 NAME: FINE ADJ SIDE FD HD-1 APPL

PRODUCT SPEC: -
 APPLICATION SPEC: -
 MATERIAL: -
 FINISH: -

SIZE: A1
 CASE CODE: 00779
 DRAWING NO: 1528476
 RESTRICTED TO: -

CUSTOMER DRAWING: -
 SCALE: -
 SHEET: 1 of 1
 REV: B1